

FEATURES AND SPECIFICATIONS

Features and Benefits

- Designed for use with strain relief or overmold applications
- Positive housing lock for secure mating retention
- Fully isolated terminals to protect contacts from damage
- Uses standard Mini-Fit series terminals
- 1-piece strain relief available (41995 series) for use with Mini-Fit, Jr. single row receptacles

Reference Information

Product Specification: PS-5556-0001

Packaging: Tray or bag

UL File No.: E29179

CSA File No.: LR19980

TUV License No.: R75142

Mates With: [5559](#), [5566](#), [5569](#), [42404](#), [42440](#), [42475](#),

[43810](#), [43879](#) and [44068](#) dual row connectors

Use With: [5556](#) or 44476 terminals

Designed In: Millimeters

Mechanical

Contact Insertion Force: 1.5kg max.

Contact Retention to Housing: 3.0kg min.

Wire Pull-Out Force: 9.0kg min.

Insertion Force to PCB: 5.0kg max.

Mating Force: 0.7kg (1.54 lb) max.

Unmating Force: 0.35kg (0.7 lb) min.

Normal Force: 200g min.

Durability: 30 cycles

Physical

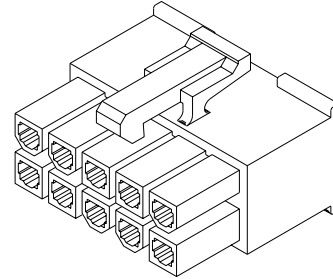
Housing: 6/6 nylon, UL 94V-2 or 94V-0

Operating Temperature: -40 to +105°C

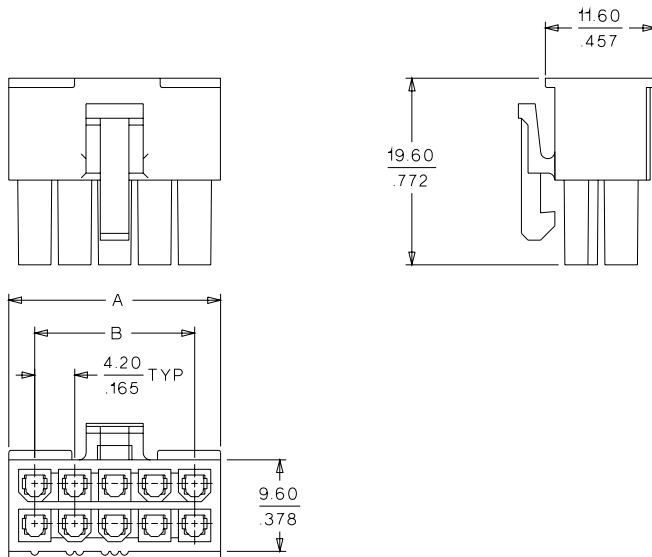
molex® 4.20mm (.165") Pitch Mini-Fit, Jr.™ Receptacle

5557

Dual Row



CATALOG DRAWING (FOR REFERENCE ONLY)



	Order No.
Polarizing Key	15-04-0211

ORDERING INFORMATION AND DIMENSIONS

Circuits	Order No.				Dimension	
	For Use with Strain Relief		Not for Use with Strain Relief		A	B
	94V-2	94V-0	94V-2	94V-0		
2	39-01-3022	39-01-3028	• 39-01-2020	• 39-01-2025	5.40 (.213)	
4	39-01-3042	39-01-3048	• 39-01-2040	• 39-01-2045	9.60 (.378)	4.20 (.165)
6	• 39-01-2060	• 39-01-2065			13.80 (.543)	8.40 (.331)
8	• 39-01-2080	• 39-01-2085			18.00 (.709)	12.60 (.496)
10	• 39-01-2100	• 39-01-2105			22.20 (.874)	16.80 (.661)
12	• 39-01-2120	• 39-01-2125			26.40 (1.039)	21.00 (.827)
14	• 39-01-2140	• 39-01-2145			30.60 (1.205)	25.20 (.992)
16	• 39-01-2160	• 39-01-2165			34.80 (1.370)	29.40 (1.158)
18	• 39-01-2180	• 39-01-2185			39.00 (1.535)	33.60 (1.323)
20	• 39-01-2200	• 39-01-2205			43.20 (1.701)	37.80 (1.488)
22	• 39-01-2220	• 39-01-2225			47.40 (1.866)	42.00 (1.654)
24	• 39-01-2240	• 39-01-2245			51.60 (2.031)	46.20 (1.819)

• US Standard Product, available through Molex franchised distributors