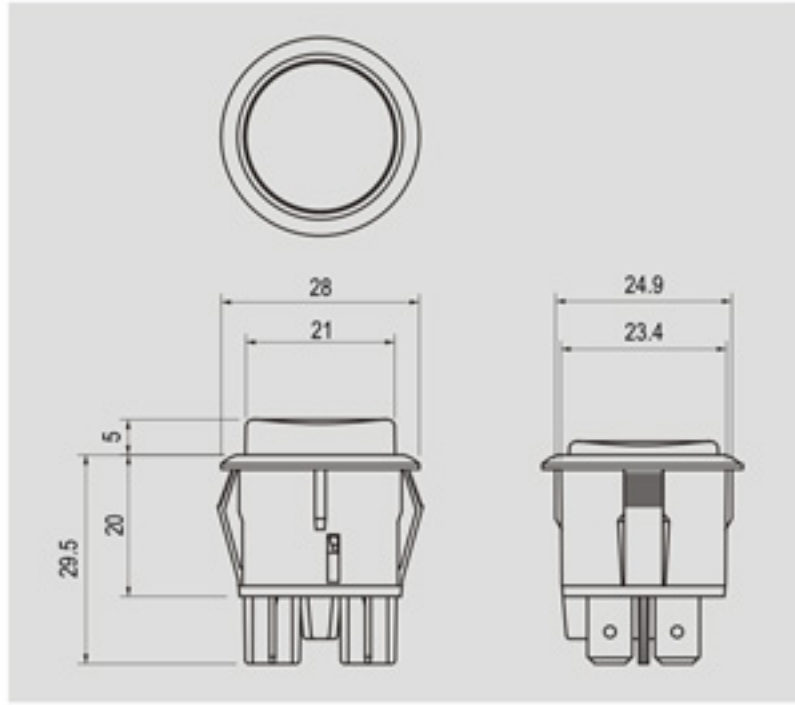
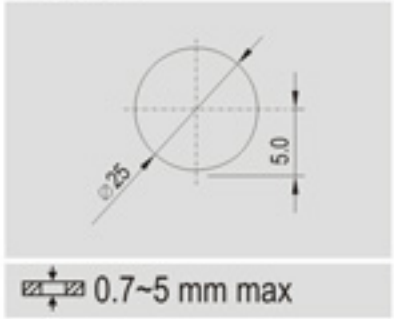


# R13-541



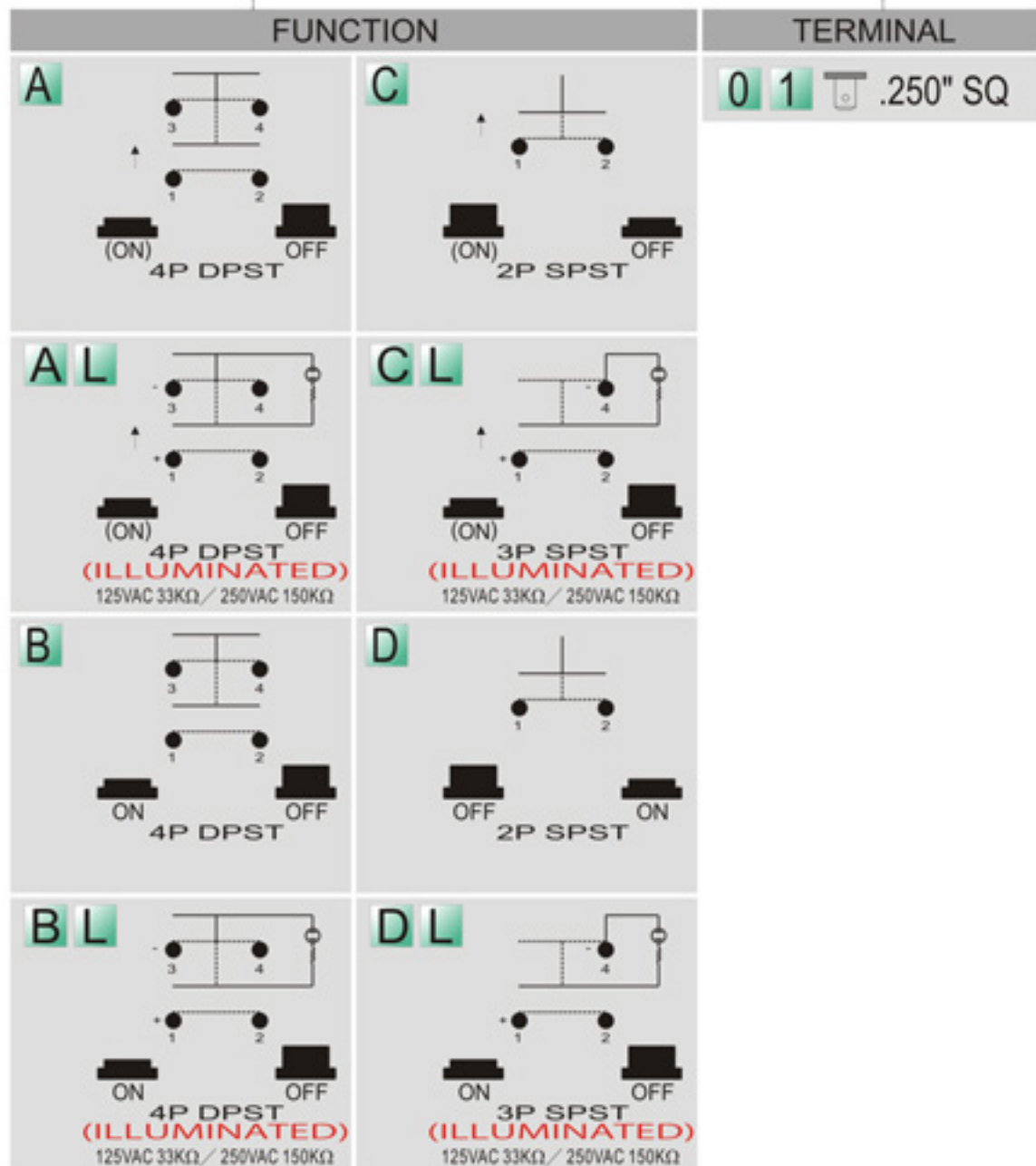
<b>Rating</b>
16A 125V AC 1/2HP 16A 250V AC 1HP
<b>Contact resistance</b>
50mΩ Max
<b>Insulation resistance</b>
DC 500V 100MΩ Min
<b>Dielectric strength</b>
AC 1500V 1 minute
<b>Cut-out</b>



## FEATURES

- \*MATERIAL: Frames are nylon (UL flame: 94V-2). Terminals are silver plated brass.
- \*Illuminated actuators are molded in PC, available with red, amber and green colors.
- \*Snap-in mounting, easy to install switch into panel.

## R13-541 ■ ■ - ■ ■



\* ( ) =momentary