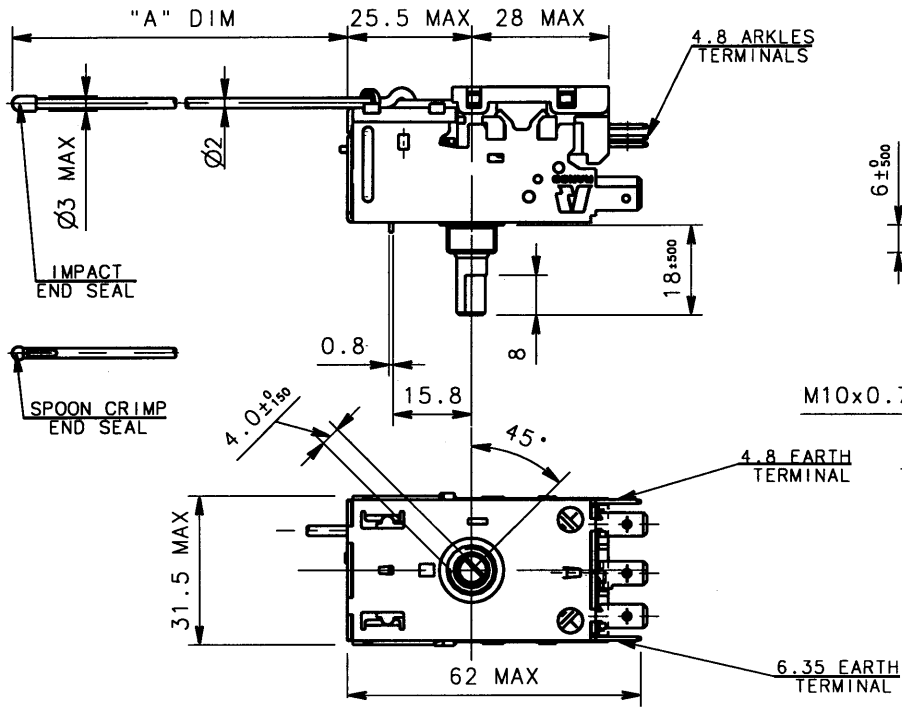
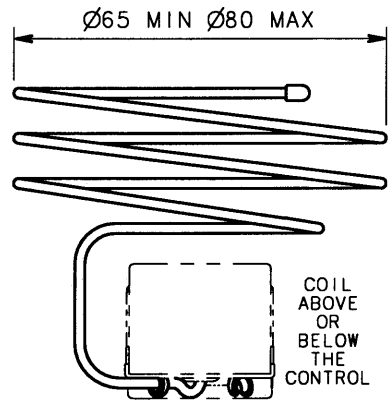


A
B
C
D
E

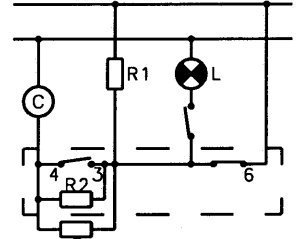
CONTROL SHOWN IN COLD POSITION



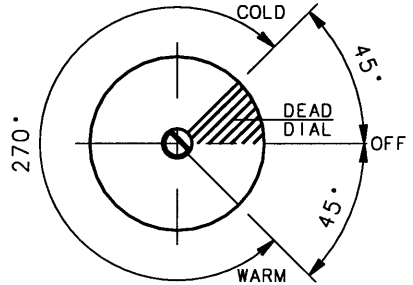
CAPILLARY DELIVERY FORM
(DIALSHAFT, BUSH ETC.
OMITTED ON THIS VIEW).



TYPICAL WIRING DIAGRAM



3-4 = MAIN SWITCH CLOSSES ON TEMP RISE
3-6 = AUX. SWITCH OPENS IN OFF POSITION
C = COMPRESSOR
L = LAMP
R = DEFROST HEATER
R1 = COLLAR HEATER
R2 = HEATING RESISTOR INTERNAL (82KΩ)



RCL USE MTG. NUT 58175-3

DRN	ENG	CHK	REV DATE	REV
REVISIONS				
B.F.	S.P.	S.P.		B
SINGLE 4.8 TERMINALS WAS 4.8 TWIN				0504012L
IT IS NOT ALLOWED TO REPRODUCE OR GIVE THIS DRAWING TO ANY PERSONS OR COMPANY WITHOUT WRITTEN PERMISSION FROM RANCO.				
ALL DIM. IN mm		ALL TOL. IN μm		
DIMENSIONS WITHOUT TOLERANCE				
0 - 6: ±150		>18 - 50: ±300		▶ ± 4°
>6-18: ±200		> 50: ±400		
PART NO.	USED ON	DRN:	3 PLACE DEC.DIM.	
SCALE:	K59	ENG: AL	±	
1 : 1	DO NOT SCALE	CHK: SP	2 PLACE DEC.DIM.	
TITLE: OUTLINE DIMENSION DRAWING TYPE K59 CONTROL				
DWG. SIZE	DEV. NO.	RIC 9129-K59-1		
A3	DWG. NO.	8410770		
				SHEET 1 of 1

DESCRIPTION	PART N°	SHIP UNASSEMBLED	CUSTOMER PART N°	CODE	"A" DIM TOL mm	FILL	OUT	IN	OUT	IN	OUT	IN	IN
NUT	58175-4	1											
CUSTOMER SETTINGS AND TOLERANCES °C AT 750 mm Hg													
			K59-L2683		900 ⁺⁴⁰ ₀	R290	-30.3±1.2				-16.2±2.2		+3.9±1.0
CUSTOMER SETTINGS AND TOLERANCES °C AT 737 mm Hg													
					BELLEWS		COLD		NORMAL		WARM		CONSTANT