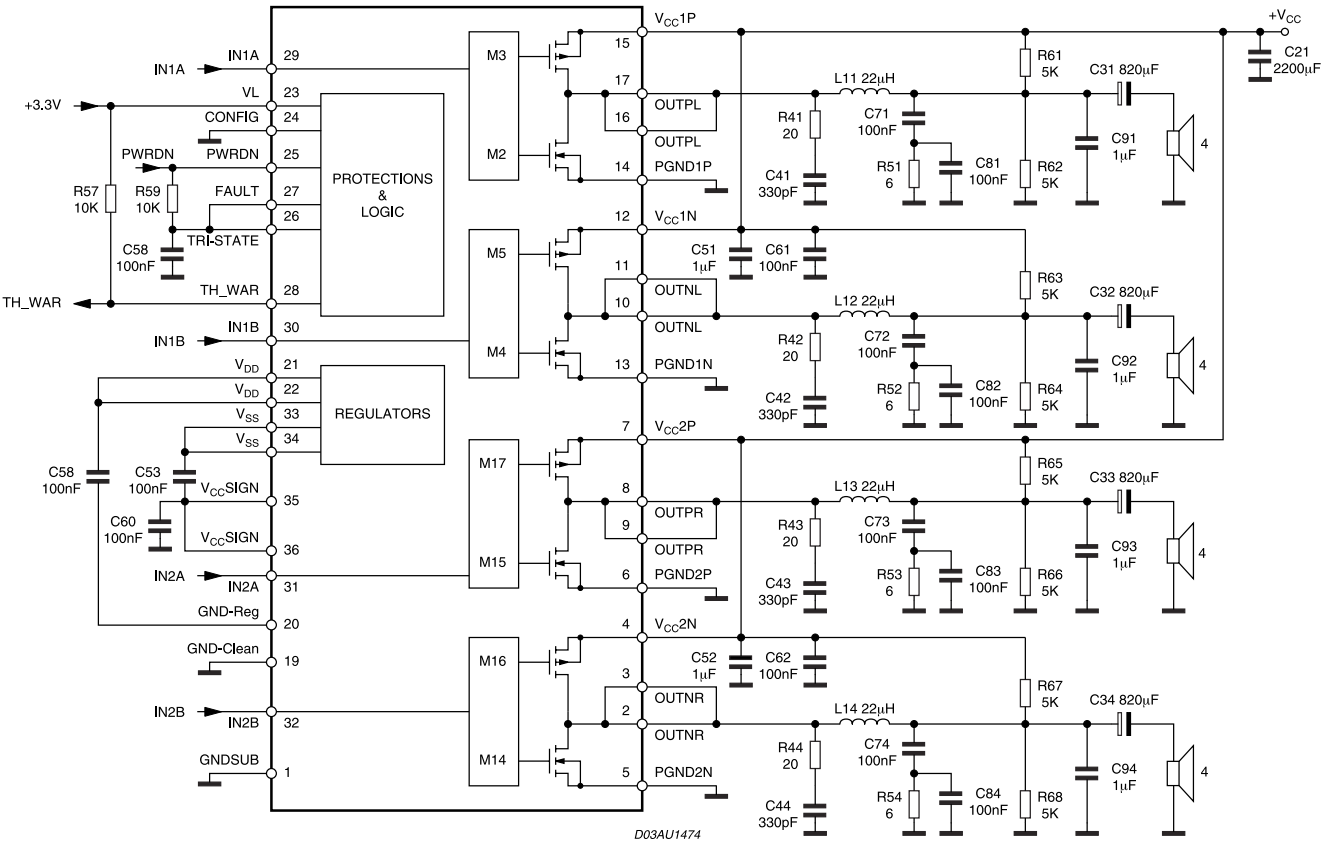
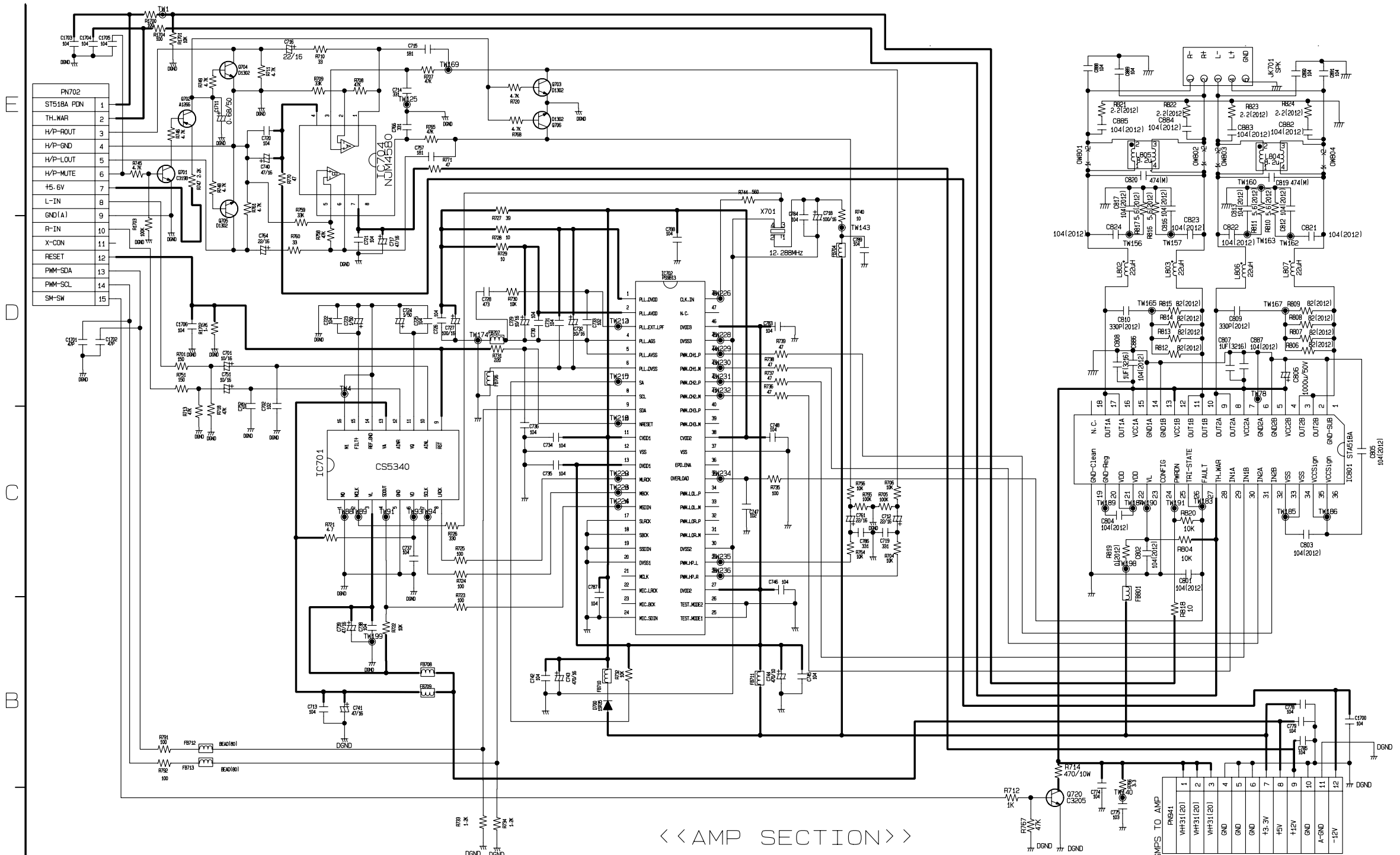


• STA518A (XXXX) AUDIO APPLICATION CIRCUIT



AMP SCHEMATIC DIAGRAM



PN702	
ST518A PDN	1
TH-WAR	2
H/P-ROUT	3
H/P-GND	4
H/P-LOUT	5
H/P-MUTE	6
H5.6V	7
L-IN	8
GND(A)	9
R-IN	10
X-CON	11
RESET	12
PWM-SDA	13
PWM-SCL	14
SM-SW	15

<< AMP SECTION >>

DIMENSIONAL TOLERANCE

SMPS TO AMP	
PN841	
VH31(20)	1
VH31(20)	2
VH31(20)	3
GND	4
GND	5
GND	6
43.3V	7
45V	8
412V	9
GND	10
A-GND	11
-12V	12
DGND	