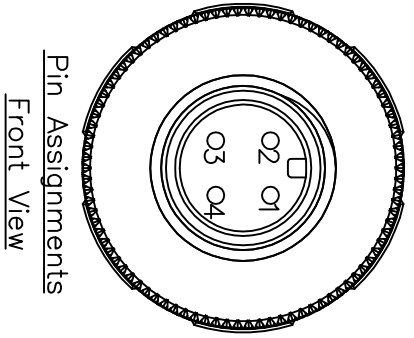
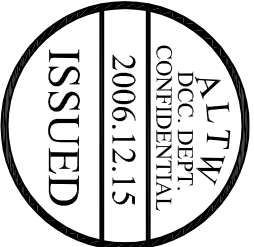
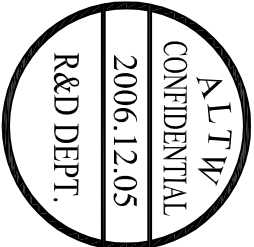
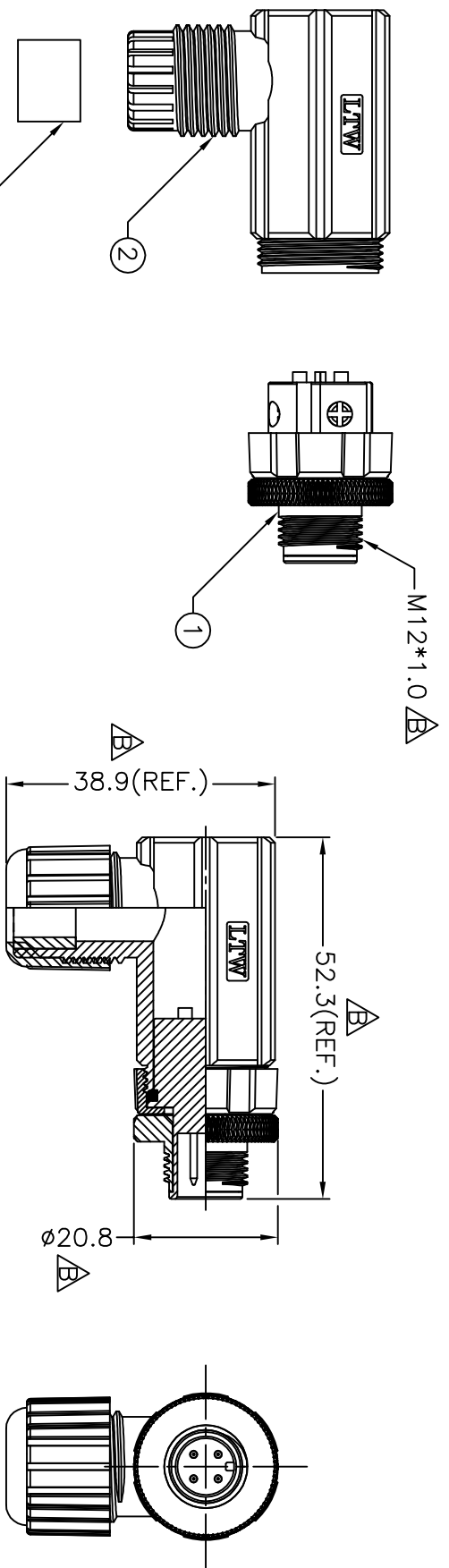


REV. B	ECON. NO. 1F3-6C0066	DATE 2006/11/20	SIGN Cloud	DESCRIPTION Modify the Note and dimension.
--------	----------------------	-----------------	------------	--



- Note:**
- * Waterproof Rate : IP67
 - * Connector:Black,Nylon+GF
 - * Pin:Copper Alloy,Gold Plated
 - * O-Ring:Black,EPDM.
 - * Holder:Black,Nylon+GF
 - * Clamp Ring:Black,Nylon 66.
 - * Gasket:Black,EPDM.
 - * Sealing Nut:Black,Nylon 66.
 - * Nut:Copper Alloy,Nickel Plated
 - * Seals For Cable OD $\phi 4.5\text{mm} \sim \phi 6.0\text{mm}$
 - * Temperature Range: $-40^{\circ}\text{C} \sim +85^{\circ}\text{C}$.

UNIT:mm		TITLE		ITEM NO		DRAWN BY		DATE	
TOLERANCE		M12 Screw In Male Conn		12-04BMNB-SR7001		Cloud		2006/12/05	
.X		Free		DMG NO		CHECKED BY		DATE	
XX		4Pin A Code		12-04BMNB-SR7001		Simon Hung		2006/12/07	
XXX		SCALE		CUSTOMER		APPROVED BY		DATE	
ANGLES		B		ALTW		Max		2006/12/12	
±0.25		SHEET 1 OF 1							
±0.1		①: Inspection Item							
±0.05									
±1°									