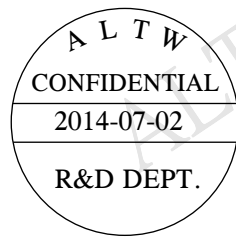
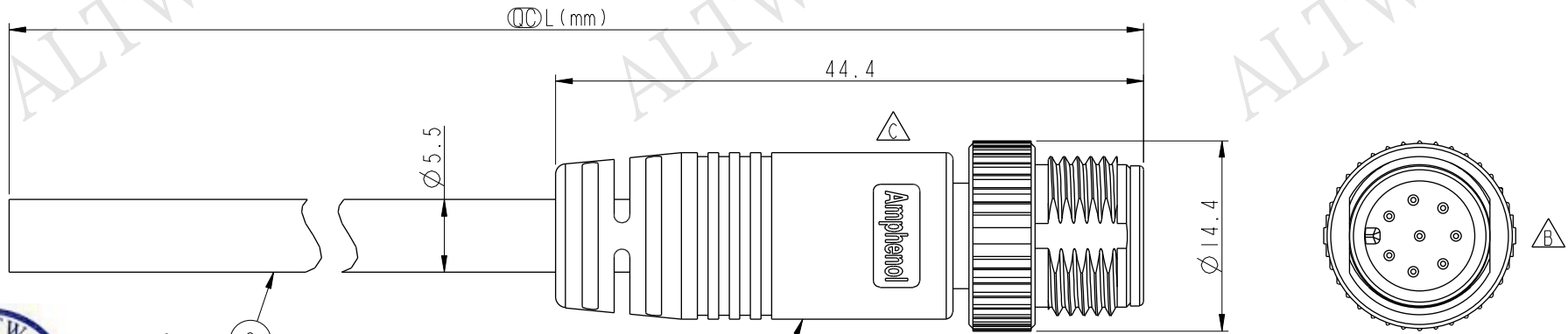


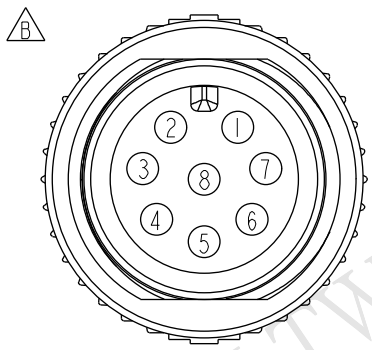
REV.	ECN NO.	DATE	SIGN	DESCRIPTION
B	LEN-930943-946	2009/01/14	Prune	Update the drawing.
C	LEN1470091-095	2014/07/02	Aric	Added New Logo.



12-08AMMM-SL7000
Color: Black

12-08AMMM-SL7AXX
 XX: 01~99Meters
 01: 01Meter
 02: 02Meters
 ...
 99: 99Meters
 Cable Length(L): 01~99Meters

- Notes:
- * \varnothing Important Dimension.
 - * Waterproof Rate: IP67.
 - * Connector: PU, Black.
 - * Male Pin: Copper Alloy, Gold Plated.
 - * Cable: UL2464 24AWG*8C+Talcum, PVC Jacket (UV Resistant), OD=5.5mm, Black.
 - * Cable Length Tolerance:
 - 01M: ±40mm
 - 02M~05M: ±60mm
 - 06M~10M: ±100mm
 - 11M~30M: ±200mm
 - 31M~99M: ±500mm



Pin Assignments
Front View

8	Gray	灰
7	Purple	紫
6	Blue	藍
5	Green	綠
4	Yellow	黃
3	Orange	橘
2	Red	紅
1	Brown	棕
Conn.	Wire Color	

Pin Out

UNIT:mm	
TOLERANCE	±0.5 mm

TITLE	M12 Conn Cable Screw 8P M Conn M Pin		
SCALE	2:1	SIZE	A4
REV.	C	WC-REV.	A.1
		\varnothing	Inspection item

Amphenol LTW
安費諾亮泰企業股份有限公司

ITEM NO	12-08AMMM-SL7AXX	DRAWN BY	Aric	DATE	2014-07-02
DWG NO	12-08AMMM-SL7AXX	CHECKED BY	Kris	DATE	2014-07-02
CUSTOMER	ALTW	APPROVED BY	Wen	DATE	2014-07-02

THIS DOCUMENT IS SUBJECT TO CHANGE WITHOUT NOTICE. IT IS CONFIDENTIAL AND A PROPERTY OF Amphenol LTW. DISCLOSURE TO THIRD PARTY HAS TO BE AUTHORIZED BY Amphenol LTW.