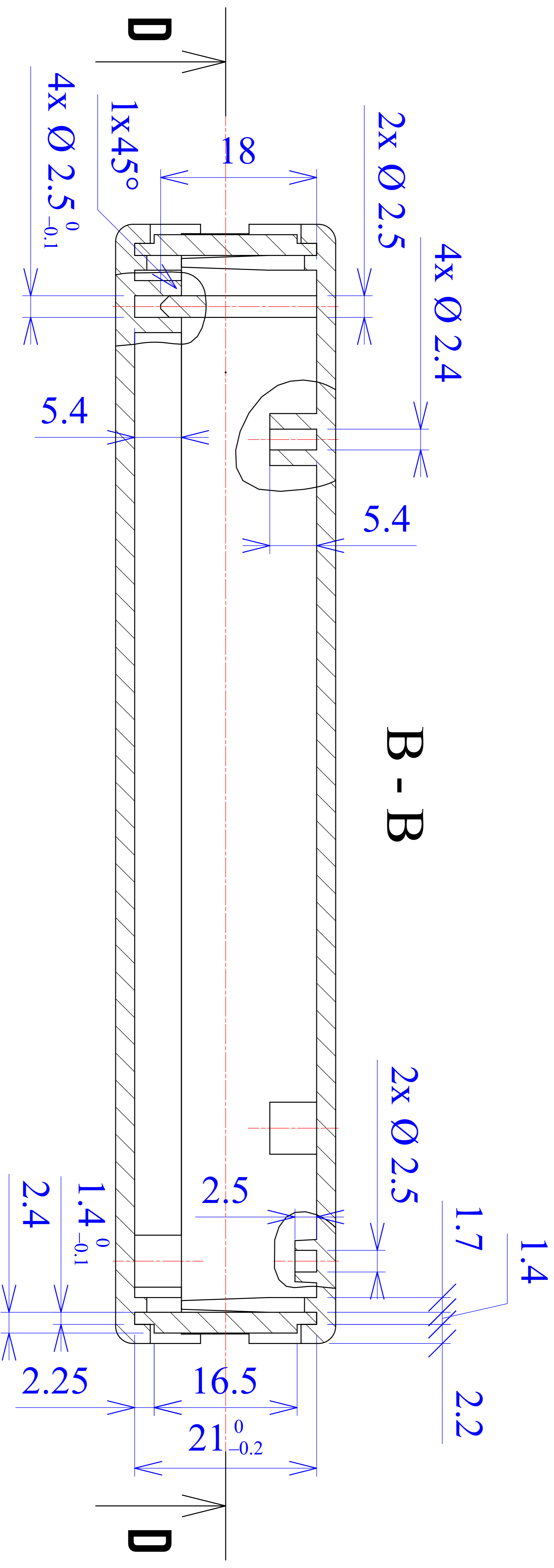


14



2x Ø 2.5

4x Ø 2.4

B - B

2x Ø 2.5

1.4

1.7

2.2

18

5.4

2.5

16.5

21⁰_{-0.2}

D

D

1x45°

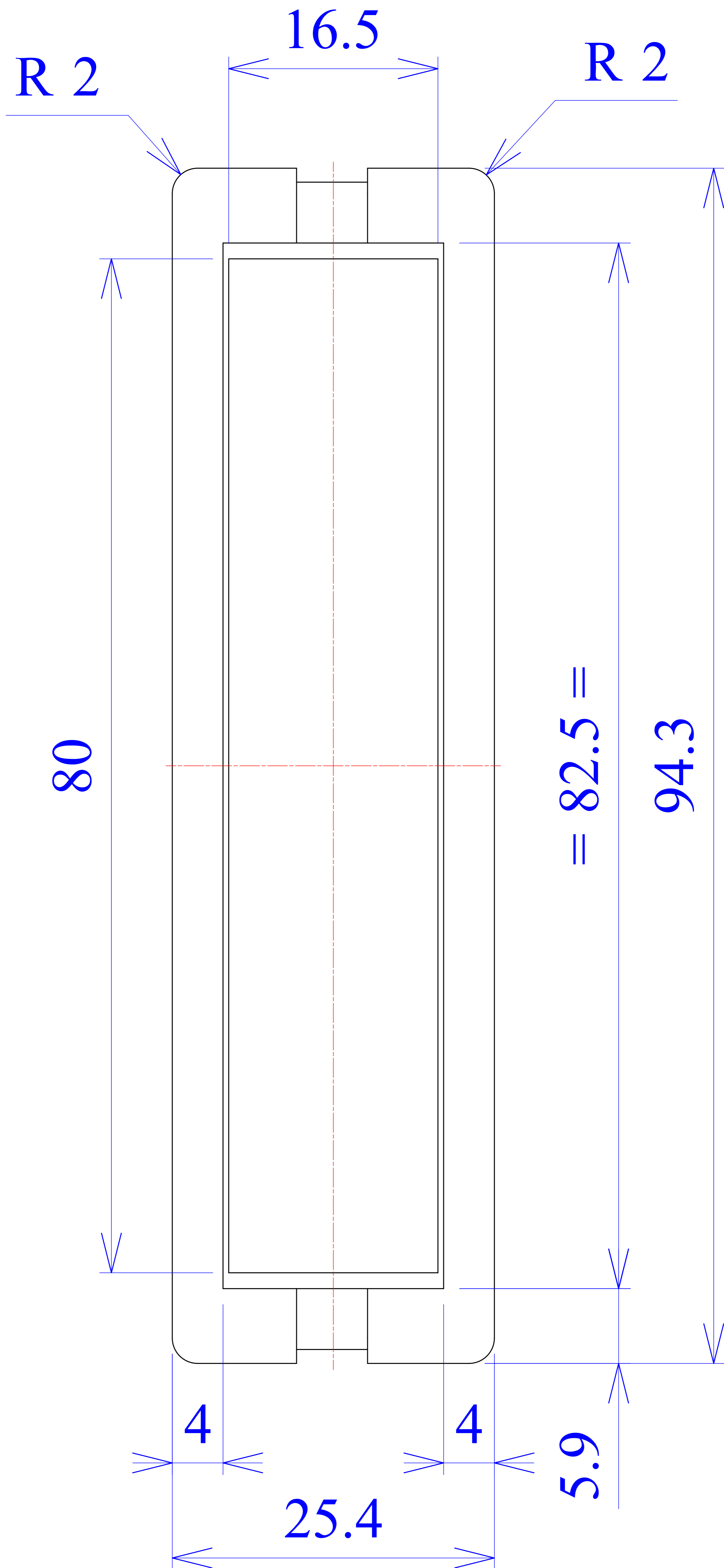
4x Ø 2.5⁰_{-0.1}

5.4

1.4⁰_{-0.1}

2.4

2.25



A - A

