



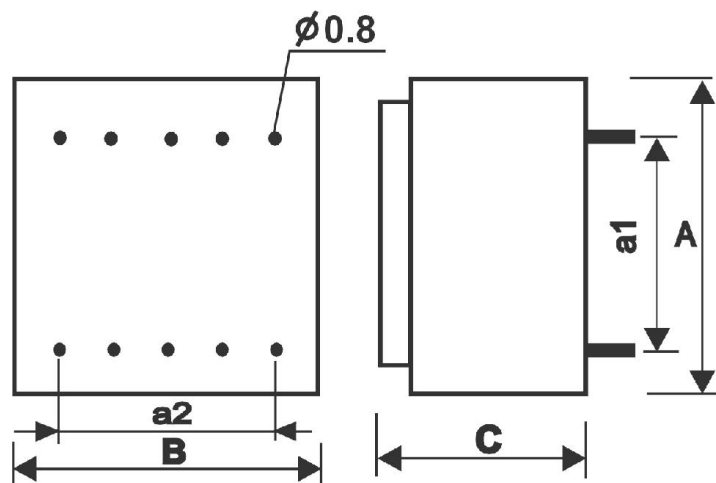
Transformers for printed circuit boards designed chiefly for power supply circuitry assemblies of electronic devices. They feature small dimensions and a compact build as well as having an increased mechanical durability and resilience to climate elements (cast resin). The transformers are made at IP00 protection grade, maximum ambient temperature 40 to 60°C depending on type, thermal class of insulation B (130°C). Manufactured in compliance with EN 61558-2-1 and EN 61558-2-6.



Rated power: 0,5 - 16VA

Rated voltage PRI: 24 - 500 V 50/60 Hz

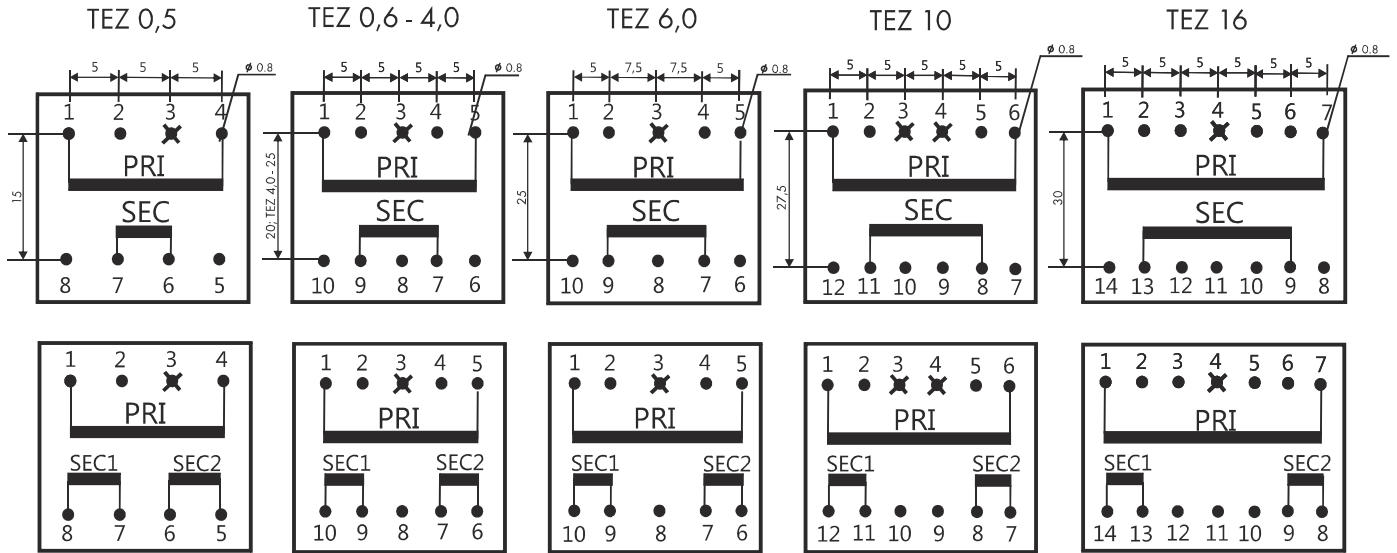
Rated voltage SEC: 6 - 500 V



| Type | Power [VA] | for ta [C] | Dimensions [mm] | | | | | Weight [kg] | Typical leads | | |
|----------|------------|------------|-----------------|----|----|----|----|-------------|---------------|-------|------------|
| | | | A | B | C | a1 | a2 | | PRI | 1xSEC | 2xSEC |
| TEZ 0,5 | 0,5 | 60 | 22 | 24 | 19 | 15 | 15 | 0,05 | 1-4 | 6-7 | 5-6, 7-8 |
| TEZ 1,5 | 1,5 | 60 | 28 | 33 | 22 | 20 | 20 | 0,07 | 1-5 | 7-9 | 6-7, 9-10 |
| TEZ 2,0 | 2,0 | 60 | 28 | 33 | 24 | 20 | 20 | 0,09 | 1-5 | 7-9 | 6-7, 9-10 |
| TEZ 2,5 | 2,5 | 40 | 28 | 33 | 27 | 20 | 20 | 0,10 | 1-5 | 7-9 | 6-7, 9-10 |
| TEZ 2,6 | 2,5 | 60 | 28 | 33 | 30 | 20 | 20 | 0,12 | 1-5 | 7-9 | 6-7, 9-10 |
| TEZ 4,0 | 4,0 | 60 | 35 | 42 | 29 | 25 | 20 | 0,15 | 1-5 | 7-9 | 6-7, 9-10 |
| TEZ 4,5 | 4,5 | 60 | 35 | 42 | 29 | 25 | 20 | 0,15 | 1-5 | 7-9 | 6-7, 9-10 |
| TEZ 6,0 | 6,0 | 40 | 38 | 45 | 32 | 25 | 25 | 0,20 | 1-5 | 7-9 | 6-7, 9-10 |
| TEZ 10,0 | 10,0 | 40 | 44 | 52 | 35 | 28 | 25 | 0,28 | 1-6 | 8-11 | 7-8, 11-12 |
| TEZ 16,0 | 16,0 | 40 | 47 | 57 | 39 | 30 | 30 | 0,42 | 1-7 | 9-13 | 8-9, 13-14 |

Because of the constant development of product construction and changes concerning technical requirements, Breve-Tufvassons Company reserves the right to change the parameters mentioned above.





Because of the constant development of product construction and changes concerning technical requirements, Breve-Tufvassons Company reserves the right to change the parameters mentioned above.