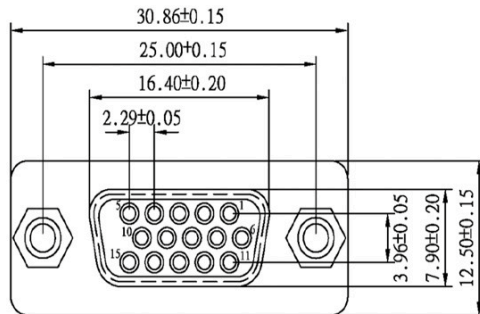
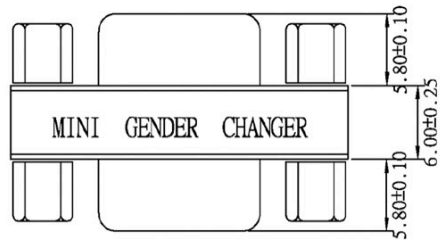
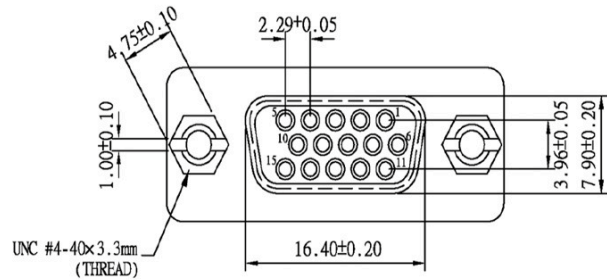
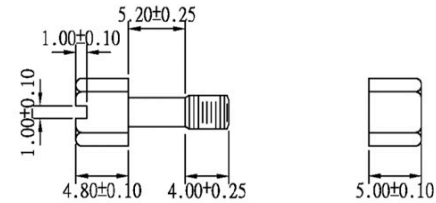


No.	Changes and/or Note No.	Date	Sign	No.	Changes and/or Note No.	Date	Sign

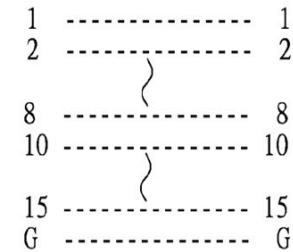


UNC #4-40 Hexscrew    UNC #4-40 Hexnut



HGC 15 F/F GENDER CHANGER

PIN OUT: 15Female    15Female



Label: yellow color with black character

One side: MINI GENDER CHANGER

The other side: U.S.A. PATENT 5199906 GENDER CHANGER

SPECIFICATION

INSULATOR: PBT Glass fibre reinforced UL 94 V0

CONTACT: Brass

CONTACT PLATING: Gold plated over nickel

SHELL: Tin plated shell

CURRENT RATING: 3 AMP

DIELECTRIC STRENGTH: 1000V AC for one minute

INSULATOR RESISTANCE: 1000MΩ min at 500V DC

TEMPERATURE: -55°C—+105°C

DATE 26/11/2012	DRAWN	SCALE	MATERIAL TYPE
	APPROVED		REPLACES
	GENDER CHANGER - High Density Female to Female DMGC-HDxxxx-FF		
	DRAWING No. 2401-0101-22		