

## 1.20" (30.60mm) Single Digit 7 Segment Display

### Features:

- \*High segment intensity
- \*Wide viewing angle
- \*Range of colors
- \*Gray face White segment
- \*RoHS compliant

### Available option:

- \*Alternative face and segment color
- \*Alternative font
- \*Cropped terminal pins
- \*Available emitting color
- \*Low current version

### Electro/Optical Characteristics $I_f=20\text{mA}$ $T_a=25^\circ\text{C}$

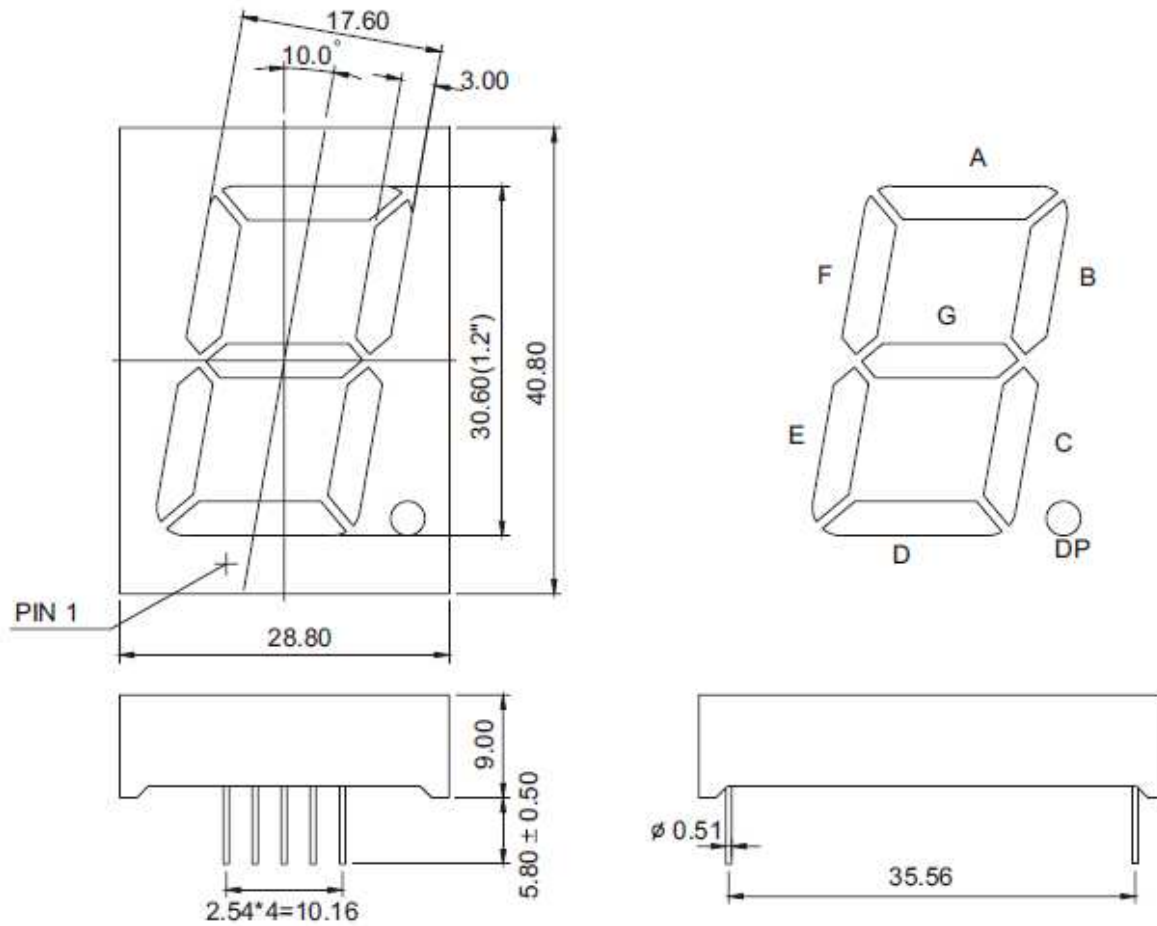
Part Number Common Cathode	Part Number Common Anode	Emitting Color	Peak Wavelength	Forward Voltage $V_F$ /Seg.(DP)		Luminous Intensity $I_v$ /Seg.(DP)	
				Typ.	Max.	Min.	Typ.
LD-S120R-CC	LD-S120R-C	GaP/GaP Red	700	4.50(2.25)	5.00(2.50)	0.80 (0.40)	1.60 (0.80)
LD-S120HR-CC	LD-S120HR-C	GaAlAs/GaAs SH Hi-Red	660	3.60(1.80)	4.40(2.20)	16.00(8.00)	24.00(12.00)
LD-S120SR-CC	LD-S120SR-C	GaAlAs/GaAs DH Super Red	660	3.60(1.80)	4.40(2.20)	44.00(22.00)	56.00(28.00)
LD-S120O-CC	LD-S120O-C	GaAsP/GaP Orange	632	4.20(2.10)	5.00(2.50)	16.00(8.00)	24.00(12.00)
LD-S120Y-CC	LD-S120Y-C	GaAsP/GaP Yellow	585	4.20(2.10)	5.00(2.50)	8.00 (4.00)	14.00(7.00)
LD-S120G-CC	LD-S120G-C	GaP/GaP Green	568	4.40(2.20)	5.00(2.50)	14.00(7.00)	22.00(11.00)
Units			nm	V		mcd	

### Maximum Ratings $T_a=25^\circ\text{C}$ (Derate above $25^\circ\text{C}$ )

Characteristic	Test Condition	Symbol	R	HR	SR	O	Y	G	Units
Pulse Forward Current Per Seg.	1/10 duty cycle 0.1ms Pulse width	$I_{FP}$	50	100	100	100	100	100	mA
DC Forward Current Per Seg.		$I_F$	15	25	25	30	30	30	mA
Reverse Current Per Seg.	$V_R=10\text{V}$	$I_R$	10	10	10	10	10	10	$\mu\text{A}$
Power Dissipation		$P_D$	40*15	60*15	60*15	80*15	80*15	80*15	mW
Operating Temperature		$T_{OPR}$	-40 to +80						$^\circ\text{C}$
Storage Temperature		$T_{TSG}$	-40 to +85						$^\circ\text{C}$
Lead soldering temperature	1.60mm from body maximum 3 seconds		260						$^\circ\text{C}$

# 1.20"(30.60mm)Single Digit 7 Segment Display

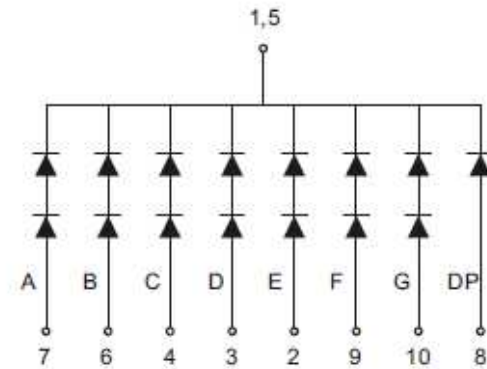
## PACKAGE DIMENSION



Tolerance  $\pm 0.25\text{mm}$  unless stated

## INTERNAL CIRCUIT DIAGRAM

### Common Cathode LD-S120-CC



### Common Anode LD-S120XX-C

