



ANLY SOLID STATE RELAY



FEATURES

- *HIGH RELIABILITY
- *LONG LIFE
- *NO SWITCHING SPARKS
- *NO NOISE
- *NO CONTACT POINTS
- *FAST REACTION
- *UL, C-UL and CE certified

TYPE SELECTION :

CURRENT :

MODEL	TYPE	CURRENT CONTROL	MAX. LOAD CURRENT	LOAD VOLTAGE RANGE	SWITCHING TYPE	WEIGHT
ASR-10CA	Current → AC	4~20mA (DC3.8~10V)	10A	24~280VAC	Phase Control	Approx. 100 g
ASR-15CA			15A			Approx. 100 g
ASR-25CA			25A			Approx. 100 g
ASR-40CA			40A			Approx. 100 g
ASR-50CA			50A			Approx. 100 g
ASR-75CA			75A			Approx. 100 g
ASR-90CA			90A			Approx. 100 g
ASR-10CA-H	Current → AC	4~20mA (DC3.8~10V)	10A	48~480VAC	Phase Control	Approx. 100 g
ASR-15CA-H			15A			Approx. 100 g
ASR-25CA-H			25A			Approx. 100 g
ASR-40CA-H			40A			Approx. 100 g
ASR-50CA-H			50A			Approx. 100 g
ASR-75CA-H			75A			Approx. 100 g
ASR-90CA-H			90A			Approx. 100 g

VARIABLE :

MODEL	TYPE	CONTROL IMPEDANCE	MAX. LOAD CURRENT	LOAD VOLTAGE RANGE	SWITCHING TYPE	WEIGHT
ASR-10RA	VARIABLE	VR0~250KΩ	10A	24~280VAC	Phase Control	Approx. 92 g
ASR-15RA			15A			Approx. 92 g
ASR-25RA			25A			Approx. 95 g
ASR-40RA			40A			Approx. 95 g
ASR-50RA	VARIABLE	VR0~500KΩ	50A	24~280VAC	Phase Control	Approx. 95 g
ASR-75RA			75A			Approx. 95 g
ASR-90RA			90A			Approx. 95 g
ASR-10RA-H	VARIABLE(H)	VR0~1MΩ	10A	48~480VAC	Phase Control	Approx. 95 g
ASR-15RA-H			15A			Approx. 95 g
ASR-25RA-H			25A			Approx. 100 g
ASR-40RA-H			40A			Approx. 100 g
ASR-50RA-H			50A			Approx. 100 g
ASR-75RA-H			75A			Approx. 100 g
ASR-90RA-H			90A			Approx. 100 g

VOLTAGE : (Panel Mount Type)

MODEL	TYPE	INPUT CONTROL VOLTAGE	MAX. LOAD CURRENT	LOAD VOLTAGE RANGE	SWITCHING TYPE	WEIGHT
ASR-10DA	DC → AC	4~32VDC	10A	24~280VAC	ZERO-CROSS	Approx. 90g
ASR-15DA			15A			Approx. 90g
ASR-25DA			25A			Approx. 92g
ASR-40DA			40A			Approx. 92g
ASR-50DA			50A			Approx. 100g
ASR-75DA			75A			Approx. 100g
ASR-90DA			90A			Approx. 100g
ASR-100DA			100A			Approx. 100g
ASR-125DA			125A			Approx. 100g
ASR-10DA-H	DC → AC	4~32VDC	10A	48~480VAC	ZERO-CROSS	Approx. 90g
ASR-15DA-H			15A			Approx. 90g
ASR-25DA-H			25A			Approx. 92g
ASR-40DA-H			40A			Approx. 92g
ASR-50DA-H			50A			Approx. 100g
ASR-75DA-H			75A			Approx. 100g
ASR-90DA-H			90A			Approx. 100g
ASR-100DA-H			100A			Approx. 100g
ASR-125DA-H			125A			Approx. 100g
ASR-10AA	AC → AC	80~280VAC	10A	24~280VAC	ZERO-CROSS	Approx. 92g
ASR-15AA			15A			Approx. 92g
ASR-25AA			25A			Approx. 95g
ASR-40AA			40A			Approx. 95g
ASR-50AA			50A			Approx. 100g
ASR-75AA			75A			Approx. 100g
ASR-90AA			90A			Approx. 100g
ASR-100AA			100A			Approx. 100g
ASR-125AA			125A			Approx. 100g
ASR-10AA-H	AC → AC	80~280VAC	10A	48~480VAC	ZERO-CROSS	Approx. 92g
ASR-15AA-H			15A			Approx. 92g
ASR-25AA-H			25A			Approx. 95g
ASR-40AA-H			40A			Approx. 95g
ASR-50AA-H			50A			Approx. 100g
ASR-75AA-H			75A			Approx. 100g
ASR-90AA-H			90A			Approx. 100g
ASR-100AA-H			100A			Approx. 100g
ASR-125AA-H			125A			Approx. 100g
ASR-05DD	DC → DC	3~32VDC	5A	5~120VDC	N/A	Approx. 95g
ASR-10DD			10A			Approx. 95g
ASR-25DD			25A			Approx. 100g
ASR-40DD			40A			Approx. 100g
ASR-50DD			50A			Approx. 100g
ASR-75DD			75A			Approx. 100g
ASR-10DD-H	DC → DC	3~32VDC	10A	5~240VDC	N/A	Approx. 95g
ASR-25DD-H			25A			Approx. 100g
ASR-40DD-H			40A			Approx. 100g
ASR-50DD-H			50A			Approx. 100g
ASR-75DD-H			75A			Approx. 100g

VOLTAGE : (PCB Type)

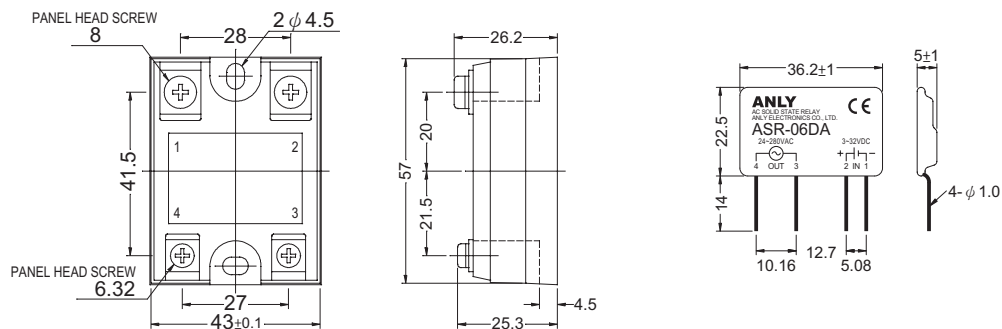
MODEL	TYPE	INPUT CONTROL VOLTAGE	MAX. LOAD CURRENT	LOAD VOLTAGE RANGE	SWITCHING TYPE	WEIGHT
ASR-02DA	DC → AC	3~32VDC	2A	24~280VAC	ZERO-CROSS	Approx. 12g
ASR-03DA			3A			Approx. 12g
ASR-04DA			4A			Approx. 12g
ASR-05DA			5A			Approx. 12g
ASR-06DA			6A			Approx. 12g
ASR-02DA-H	DC → AC	3~32VDC	2A	24~480VAC	ZERO-CROSS	Approx. 12g
ASR-03DA-H			3A			Approx. 12g
ASR-04DA-H			4A			Approx. 12g
ASR-05DA-H			5A			Approx. 12g
ASR-06DA-H			6A			Approx. 12g
ASR-02AA	AC → AC	80~280VAC	2A	24~280VAC	ZERO-CROSS	Approx. 10g
ASR-04AA			4A			Approx. 12g
ASR-06AA			6A			Approx. 12g
ASR-02DD	DC → DC	3~32VDC	2A	3~60VDC	N/A	Approx. 10g
ASR-04DD			4A			Approx. 12g
ASR-02AD	AC → DC	80~280VAC	2A	3~60VDC	N/A	Approx. 10g
ASR-04AD			4A			Approx. 12g

GENERAL DATA :

Type	Current → AC	Current→AC(H)	Type	VARIABLE	VARIABLE(H)	AC→DC
Must Turn Off Voltage	MAX 3.0VDC	MAX 3.0VDC	Must Turn Off Voltage	N/A	N/A	MAX 10VAC
Input Impedance	150Ω	150Ω	Input Impedance	1.5KΩ	1.5KΩ	1.5KΩ
Min Blocking Voltage	600VAC peak	1200VAC peak	Min Blocking Voltage	600VAC peak	1200VAC peak	02, 04AD:80VDC 10, 25AD:140VDC 10, 25AD-H:300VDC
Max Off-State Leakage	LESS 4mA	LESS 4mA	Max Off-State Leakage	LESS 5mA	LESS 15mA	02, 04AD:LESS 1mA 10, 25AD:LESS 3mA 10, 25AD-H:LESS 3mA
Frequency Range	40~65Hz	40~65Hz	Frequency Range	47~70Hz	47~70Hz	47~70Hz
Critical dv/dt Off-State Min.	1000V/μ Sec	1000V/μ Sec	Max Off-State dv/dt	200V/μ Sec	200V/μ Sec	200V/μ Sec
Critical di/dt @50Hz	100A/μ Sec	100A/μ Sec	Max On-State Voltage Drop	2.0VACrms	2.0VACrms	1.2Vrms
Max input Current	50mA	50mA	Isolate Impedance	10 ⁹ Ω	10 ⁹ Ω	10 ⁹ Ω
Dielectric Strength Input -Output	4000Vrms	4000Vrms	Dielectric Strength Input -Output	4000VACrms	4000VACrms	2500Vrms
Dielectric Strength Input, Output-Case	2500Vrms	2500Vrms	Dielectric Strength Input, Output-Case	2500VACrms	2500VACrms	N/A
Pick up Current	4mA	4mA	Turn On Time	LESS 2mSec	LESS 2mSec	LESS 2mSec
Drop out Current	3.5mA	3.5mA	Turn Off Time	LESS 1/2 AC CYCLE	LESS 1/2 AC CYCLE	LESS 1/2 CYCLE
Response time	10mS	10mS	Capacitance In-Out	LESS 15 pF	LESS 15 pF	LESS 15 pF
Non-rep. Surge Current	ASR-10CA:100A ASR-15CA:150A ASR-25CA:250A ASR-40CA:400A ASR-50CA:500A ASR-75CA:750A ASR-90CA:900A	ASR-10CA-H:100A ASR-15CA-H:150A ASR-25CA-H:250A ASR-40CA-H:400A ASR-50CA-H:500A ASR-75CA-H:750A ASR-90CA-H:900A	Max 1-Cycle Peak Surge	ASR-10RA:100A ASR-15RA:150A ASR-25RA:250A ASR-40RA:400A ASR-50RA:500A ASR-75RA:750A ASR-90RA:900A	ASR-10RA-H:100A ASR-15RA-H:150A ASR-25RA-H:250A ASR-40RA-H:400A ASR-50RA-H:500A ASR-75RA-H:750A ASR-90RA-H:900A	ASR-02AD:3A ASR-04AD:8.5A ASR-10AD:15A ASR-25AD:35A ASR-10AD-H:15A ASR-25AD-H:35A

Type	DC→AC	DC→AC(H)	AC→AC	AC→AC(H)	DC→DC	DC→DC(H)
Must Turn Off Voltage	MAX 1.0VDC	MAX 1.0VDC	MAX 10VAC	MAX 10VAC	MAX 1.0VDC	MAX 1.0VDC
Input Impedance	1.5K Ω	1.5K Ω	1.5K Ω	1.5K Ω	1.5K Ω	1.5K Ω
Min Blocking Voltage	600VAC peak	1200VAC peak	600VAC peak	1200VAC peak	02-04DD:80VDC 05-75DD:140VDC	300VDC
Max Off-State Leakage	2-6DA:LESS 5mA 10-125DA:LESS 7.5mA	2-6DAH:LESS 5mA 10-125DAH:LESS 15mA	LESS 5mA	LESS 15mA	02-04DD:LESS 1mA 05DD:LESS 3mA 10DD:LESS 5mA 25-75DD:LESS 7mA	10DD-H:LESS 7mA 25-75DD-H:LESS 15mA
Frequency Range	47~70Hz	47~70Hz	47~70Hz	47~70Hz	47~70Hz	47~70Hz
Max Off-State dv/dt	2-4DA:100V/ μ Sec 6-100DA:200V/ μ Sec	200V/ μ Sec	2-4AA:100V/ μ Sec 6-100AA:200V/ μ Sec	200V/ μ Sec	200V/ μ Sec	200V/ μ Sec
Max On-State Voltage Drop	02-03DA:1.5VACrms 04-100DA:2.0VACrms	2.0VACrms	02AA:1.5VACrms 04-100AA:2.0VACrms	2.0VACrms	02-04DD:1.2Vrms 05-75DD:2.0Vrms	2.0VACrms
Isolate Impedance	10 ⁹ Ω	10 ⁹ Ω	10 ⁹ Ω	10 ⁹ Ω	10 ⁹ Ω	10 ⁹ Ω
Dielectric Strength Input -Output	4000VACrms	4000VACrms	4000VACrms	4000VACrms	02-04DD:2500Vrms 05-100DD:4000VACrms	4000VACrms
Dielectric Strength Input, Output-Case	02-06DA:N/A 10-100DA:2500VACrms	02-06DA-H:N/A 10-100DA-H:2500VACrms	02-06AA:N/A 10-100AA:2500VACrms	2500VACrms	02-04DD:N/A 05-75DD:2500VACrms	2500VACrms
Turn On Time	LESS 2mSec	LESS 2mSec	LESS 2mSec	LESS 2mSec	LESS 2mSec	LESS 2mSec
Turn Off Time	LESS 1/2 AC CYCLE	LESS 1/2 AC CYCLE	LESS 1/2 AC CYCLE	LESS 1/2 AC CYCLE	LESS 1/2 CYCLE	LESS 1/2 CYCLE
Capacitance In-Out	LESS 15 pF	LESS 15 pF	LESS 15 pF	LESS 15 pF	LESS 15 pF	LESS 15 pF
Max 1-Cycle Peak Surge	ASR-02DA:20A ASR-03DA:30A ASR-04DA:40A ASR-05DA:50A ASR-06DA:60A ASR-10DA:100A ASR-15DA:150A ASR-25DA:250A ASR-40DA:400A ASR-50DA:500A ASR-75DA:750A ASR-90DA:900A ASR-100DA:1KA ASR-125DA:1.25KA	ASR-02DA-H:20A ASR-03DA-H:30A ASR-04DA-H:40A ASR-05DA-H:50A ASR-06DA-H:60A ASR-10DA-H:100A ASR-15DA-H:150A ASR-25DA-H:250A ASR-40DA-H:400A ASR-50DA-H:500A ASR-75DA-H:750A ASR-90DA-H:900A ASR-100DA-H:1KA ASR-125DA-H:1.25KA	ASR-02AA:20A ASR-04AA:40A ASR-06AA:60A ASR-10AA:100A ASR-15AA:150A ASR-25AA:250A ASR-40AA:400A ASR-50AA:500A ASR-75AA:750A ASR-90AA:900A ASR-100AA:1KA ASR-125AA:1.25KA	ASR-10AA-H:100A ASR-15AA-H:150A ASR-25AA-H:250A ASR-40AA-H:400A ASR-50AA-H:500A ASR-75AA-H:750A ASR-90AA-H:900A ASR-100AA-H:1KA ASR-125AA-H:1.25KA	ASR-02DD:3A ASR-04DD:8.5A ASR-05DD:25A ASR-10DD:50A ASR-25DD:100A ASR-40DD:200A ASR-50DD:250A ASR-75DD:375A	ASR-10DD-H:50A ASR-25DD-H:100A ASR-40DD-H:200A ASR-50DD-H:250A ASR-75DD-H:375A

OUTLINE DIMENSIONS : mm



ANLY ELECTRONICS CO., LTD.

<http://www.anly.com.tw>

TAIWAN MAIN OFFICE : ANLY ELECTRONICS CO., LTD.

No.19, Lane 202, Fushou St., Shinjuang City, Taipei, Taiwan 242
TEL: +886-2-2996-3202 FAX: +886-2-2996-2017

MALAYSIA BRANCH : JUSTY ELECTRONICS (M) SDN, BHD.

No.1, Jalan 6/89B, Kawasan Perindustrian Trisegi, Batu 3 1/2 Off Jalan Sungei Besi, 57100 Kuala Lumpur, Malaysia
TEL: +60-3-7983-5758 FAX: +60-3-7981-5052

HONG KONG BRANCH : ANLY ELECTRONICS (HK) LTD.

Flat K, 13/F, Edward Mansion, 141 Prince Edward Road W., Kowloon, Hong Kong
TEL: +852-2397-2505 FAX: +852-2397-6080

SHANGHAI BRANCH : ANLY TECHNOLOGY (WUXI) CO., LTD.

Room 13G, No.831, Xinzha Rd., Jingnan District, Shanghai, China 200041
TEL: +86-21-6218-3300 FAX: +86-21-6217-5911