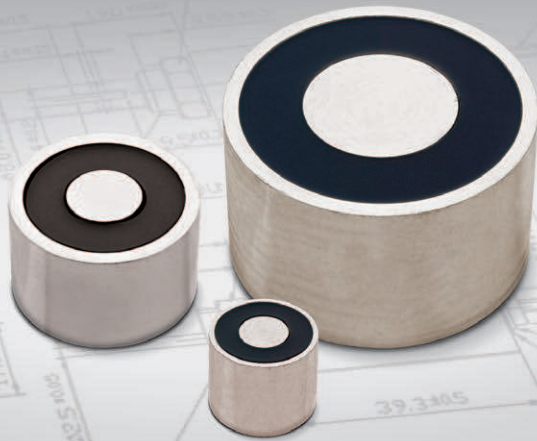


Electromagnets

Electromagnets



Sealed

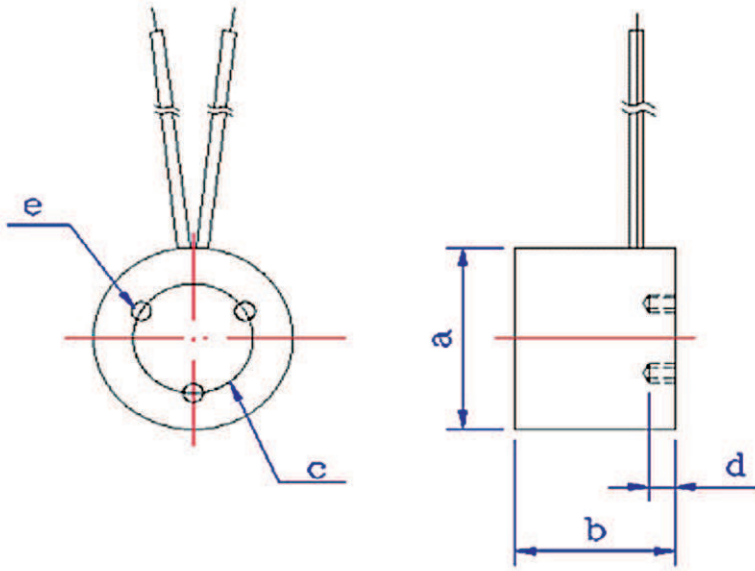
Heavy duty

Strong

ITS-MS 5030

M

Type



Force-stroke-diagram (N/mm)

Description

Weight: 350 g

Power: 8,0 Watt

Holdingforce: 400 N

Mounting plates (minimum): 5 mm

Dimension

a	b	c	d	e
50	30	34	5	M3/M4

Solenoid Layout

Voltage Rating:

12 VDC (standard)

24 VDC (standard)

Special development

Do you like a costum designed version (for example frame, force, duty cycle and so on) please send us this form:

[Checklist \(PDF, 390 kB\)](#)