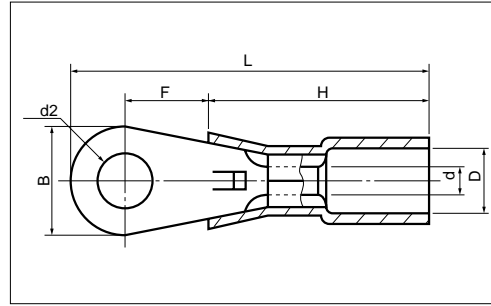
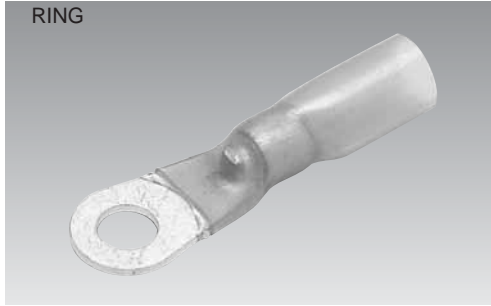


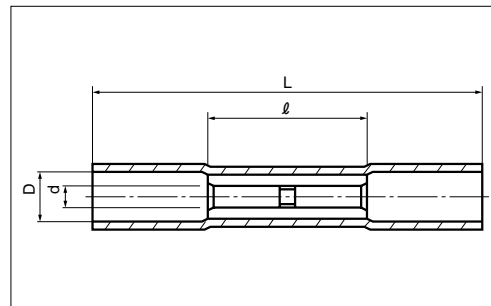
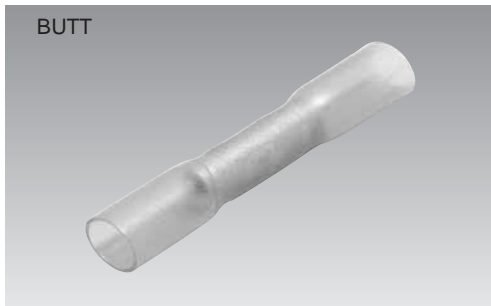
HEAT-SHRINKABLE RING & BUTT

B



RoHS
See page 2

PART NUMBER	DIMENSIONS mm							WIRE RANGE		TOOL No.	COLOR	STD QTY/BOX
	d2	B	L	F	H	D	d	mm ²	AWG			
SR 1.25-3C	3.2	5.5	25.3	3.3	16.5	4.2 (MIN)	1.7	0.75 1.25	18-16	NH 82	Red Translucent	1000 (100 × 10)
SR 1.25-3.5C	3.7	6.6	25.8	3.7								
SR 1.25-4C	4.3	8.0	26.5	4.0								
SR 1.25-5C	5.3											
SR 2-3C	3.2	5.5	25.8	3.3	17.0	4.9 (MIN)	2.3	2.0	14	NH 82	Blue Translucent	1000 (100 × 10)
SR 2-3.5C	3.7	6.6	26.3	3.7								
SR 2-4C	4.3	8.5	27.3	4.3								
SR 2-5C	5.3	9.5	27.8	4.8								
SR 5.5-3C	3.2	7.0	33.5	5.5	21.5	6.2 (MIN)	3.4	5.5	10	NH 82	Yellow Translucent	1000 (100 × 10)
SR 5.5-3.5C	3.7											
SR 5.5-4NC	4.3											
SR 5.5-5C	5.3											



RoHS
See page 2

PART NUMBER	DIMENSIONS mm				WIRE RANGE		TOOL No.		COLOR	STD QTY/BOX
	d	D	L	ℓ	mm ²	AWG	Hand	Pneumatic		
SB 2218	1.4	2.9 (MIN)	25	11.5	0.3 0.5	22-20	NH 82	NA 3 (N3 15)	Yellow Translucent	1000 (100 × 10)
SB 1816	1.7	4.2 (MIN)	37	15.0	0.75 1.25	18-16	NH 82	NA 3 (N3 16)	Red Translucent	1000pcs (100 × 10)
SB 1614	2.3	4.9 (MIN)	37	15.0	2.0	14	NH 82	NA 3 (N3 16)	Blue Translucent	1000 (100 × 10)
SB 1210	3.4	6.2 (MIN)	42	15.0	5.5	10	NH 82	—	Yellow Translucent	500 (100 × 5)

NOTE

1) : UL