

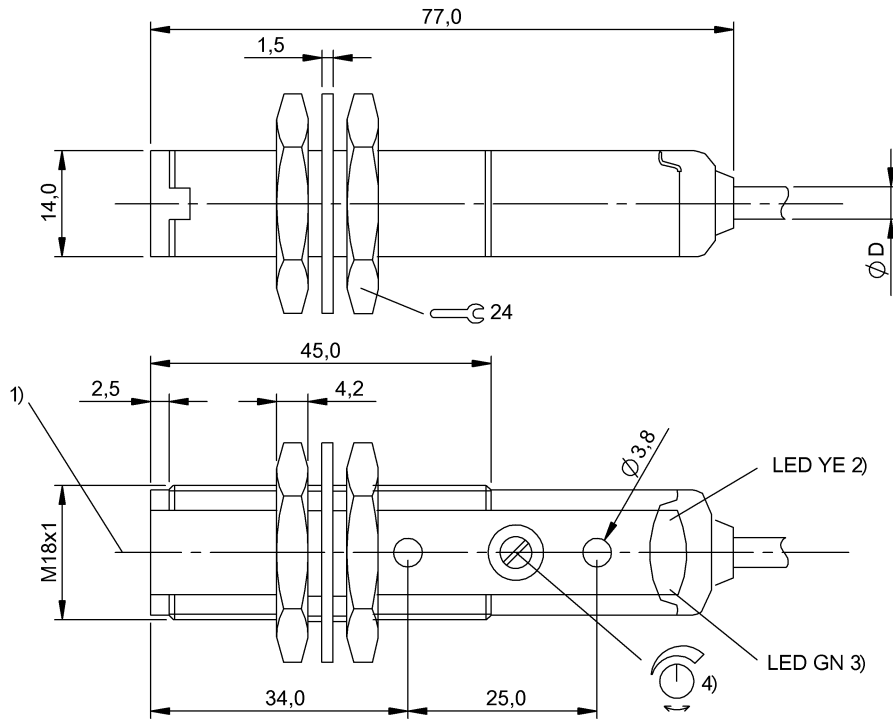
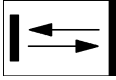
BOS 18KF-PA-1PD-C-02
Ordering code: BOS00JY

Diffuse sensor
 Series 18KF
 Working Range: 0...400 mm

PNP (2x), NO-NC
 Infrared
 DC, direct current

BALLUFF

sensors worldwide



1) Optical axis, 2) Output function, 3) Stability, 4) Sn

Characteristic data

Operating voltage	10...30 V DC
Connection	Cable, 2m, PVC
Switching freq. f max.	1000 Hz
Indicator	Stability - LED GN
Setting	Switching distance (Sn)
Adjuster	Potentiometer 270° (1x)
Short-circuit protected	yes
Protected against polarity reversal	yes
Enclosure Type per IEC 60529	IP67
Protection class	II

Optical data

Principle of optical operation	Light scanner, energetic
Switching function, optical	NO light-on - NC dark-on
Light type	Infrared
Wavelength	880 nm
Ambient light max.	5,000 Lux

Electrical data

Rated operating voltage Ue DC	24 V
Effective operating current Ie	100 mA
Rated insulation voltage Ui	75 V DC

Ripple max. (% of Ue)	8
Switching output	PNP (2x)
Switching function	NO-NC
Turn-off delay toff max.	0,5 ms
Turn-on delay ton max.	0,5 ms
No-load current max. Io at Ue	35 mA
Voltage drop Ud max. (at Ie)	2 V

Mechanical data

Eff. switching distance Sr	400 mm
Capture range Sd	0...400 mm
Beam characteristic	Divergent
Range Sn	Sn = 400 mm, adjustable
Minimum operating distance	0 mm
Cable length	2 m
Cable jacket material	PVC
Number of conductors	4
Cable diameter D max.	4
Conductor cross-section	0.14 mm ²
Sensing surface material	PMMA
Housing material	PBT
Mounting type	Nut M18x1
Design	Screw M3
	Flat cylinder, straight optics

BOS 18KF-PA-1PD-C-02
Ordering code: BOS00JY

Diffuse sensor
Series 18KF
Working Range: 0...400 mm

PNP (2x), NO-NC
Infrared
DC, direct current

BALLUFF
sensors worldwide

Ambient temperature -25...55 °C
Tightening torque 1.5 Nm

Basic data

Basic standard IEC 60947-5-2

The sensor is functional again after the overload has been eliminated.
Reference object (target): Gray card, 200 x 200, 90 % remission, axial approach.

For additional information, refer to user's guide.
Order accessories separately.

