

ILLUMINATED

PUSH SWITCHES

» Features

- Clip type contacts are applied to ensure high reliability.
- Terminals are all IC pitched (multiple of 2.54mm). By a particular terminal shape, the switch tightly when solder-dipped.
- Protection from Flux Entry Terminals are all completely sealed by epoxy.
- Many LED lights are available.

» Applications

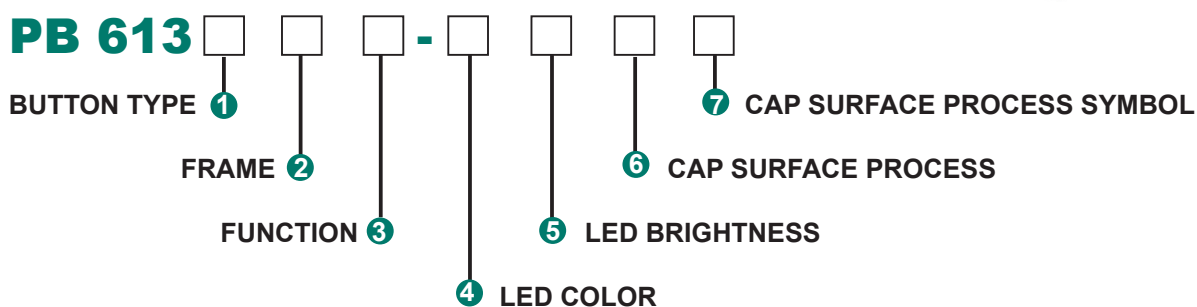
- Operating switches in all types of electronic equipment such as audio apparatus, office equipment, communications apparatus, TV sets, VCRs, etc.

» Specifications

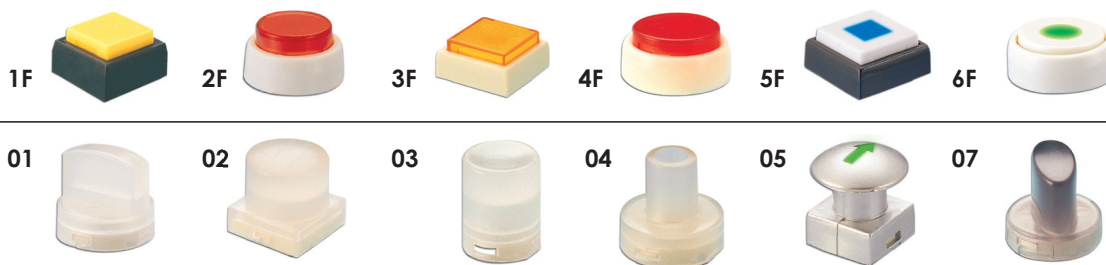
Rating	0.1A 30VDC
Insulation Resistance	100MΩ Min (at 500 VDC)
Dielectric Strength	AC 500V (50/60 Hz for 1 minute)
Contact Resistance	50mΩ Max. (Initial)
Electrically Life	10,000 Cycles Min
Ambient Temperature	-10°C~ +80°C
Operating Force	150 ± 100gf



» Product selection



1 BUTTON TYPE



ILLUMINATED

PUSH SWITCHES

2 FRAME

-	Without
F	With frame

4 LED COLOR

1	Red
2	Yellow
3	Green
4	Blue
5	White
6	Pure Green
12	Red / Yellow
13	Red / Green
23	Yellow/ Green

3 FUNCTION

A	Non-illuminated Alternate
B	Non - illuminated Momentary
AL	Illuminated Alternate
BL	Illuminated Momentary

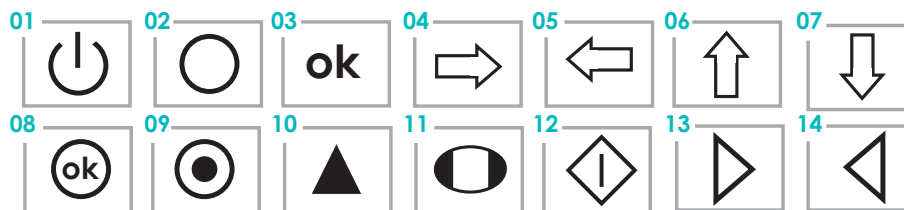
5 LED BRIGHTNESS

-	Standard
C	Customization

6 CAP SURFACE PROCESS

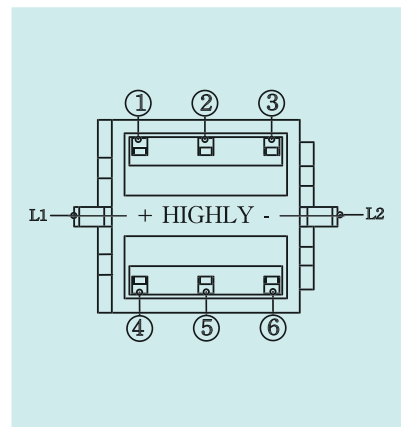
1	Misty Silver
2	Bright Silver
3	Gold

7 CAP SURFACE PROCESS SYMBOL



» Circuit

Type	Switch Action	
PB613A	Normal ON	Push to lock OFF
Connecting Terminal	1 - 2 4 - 5	2 - 3 5 - 6
PB613B	Normal ON	Push (ON)
Connecting Terminal	1 - 2 4 - 5	2 - 3 5 - 6
LED Circuit		



» LED Specifications

Color	VR	IF	Recommended Operating Current	VF	
				Nom	Max
Red	DC 5V	20mA	20mA	1.7V	2.4V
Green	DC 5V	20mA	20mA	1.9V	2.4V
Yellow	DC 5V	20mA	20mA	1.9V	2.4V
Blue	DC 5V	20mA	20mA	3.0V	3.6V
White	DC 5V	20mA	20mA	3.0V	3.6V

ILLUMINATED

PUSH SWITCHES

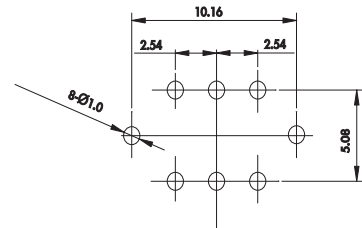
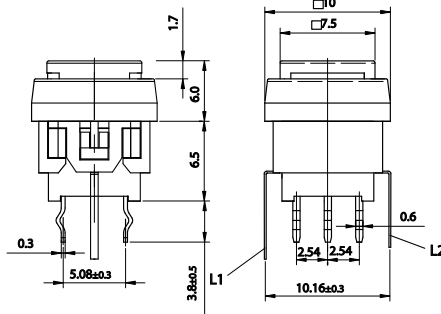
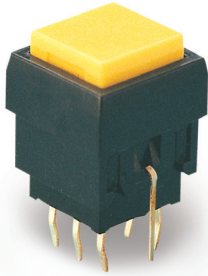
» Operating characteristics

Unit: mm

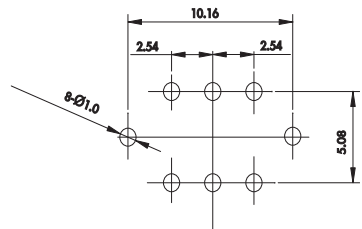
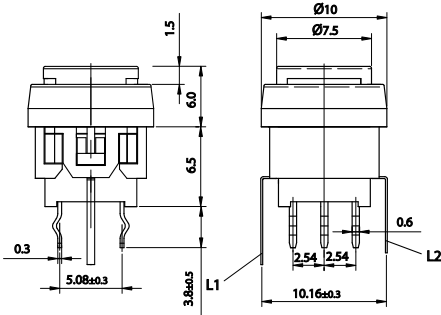
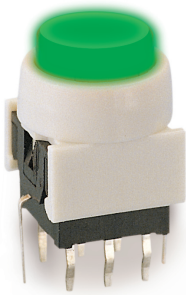
Dimensions

P.C.B Layout

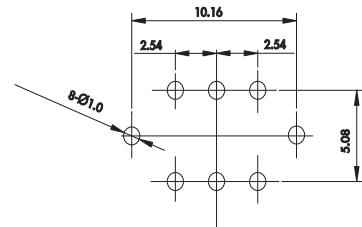
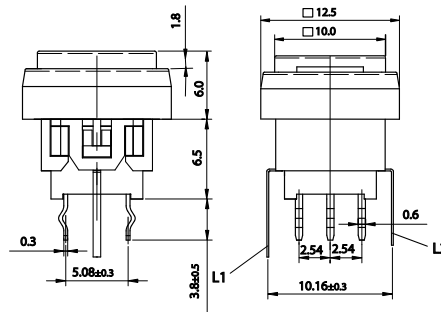
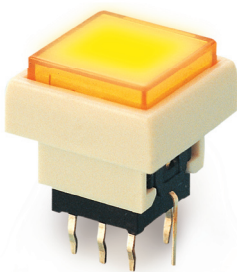
PB6131F □ L



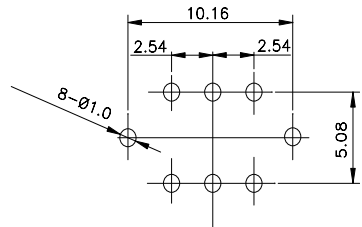
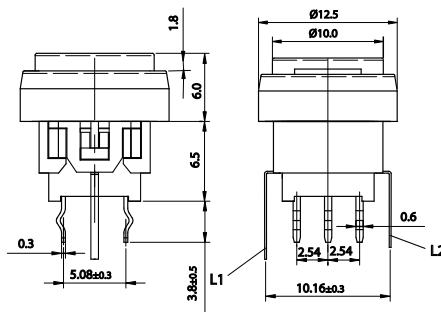
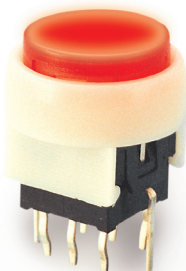
PB6132F □ L



PB6133F □ L



PB6134F □ L



ILLUMINATED

PUSH SWITCHES

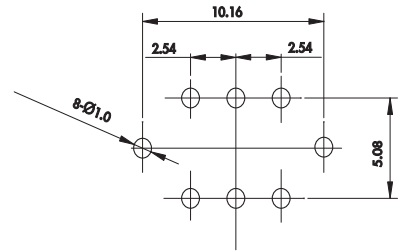
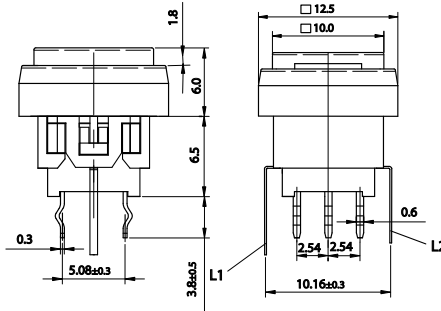
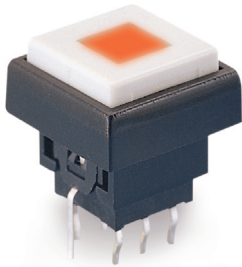
» Operating characteristics

Unit: mm

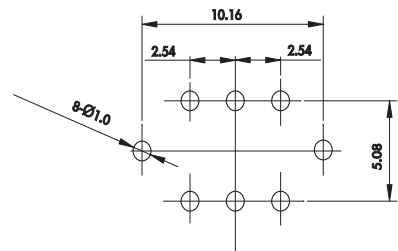
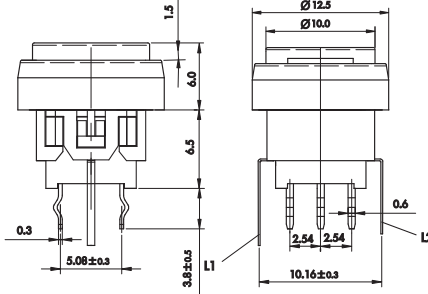
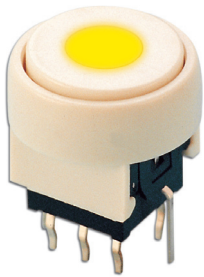
Dimensions

P.C.B Layout

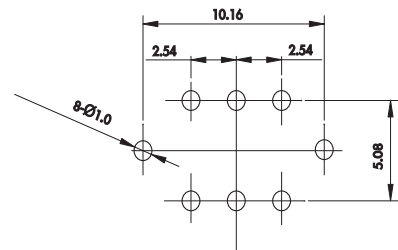
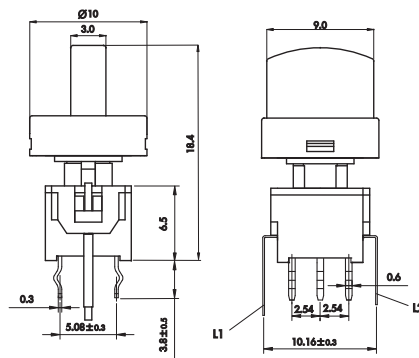
PB6135F L



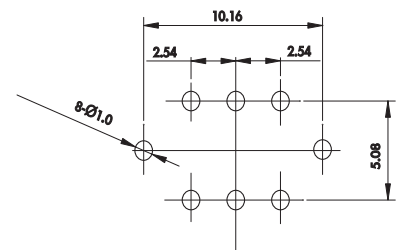
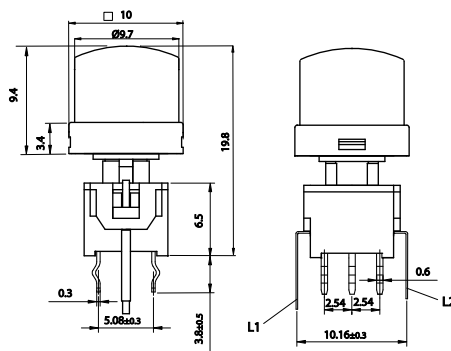
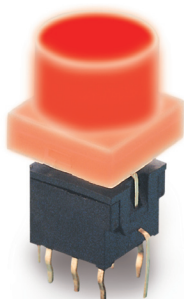
PB6136F L



PB61301 L



PB61302 L



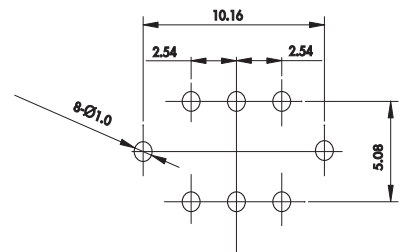
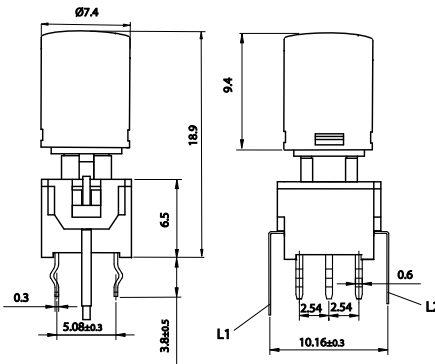
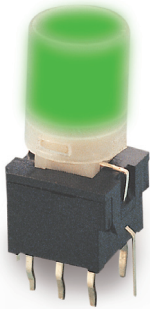
» Operating characteristics

Unit: mm

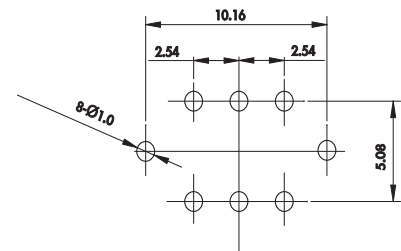
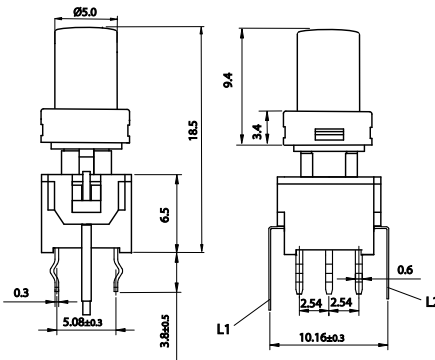
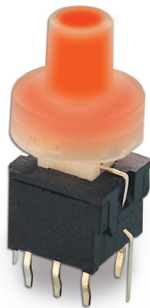
Dimensions

P.C.B Layout

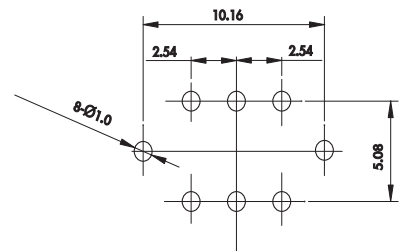
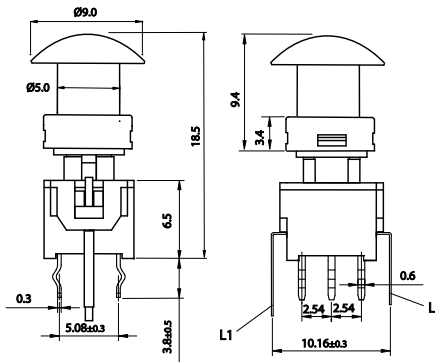
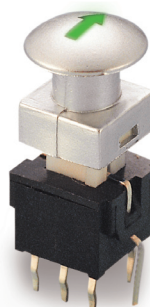
PB61303 L



PB61304 L



PB61305 L



PB61307 L

