


ROCKER SWITCHES

PRODUCT NUMBER 1555.3102



TECHNICAL DATA

Product number	1555.3102
Actuator color / printing	
Product family	Rocker switches
Actuation type	direct
Weight	9.000 g
Switch on continuous current (capacitive)	5 A
Inrush current (capacitive)	100 A
ROHS conform	yes
Switching function	ON / OFF switch (DPST)
Material fixed contact	Ag
Number of poles	2 - pole
connections	Quick-connect terminal, 6.3 x 0.8
Mechanical life endurance	5E4
Rating IEC	10 (4) A 250 V AC 5E4 16 (4) A 250 V AC 1E4
Rating North America	20 A 125 V AC 1 HP 20 A 250 V AC 2 HP 16 A 250 V AC 2 HP
Contact resistance (new condition)	< 100 (1 A 12 V DC) mOhm

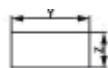
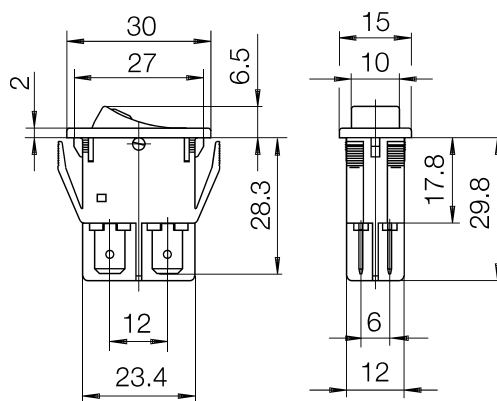
Insulation resistance (new condition)	> 100 (500 V DC) MOhm
Voltage strength at 250 V	→ function insulation / basic insulation 1 500 V → reinforced insulation 3 000 V → small contact distance 500 V
Proof tracking	250 PTI
Insulation spacing	acc. to EN 61058 for reinforced or double insulation
Protection type	→ Connection IP 40 → Actuator IP 40
Ambient temperature	-20 °C ... +100 °C
Ambient temperature	-20 °C ... +55 °C
Storage temperature	-40 °C ... +80 °C
Flammability	UL 94 V-0
Glow wire test temperature	850 °C
Actuators and additional actuators	rocker: PA, black, identification white
Housing description	housing: PA, black
Connection surface	→ bearing connection silver plated
Contact material	Ag
Contact distance	≥ 3 mm
Lighting	function illumination: glow lamp, 230 V function illumination: window of PC, red
Rating Code UL	R 145 / R 174
Contact type	lifting contact
Plug force of the terminals	≤ 80 N
Operating force	3 - 5 N
Approval marks	cCSAus / CSA / UL / ENEC 05
Suitable for appliances of protection class	II

EN 60335 cap. 30 conform "G"	yes
Additional labeling	site, year, week of manuf. acc. to DIN EN 60062
Additional labeling packing	UL R 174
Type of fastening	Snap fastening
Degree of pollution	3
Rated impulse withstand voltage	2500 V
Stock version	●

PRODUCT IMAGE



DRAWINGS



X **Y** **Z**
 0.8 ... 5.0 | 27.2 ±0.1 | 12.2 +0.2

X = wall thickness

Technical changes reserved. Dimensions are not binding.
Detailed specifications available on request.

Marquardt GmbH · Schloss-Straße 16 · 78604 Rietheim-Weilheim · Germany
Phone: +49 (0) 7424 / 99-0 · Fax: +49 (0) 7424 / 99-2399 · www.marquardt.com · marquardt@marquardt.de