

GSM Antenna

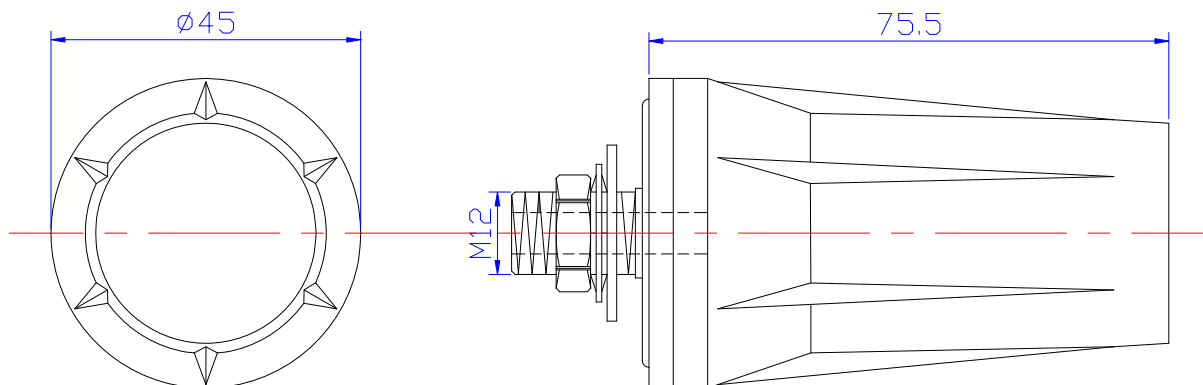
Model: GSM-ANT023



1 Part Number

GSM-ANT023

2 Dimension (Unit: mm)



3 Electrical Characteristics

3.1 GSM Antenna

Form 1

No.	Item	Specifications
1	Frequency (MHz)	824 ~ 960 MHz/1710 ~ 2655 MHz
2	V.S.W.R (in BW)	$\leq 2.0 \square 1$
3	Gain (Zenith)	2 dBi
4	Impedance	50 Ω

3.2 Mechanical

Form 2

No.	Item	Specification
1	Cable	RG58 3m/5m or others
2	Connector	SMA or others
3	Plastic Housing	Black
4	Mounting	Screw