


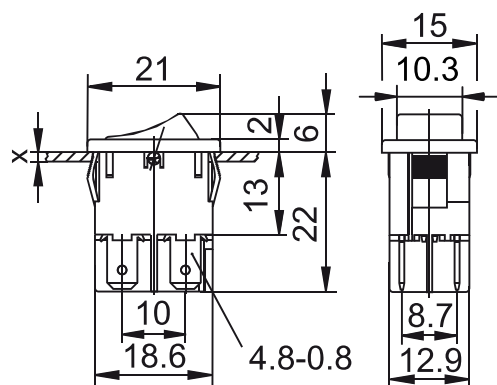
PRODUCT NUMBER 1858.1103

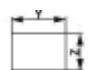


Product number	1858.1103	
Actuator color / printing		
Product family	Rocker switches	
Actuation type	direct	
Weight	5.510 g	
Switch on continuous current (capacitive)	5 A	
Inrush current (capacitive)	100 A	
ROHS conform	yes	
Switching function	ON / OFF switch (DPST)	
Material fixed contact	Ag	
Number of poles	2 - pole	
connections	Quick-connect terminal, 4.8 x 0.8	
Mechanical life endurance	10E4	
Rating IEC	16 (10) A 250 V AC 1E4 10 (10) A 250 V AC 5E4	
Contact resistance (new condition)	< 100 (1 A 12 V DC) mOhm	
Insulation resistance (new condition)	> 100 (500 V DC) MOhm	
Voltage strength at 250 V	function insulation / basic insulation	1 500 V
	reinforced insulation	3 000 V

	small contact distance	500 V
Proof tracking	250 PTI	
Insulation spacing	acc. to EN 61058 for reinforced or double insulation	
Protection type	Connection	IP 40
	Actuator	IP 40
Ambient temperature	-20 °C ... +100 °C	
Ambient temperature	-20 °C ... +55 °C	
Storage temperature	-40 °C ... +80 °C	
Flammability	UL 94 V-0	
Glow wire test temperature	850 °C	
Actuators and additional actuators	rocker: PA, black, identification white	
Housing description	housing: PA, black, cover frame with injected identification	
Connection surface	bearing connection	silver plated
	external connection	silver plated
Contact material	Ag	
Contact distance	≥ 3 mm	
Contact type	lifting contact	
Plug force of the terminals	≤ 80 N	
Operating force	≤ 5 N	
Approval marks	ENEC 15 / cULus	
Suitable for appliances of protection class	II	
EN 60335 cap. 30 conform "G"	yes	
Additional labeling	site, year, week of manuf.	
Additional labeling packing	0041.1761	
Type of fastening	Snap fastening	

Degree of pollution	3
Stock version	●



	X	Y	Z
	0.75 ... 1.25	19.2 -0.1	12.9 +0.1
	1.25 ... 2	19.4 -0.1	12.9 +0.1
	2 ... 3	19.8 -0.1	12.9 +0.1

X = wall thickness

Technical changes reserved. Dimensions are not binding.
Detailed specifications available on request.

Marquardt GmbH · Schloss-Straße 16 · 78604 Rietheim-Weilheim · Germany
Phone: +49 (0) 7424 / 99-0 · Fax: +49 (0) 7424 / 99-2399 · www.marquardt.com · marquardt@marquardt.de