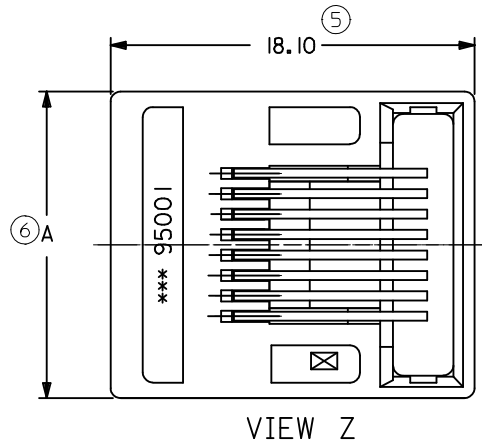
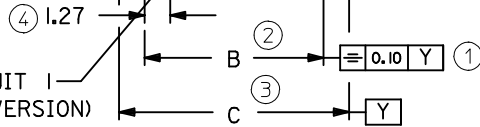


6 & 8 VERSIONS

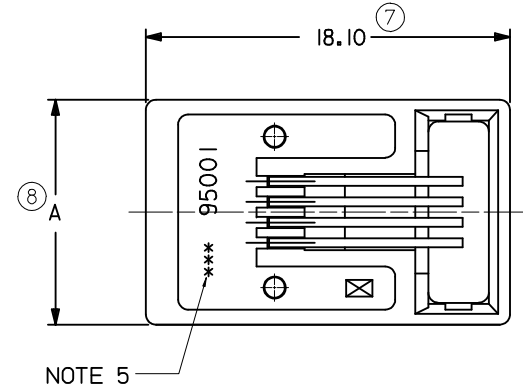
8 VERSION SHOWN

CIRCUIT 1
(8 CKTS VERSION)

CIRCUIT 1
(6 CKTS VERSION)



4 VERSION ONLY



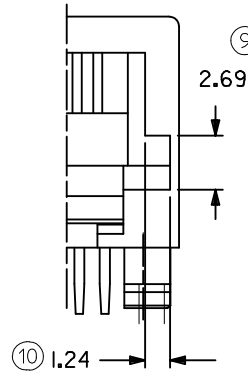
NOTE 5

NOTES :

1- MATERIAL:

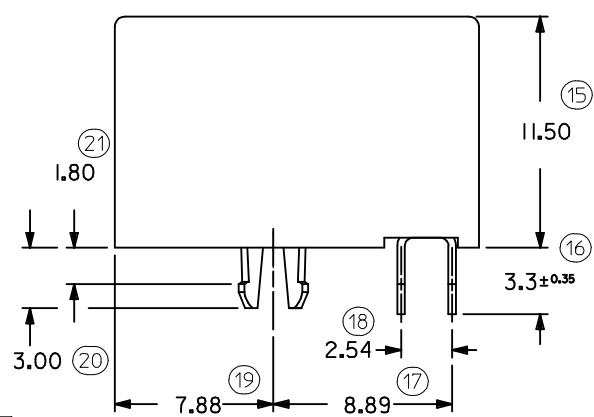
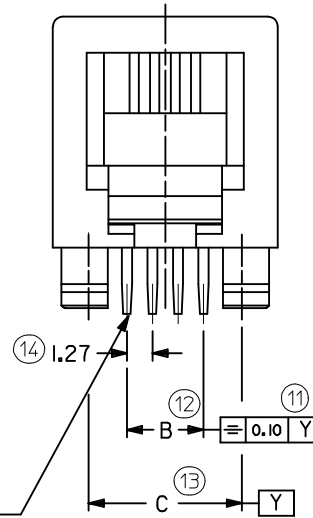
- HOUSING: LCP GLASS FILLED UL 94V-0, COLOUR BLACK.
- TERMINAL: COPPER ALLOY
- BASE FINISH: NICKEL
- CONTACT SURFACE FINISH:
GOLD
OR
GOLD FLASH OVER PALLADIUM NICKEL.

- EXCEEDS PRODUCT REQUIREMENTS BASED ON PS-95501
- 2- JACK FOR MATING WITH F.C.C. 68 PLUGS 90075 MOLEX SERIES.
- 3- PRODUCT SPECIFICATION PS-95501.
- 4- PACKAGING SPECIFICATION PK-95001: STANDARD PACKAGING SHEET 1. SPECIAL PACKAGING SHEET 2. TUBE PACKAGING SHEET 3.
- 5- MANUFACTURING I.D. CAN BE EITHER MXF, MG OR MXI.
- 6- RECOMMENDED PCB THICKNESS: 1.57mm
INSPECTION NUMBERS USED: 1 - 50
LAST INSPECTION NUMBER: 21



**OPTIONAL
KEYING**

CIRCUIT 1
(4 CKTS VERSION)



| DIM. | TYPE | POS. 4 | | POS. 6 | | POS. 8 |
|------|------|---------|---------|---------|---------|---------|
| | | 4 CKTS. | 4 CKTS. | 6 CKTS. | 8 CKTS. | 8 CKTS. |
| A | | 11.18 | 13.21 | 13.21 | 15.24 | |
| C | | 7.62 | 10.16 | 10.16 | 11.43 | |
| B | | 3.81 | 3.81 | 6.35 | 8.89 | |

MODIFIED NOTES.

| | |
|---------------------|------------|
| EC NO: IPG2012-0602 | 2012/03/30 |
| DRW:DBYRNES | 2012/03/30 |
| CHKD:MSHAHAN | 2012/03/30 |
| APPR:EFOLAN | 2012/06/26 |

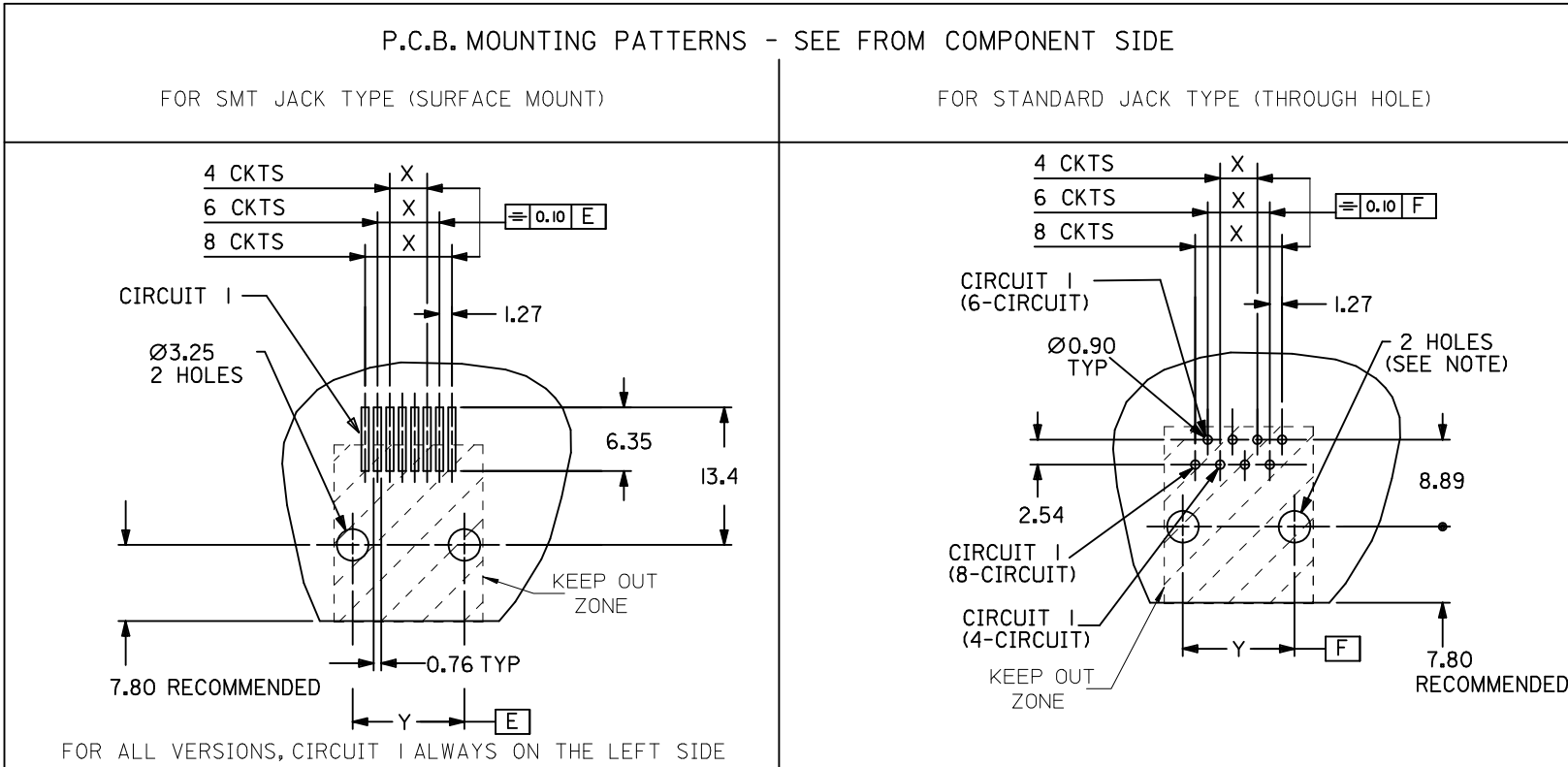
| QUALITY SYMBOLS | DESCRIPTION |
|-----------------|-------------|
| ▼ = 0 | |
| ∇ = 0 | |

| GENERAL TOLERANCES (UNLESS SPECIFIED) | |
|--|--------------|
| | mm INCH |
| 4 PLACES | ± --- ± --- |
| 3 PLACES | ± --- ± --- |
| 2 PLACES | ± 0.15 ± --- |
| 1 PLACE | ± 0.25 ± --- |
| ANGULAR ± ---° | |
| DRAFT WHERE APPLICABLE MUST REMAIN WITHIN DIMENSIONS | |

| DIMENSION STYLE | |
|-------------------------|------------|
| MM ONLY | |
| DRAWN BY | DATE |
| DBYRNES | 2006/08/02 |
| CHECKED BY | DATE |
| EOMAHONY | 2006/08/12 |
| APPROVED BY | DATE |
| EOMAHONY | 2006/08/12 |
| MATERIAL NO. | |
| SEE CHART, SHEETS 4 & 5 | |
| SIZE | A3 |

| | | | | |
|---|-----|--------------|--------|------------------------|
| SCALE | 4:1 | DESIGN UNITS | METRIC | THIRD ANGLE PROJECTION |
| TITLE | | | | |
| R/A LOW PROFILE PC JACK 4,6,8 CKTS SIZE THROUGH HOLE VERSION | | | | |
| MOLEX MOLEX INCORPORATED | | | | |
| DOCUMENT NO. | | | | SHEET NO. |
| SD-95501-001 | | | | 1 OF 5 |
| THIS DRAWING CONTAINS INFORMATION THAT IS PROPRIETARY TO MOLEX INCORPORATED AND SHOULD NOT BE USED WITHOUT WRITTEN PERMISSION | | | | |

| TYPE \ DIM. | POS. 4 | POS. 6 | | POS. 8 |
|-------------|---------|---------|---------|---------|
| | 4 CKTS. | 4 CKTS. | 6 CKTS. | 8 CKTS. |
| Y ±0.05 | 7.62 | 10.16 | 10.16 | 11.43 |
| X ±0.05 | 3.81 | 3.81 | 6.35 | 8.89 |



NOTE:
 FOR CONVECTION SOLDERING: DIA 3.25±0.05
 FOR WAVE SOLDERING: DIA 3.20±0.10
 ALL DIMENSIONS REF DIMENSIONS

| | | | | | | |
|--|-----------------|---|-----------------|---|--------------|------------------------|
| REMOVED INCHES EC NO: E2012-0079 DRWN: JOCONNOR 2011/02/23 CHKD: APPR: EFOLAN 2011/09/28 | QUALITY SYMBOLS | GENERAL TOLERANCES (UNLESS SPECIFIED) | DIMENSION STYLE | SCALE | DESIGN UNITS | THIRD ANGLE PROJECTION |
| | ▽=0 ◻=0 | mm INCH 4 PLACES ± --- ± --- 3 PLACES ± --- ± --- 2 PLACES ± 0.15 ± --- 1 PLACE ± 0.25 ± --- ANGULAR ± ---° | MM ONLY | 2:1 | METRIC | |
| | DESCRIPTION | DRAWN BY | DATE | TITLE | | |
| | REV | DATE | DATE | R/A LOW PROFILE JACK PC JACK 4,6,8 CKT SIZE SMT AND STANDARD VERSION | | |
| | | | DATE | MOLEX INCORPORATED | | |
| | | | DATE | DOCUMENT NO. SD-95501-001 | | |
| | | | DATE | SHEET NO. 3 OF 5 | | |
| | | | DATE | THIS DRAWING CONTAINS INFORMATION THAT IS PROPRIETARY TO MOLEX INCORPORATED AND SHOULD NOT BE USED WITHOUT WRITTEN PERMISSION | | |

STANDARD PACKAGING OPEN TRAY ,SEE PACKAGING SPEC PK95001 SHEET 1

PART NO FOR JACK ASSEMBLY
THROUGH HOLE VERSION

LCP GLASS FILED 94V0,COLOR BLACK.

| HOUSING SIZE | LOADED CONTACTS |
|--------------|-----------------|
| 4 | 4 |
| 6 | 4 |
| 6 | 6 |
| 8 | 8 |

| NO KEY | TOOLED | KEY | TOOLED | | TOOLED | | TOOLED |
|------------|--------|------------|--------|--|--------|--|--------|
| NOT RIBBED | TOOLED | NOT RIBBED | TOOLED | | TOOLED | | TOOLED |
| 95501-244 | X | | | | | | |
| 95501-264 | X | | | | | | |
| 95501-266 | X | | | | | | |
| 95501-288 | X | 95501-2882 | X | | | | |

| | | | | | | |
|--|-----------------|---|---|---|--------------|------------------------|
| REMOVED OPTIONS EC NO: IPG2012-060Z DRW:DBYRNES 2012/03/30 CHKD:MSHAHAN 2012/03/30 APPR:EFOLAN 2012/06/26 | QUALITY SYMBOLS | GENERAL TOLERANCES (UNLESS SPECIFIED) | DIMENSION STYLE | SCALE | DESIGN UNITS | THIRD ANGLE PROJECTION |
| | ▼=0 □=0 | mm INCH | MM ONLY | --- | METRIC | |
| | | 4 PLACES ± --- ± --- 3 PLACES ± --- ± --- 2 PLACES ± --- ± --- 1 PLACE ± --- ± --- ANGULAR ± ---° | DRAWN BY: DBYRNES DATE: 2006/08/02 CHECKED BY: EOMAHONY DATE: 2006/08/12 APPROVED BY: EOMAHONY DATE: 2006/08/12 | TITLE: LOW PROFILE R/A JACK STANDARD T/HOLE VERSION STANDARD OPEN TRAY VERS MOLEX INCORPORATED | | |
| | | DRAFT WHERE APPLICABLE MUST REMAIN WITHIN DIMENSIONS | MATERIAL NO. SEE CHART DOCUMENT NO. SD-95501-001 SHEET NO. 4 OF 5 | | | |