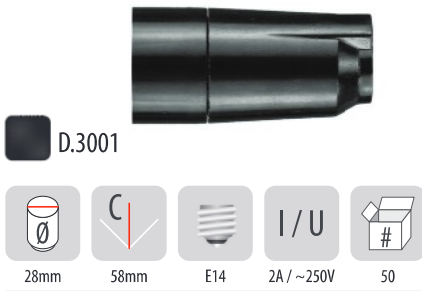


## Lamp holder, bakelite

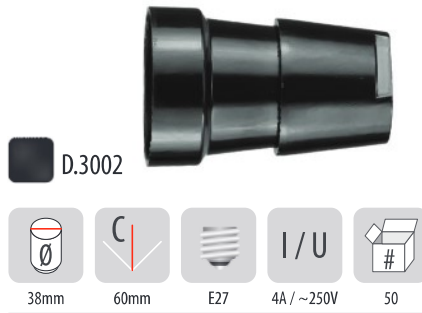
Norm: PN-EN 60238

Lamp holder, bakelite E14



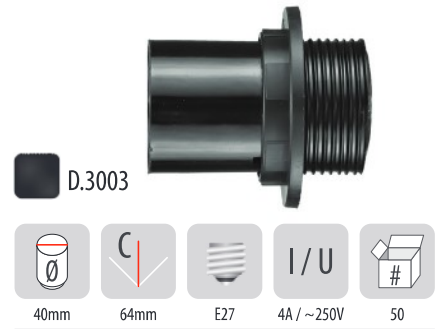
Remarks: Attach diameter: M10x1

Lamp holder, bakelite E27



Remarks: Attach diameter: M10x1

Lamp holder, bakelite E27 with flange



Remarks: Attach diameter: M10x1

## Adapters

Norm: PN-EN 60238

Adapter E27/E14



Remarks:

Adapter E14/GU10



Remarks:

Adapter E27/GU10

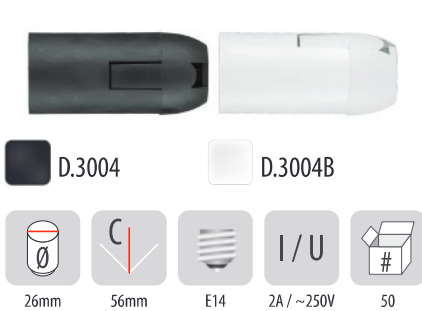


Remarks:

## Lamp holder, thermoplastic

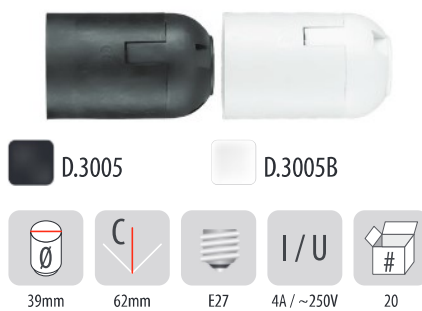
Norm: PN-EN 60238

Lamp holder thermoplastic E-14

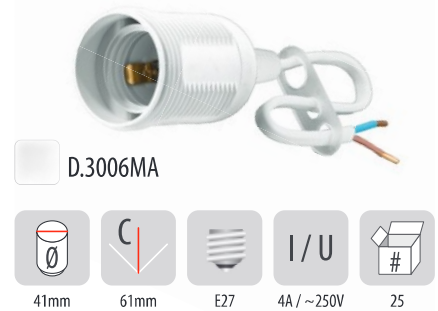


Remarks: Attach diameter: M10x1

Lamp holder thermoplastic E27



Remarks: Attach diameter: M10x1

Lamp holder thermoplastic E27  
with wire 2x0,75mm<sup>2</sup>Remarks: Attach diameter: M10x1  
Wire length(2x0,75mm<sup>2</sup>): 190 mm

## Lamp holder, metal

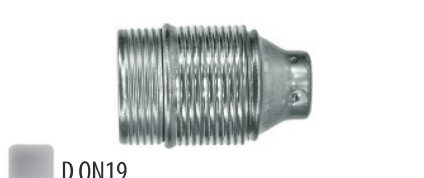
Norm: PN-EN 60238

Lamp holder, metal ON20 E27 with flange



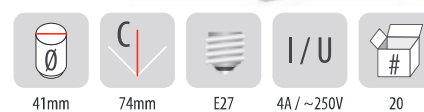
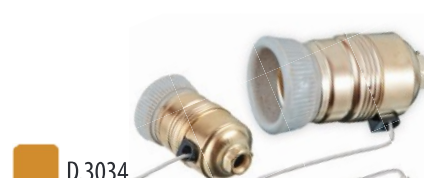
Remarks: Attach diameter: M10x1

Lamp holder, metal ON19 E27



Remarks: Attach diameter: M10x1

Metal lamp holder, with porcelain ring and switch



Remarks: Attach diameter: M10x1

## Lamp holders, porcelain

Norm: PN-EN 60238

Lamp holder, porcelain E27 typ 426



Remarks:

Lamp holder, porcelain E27, Z-28 type, hang on



Remarks:

Lamp holder, porcelain



Remarks:

## Lamp holder, thermoplastic

Norm: PN-EN 60238

Lamp holder thermoplastic E14 with flange



Remarks: Attach diameter: M10x1

Lamp holder thermoplastic E27 with flange



Remarks: Attach diameter: M10x1

## Lamp holder, porcelain

Norm: PN-EN 60238

Lamp holder GU10 porcelain LED / halogen



Remarks: Wire length: 90-130mm