

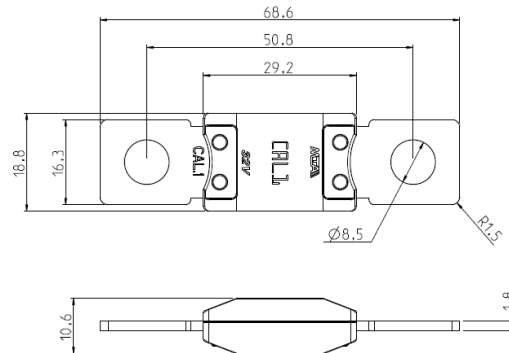
# POWERVAL® STRIP TYPE FUSE

PowerVAL® is a special series of fuses, with identical constructive characteristics of the MegaVal® series, but with Operating Time Limits tailored to protect Starter Motor Lines.

PowerVAL® are made in Zinc alloy or Copper, to achieve the best performance for each application.

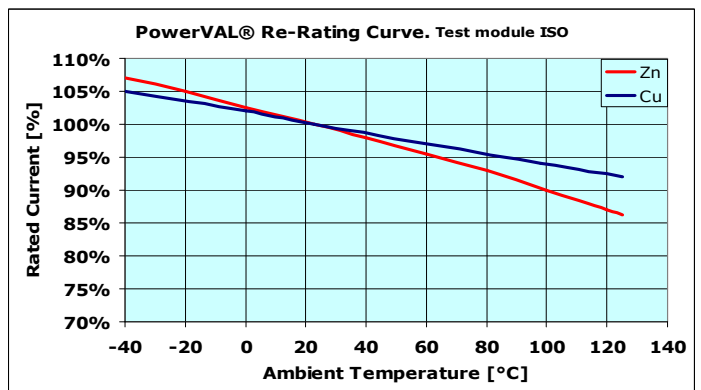
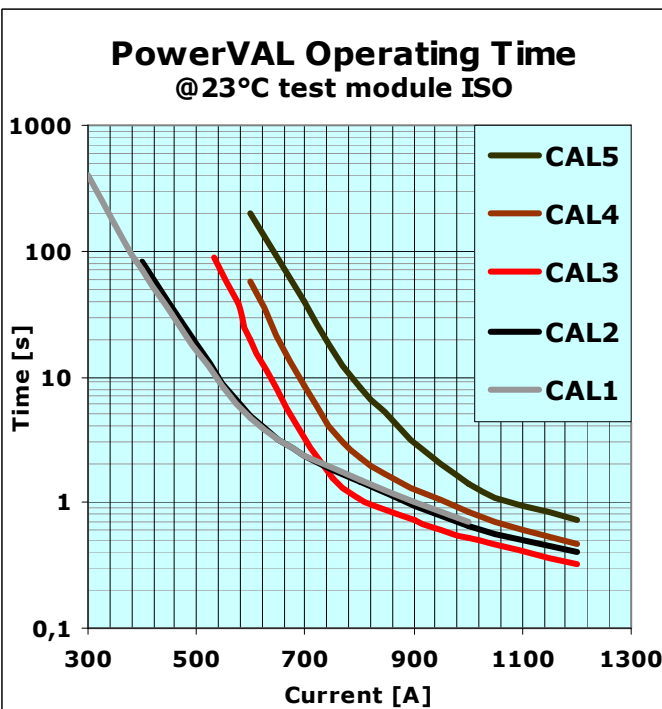


**Breaking capacity:** 2000[A]  
**Voltage rating:** 32[Vdc]  
**Ambient temperature:** -40°C to +125°C



**MTA PowerVAL® operating time limits** (On ISO module and wire section indicated below, brass eyelet)

	CAL1	CAL2	CAL3	CAL4	CAL5
I[A]	Typical Value	Typical Value	Typical Value	Typical Value	Typical Value
400	70,3	82,6	-	-	-
500	-	-	107	-	-
600	4,76	4,89	17,1	58,1	-
700	-	-	-	8,39	40
750	-	-	1,59	-	-
800	1,50	1,46	-	2,28	8,04
900	-	-	0,730	-	-
1000	0,695	0,655	0,520	0,726	1,429
1200	-	0,407	0,321	0,474	0,724



FUSE	BASE MATERIAL	VOLTAGE DROP CURRENT [A]	VOLTAGE DROP @ current [mV]	CABLE SIZE [mm <sup>2</sup> ]
CAL1	Zn	150	22,5	16
CAL2	Zn	150	23,5	25
CAL3	Cu	150	30,4	50
CAL4	Cu	180	35,1	50
CAL5	Cu	180	29,7	50