

6

5

4

3

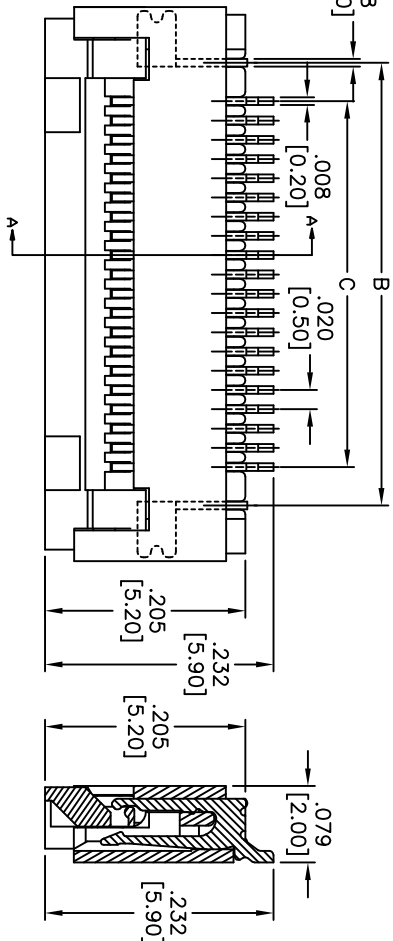
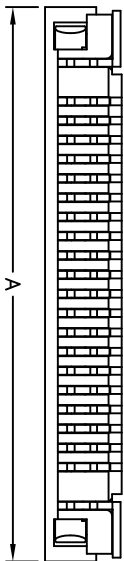
2

1

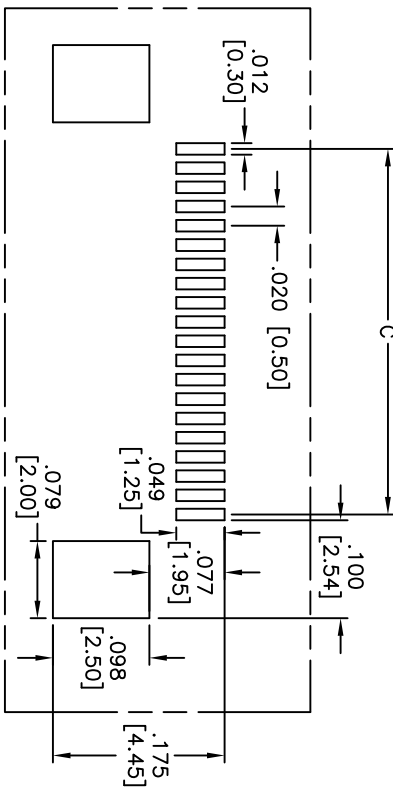
APPROVED: _____

DATE: _____ TITLE: _____

Rev	AWO #	Description	Date	Appr
-		RELEASED	2/06/10	
A		REVISED SHAPE	5/05/11	



SEC A-A

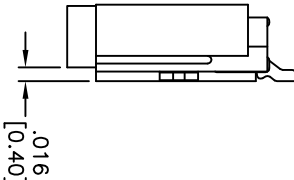


RECOMMENDED PCB LAYOUT

Positions: 4 thru 60
 A = C + .193 [4.90]
 B = C + .079 [2.00]
 C = .020 [0.50] x No. of Spaces
 D = C + .043 [1.10]

SPECIFICATIONS:

- Material: Housing: Hi-temp thermoplastic, rated UL 94V-0, color Natural
- Slider: Hi-temp thermoplastic, rated UL 94V-0, color Black
- Contact: Copper alloy
- Fitting Nail: Copper alloy
- Plating: Tin over Copper underplate overall
- Electrical: Current rating: 0.4A AC/DC
- Voltage rating: 50V AC/DC
- Withstand voltage: 200V AC/minute
- Contact resistance: 20 mohms max.
- Insulation resistance: 500 mohms min.
- Temperature Rating: Temperature range: -25°C to +85°C
- Environmental: Lead free, RoHS compliant.



ADAM TECH

909 Railway Avenue, Union, NJ 07083
 Phone: 908-687-5000 Fax: 908-687-5710

TITLE: ZIF FLEX CIRCUIT CONNECTOR, 0.50 MM PITCH
 SIDE ENTRY, LOWER CONTACT

UNLESS OTHERWISE SPECIFIED ALL DIMENSIONS ARE INCHES [MM]	
TOLERANCES: EXCEPT AS NOTED	
INCHES	HOLES
.X ± .10	ØXX ± .10
.XX ± .020	ØXXX ± .015
.XXX ± .015	ØXXXX ± .010
APPROVALS	DATE
DRAWN	DRY
CHECKED	2/06/10
APPROVED	

SIZE	PART NO.	REV.
X	PCA-6G-XX-HL-3	A
REF: S00167T	SCALE: NTS	SHEET 1 OF 1

6

5

4

3

2

1