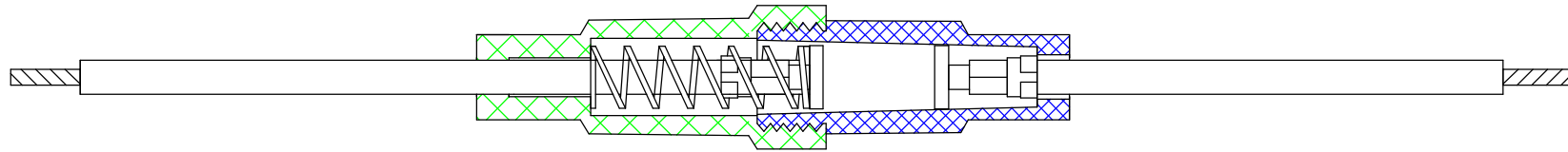
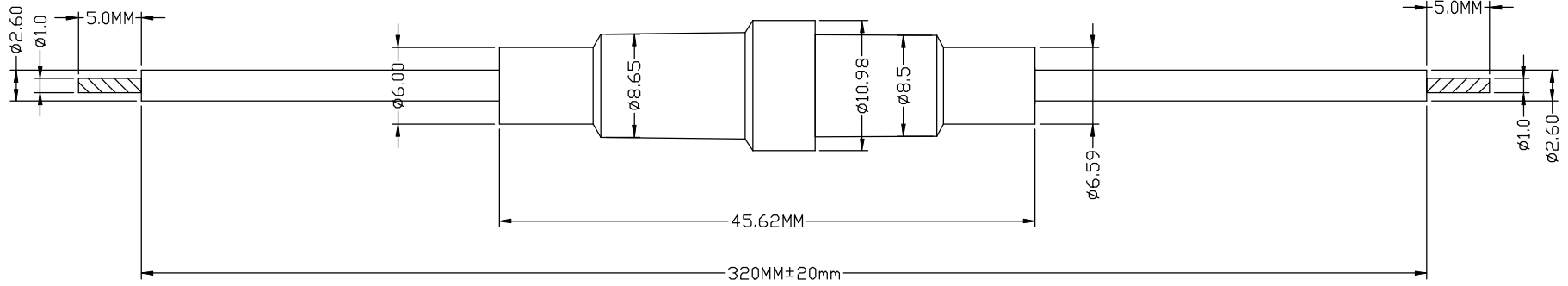


Update versions change the tube color to white



UNLESS OTHERWISE SPECIFIED DIMENSIONS ARE IN MINIMETER TOLERANCES ARE: FRACTIONS DECIMALS ANGLES ± ± 0.05 ±					DESCRIPTION	成品图	SCALE	1 / 1	UNITS: MM	3RD ANGLE
	APPROVED	CHECKED	DRAWING	DESIGNED	MODEL NO,	FR2636B/WH				
	Wxp	Wxp	David Feng	David Feng	DRAWING NO,					
					FINISHING			2017-7-18		A1
					MATERIAL		SYM	DATE		REVISION