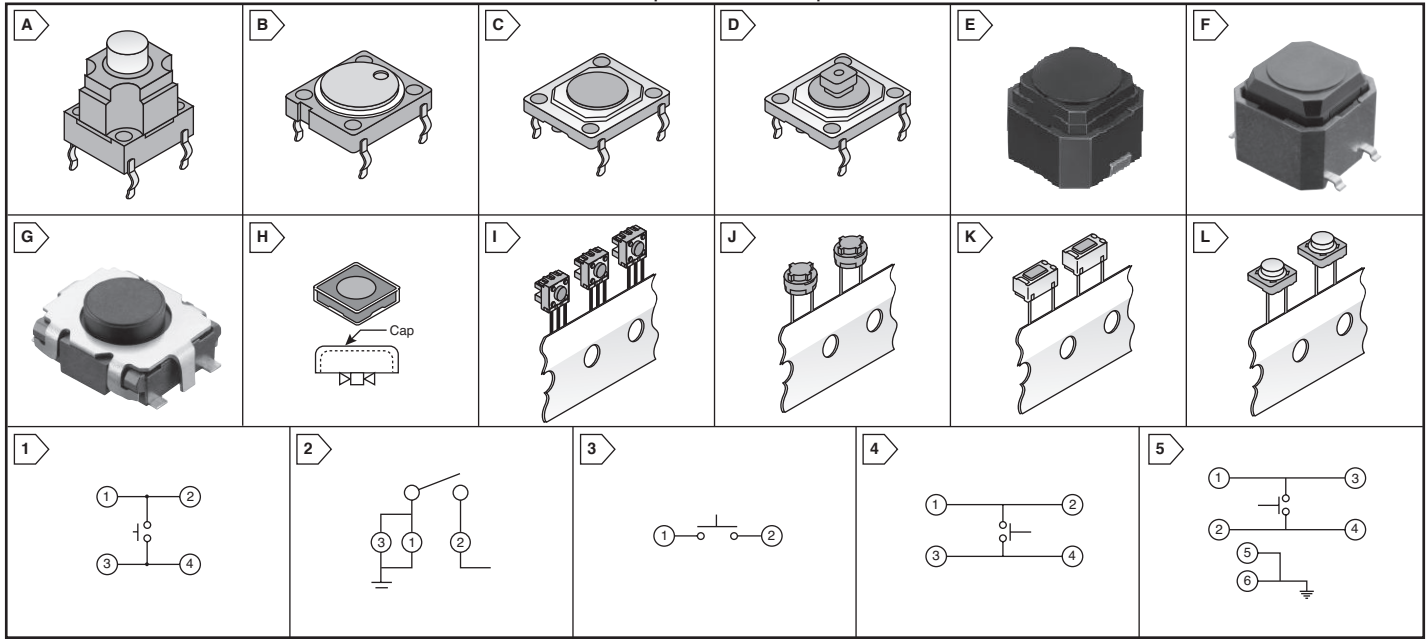


# ALPS Tactile Switches

# ALPS

RoHS Compliant This product is RoHS compliant.



## ALPS SNAP-IN SHARP FEELING TYPE TACTILE SWITCHES

• Contact rating: 50mA @ 12VDC max.



For quantities greater than listed, call for quote.

MOUSER STOCK NO.	Alps Part No.	Fig.	Dim.: mm			Operating Force	Travel (mm)	Operating Life	Features	Price Each				
			L	W	H					1	50	100	500	1000
688-SKQBAP	SKQBAP	A1	10.0	10.0	13.0	160 g	0.3	100,000	Waterproof, Dust proof, Dark gray stem	0,88	0,677	0,611	0,503	0,396
688-SKQBAJ	SKQBAJ	A1	10.0	10.0	13.0	260 g	0.3	100,000	Waterproof, Dust proof, Red stem	0,25	0,206	0,182	0,165	0,157
688-SKHCBFA010	SKHCBFA010	B1	12.0	12.0	4.3	130 g	0.3	1,000,000	Flat stem, Black	0,27	0,231	0,182	0,157	0,132
688-SKQEAB	SKQEAB	C1	12.0	12.0	4.3	160 g	0.3	10,000,000	Dust proof, Dark gray flat stem	0,93	0,726	0,305	0,248	0,165
688-SKQEAD	SKQEAD	C1	12.0	12.0	4.3	260 g	0.3	10,000,000	Dust proof, Red flat stem	0,93	0,726	0,652	0,536	0,421
688-SKQEA A	SKQEA A	D1	12.0	12.0	7.6	160 g	0.3	10,000,000	Dust proof, Dark gray joint stem	0,93	0,726	0,289	0,223	0,206
688-SKQEAC	SKQEAC	D1	12.0	12.0	7.6	260 g	0.3	10,000,000	Dust proof, Red joint stem	0,93	0,726	0,289	0,223	0,165

## ALPS SURFACE MOUNT LOW RESISTANCE TYPE TACTILE SWITCHES

• Contact rating: 50mA @ 16V



For quantities greater than listed, call for quote.

MOUSER STOCK NO.	Alps Part No.	Fig.	Dim.: mm			Operating Force	Travel (mm)	Operating Life	Features	Price Each			
			L	W	H					1	50	500	1000
688-SKPMBHE010	SKPMBHE010	E3	6	5.9	5	160g	1.3	100,000	Soft feeling, Metal contact	0,63	0,487	0,363	0,314
688-SKPRAAE010	SKPRAAE010	F4	7.5	7.8	6.5	500g	1	100,000	Soft feeling, Low-operating noise	0,36	0,322	0,272	0,256

## ALPS HIGH OPERATING FORCE AND LONG LIFE TYPE TACT SWITCHES

• Contact rating: 50mA @ 16V



For quantities greater than listed, call for quote.

MOUSER STOCK NO.	Alps Part No.	Fig.	Dim.: mm			Operating Force	Travel (mm)	Operating Life	Features	Price Each			
			L	W	H					1	50	500	1000
688-SKSGACE010	SKSGACE010	G	3	2.7	1.4	400g	0.12	200,000	Compact high operating force type, for automotive selections	0,29	0,264	0,223	0,206
688-SKSGPAE010	SKSGPAE010	G	3	2.7	1.4	400g	0.12	200,000	Compact high operating force type, for automotive selections	0,39	0,347	0,297	0,272

## ALPS CAPS AND KEYPOTS

• Contact rating: 50mA @ 12VDC max.



For quantities greater than listed, call for quote.

MOUSER STOCK NO.	Alps Part No.	Fig.	Dim.: mm			Features	Price Each				
			L	W	H		1	50	100	500	1000
688-SK2AA00010	SK2AA00010	H	10.0	10.0	3.0	Red keytop for joint stem type SKHC, SKQE	0,35	0,314	0,206	0,198	0,19
688-SK2AA00020	SK2AA00020	H	10.0	10.0	3.0	Blue keytop for joint stem type SKHC, SKQE	0,35	0,314	0,206	0,198	0,19
688-SK2AA00030	SK2AA00030	H	10.0	10.0	3.0	Ivory keytop for joint stem type SKHC, SKQE	0,35	0,314	0,206	0,198	0,19
688-SK2AA00040	SK2AA00040	H	10.0	10.0	3.0	Black keytop for joint stem type SKHC, SKQE	0,35	0,314	0,206	0,198	0,19

## ALPS SNAP-IN RADIAL TYPE TACTILE SWITCHES ON TAPE AND REEL

• Contact rating: 50mA @ 12VDC max.



For quantities greater than listed, call for quote.

MOUSER STOCK NO.	Alps Part No.	Fig.	Dim.: mm			Operating Force	Travel (mm)	Operating Life	Features	Price Each				Reel Qty.	Reel Price Each
			L	W	H					1	50	100	500		
688-SKQNA A	SKQNA A	I2	06	---	4.3	100 g	0.25	500,000	Sharp feeling, Black stem	0,22	0,165	0,149	0,124	2,000	0,091
688-SKQNA C	SKQNA C	I2	06	---	4.3	260 g	0.25	200,000	Sharp feeling, Gray stem	0,22	0,165	0,149	0,124	2,000	0,091
688-SKQNA D	SKQNA D	I2	06	---	5	100 g	0.25	500,000	Sharp feeling, Black stem	0,22	0,165	0,149	0,124	2,000	0,091
688-SKQNA E	SKQNA E	I2	06	---	5	160 g	0.25	500,000	Sharp feeling, White stem	0,22	0,165	0,149	0,124	2,000	0,091
688-SKQNA F	SKQNA F	I2	06	---	5	260 g	0.25	200,000	Sharp feeling, Gray stem	0,22	0,165	0,149	0,124	2,000	0,091
688-SKRGALD010	SKRGALD010	I2	06	---	7	100 g	0.25	500,000	Sharp feeling, Black stem	0,22	0,165	0,149	0,124	2,000	0,037
688-SKRGAAD010	SKRGAAD010	I2	6.2	6.2	3.6	130g	1	500,000	Sharp feeling, Black stem	0,46	0,421	0,38	0,347	2,000	0,257
688-SKRGABD010	SKRGABD010	I2	6.2	6.2	3.6	160g	0.25	500,000	Sharp feeling, White stem	0,46	0,421	0,38	0,347	2,000	0,257
688-SKQNA J	SKQNA J	I2	06	---	7	160 g	0.25	500,000	Sharp feeling, White stem	0,22	0,165	0,149	0,124	2,000	0,091
688-SKQNA K	SKQNA K	I2	06	---	7	260 g	0.25	200,000	Sharp feeling, Gray stem	0,22	0,165	0,149	0,124	2,000	0,091
688-SKQNA L	SKQNA L	I2	06	---	9.5	100 g	0.25	500,000	Sharp feeling, Black stem	0,22	0,165	0,149	0,124	2,000	0,091
688-SKQNA M	SKQNA M	I2	06	---	9.5	160 g	0.25	500,000	Sharp feeling, White stem	0,22	0,165	0,149	0,124	2,000	0,091
688-SKQNA N	SKQNA N	I2	06	---	9.5	200 g	0.25	200,000	Sharp feeling, Gray stem	0,22	0,165	0,149	0,124	2,000	0,091
688-SKPLAK	SKPLAK	J3	06.45	---	5	200 g	1.3	100,000	Soft feeling, Green stem	0,63	0,487	0,437	0,363	2,700	0,264
688-SKPLAF	SKPLAF	J3	06.45	---	5	250 g	1.3	100,000	Soft feeling, Yellow stem	0,63	0,487	0,437	0,363	2,700	0,264
688-SKPDAL	SKPDAL	L3	7.8	7.8	5	80 g	1.0	500,000	Soft feeling, Light gray stem	0,38	0,297	0,264	0,223	800	0,173
688-SKPDAM	SKPDAM	L3	7.8	7.8	5	120 g	1.0	500,000	Soft feeling, Light blue stem	0,39	0,297	0,264	0,223	800	0,173
688-SKPDAC	SKPDAC	L3	7.8	7.8	5.5	250 g	1.2	100,000	Soft feeling, Blue stem	0,46	0,363	0,322	0,264	800	0,206