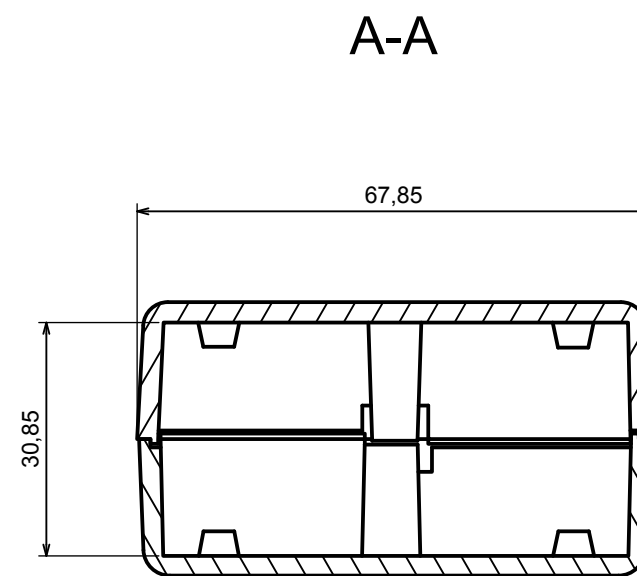

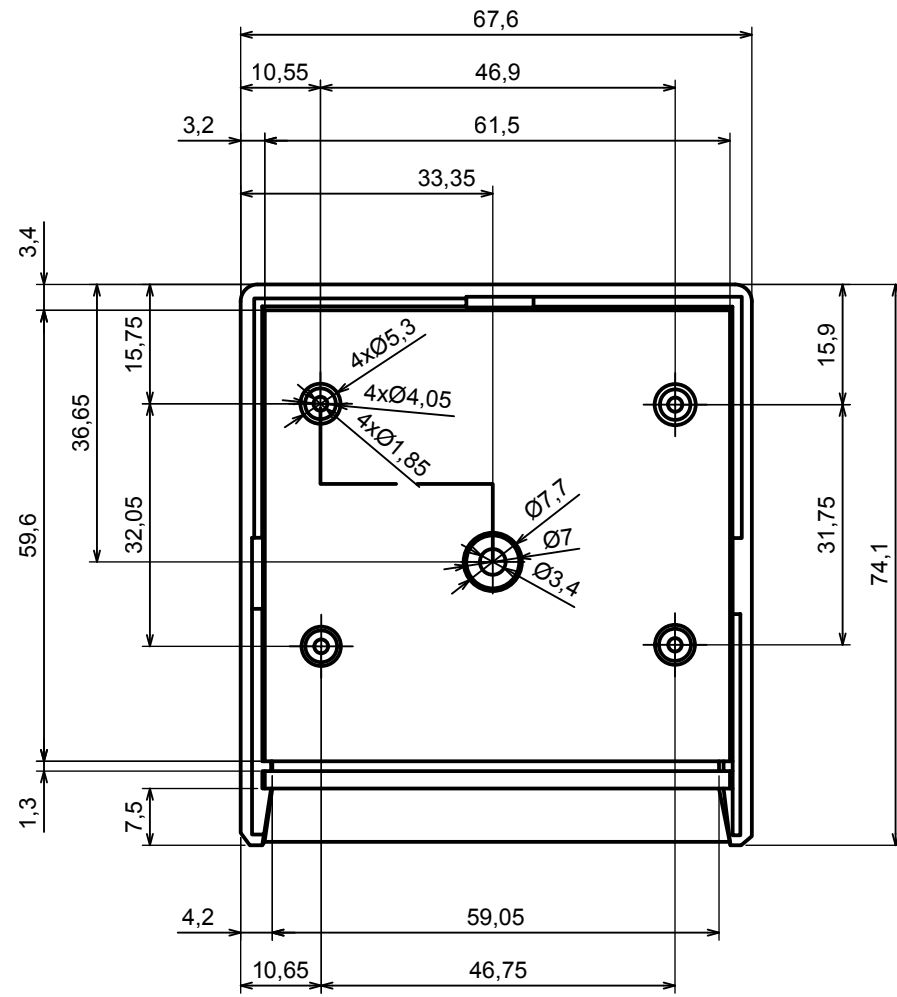


A |



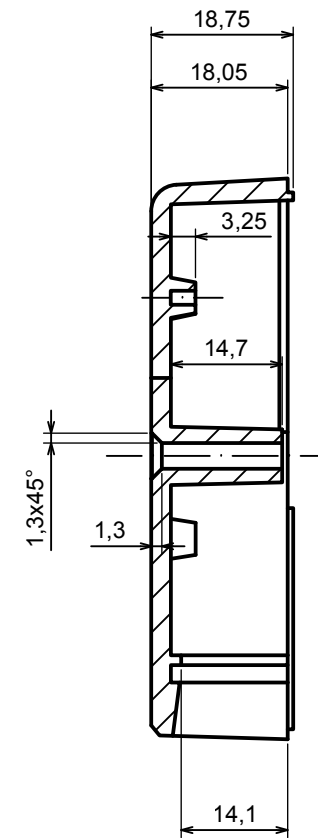
All rights reserved, Copyright Kradex 2017		
Product model	Enclosure Z60 - Assembly	
Format: A3	Material: PS, ABS	
Scale 1:1	Tolerance: +/- 0.8	

A |



A |

A-A



All rights reserved, Copyright Kradox 2017

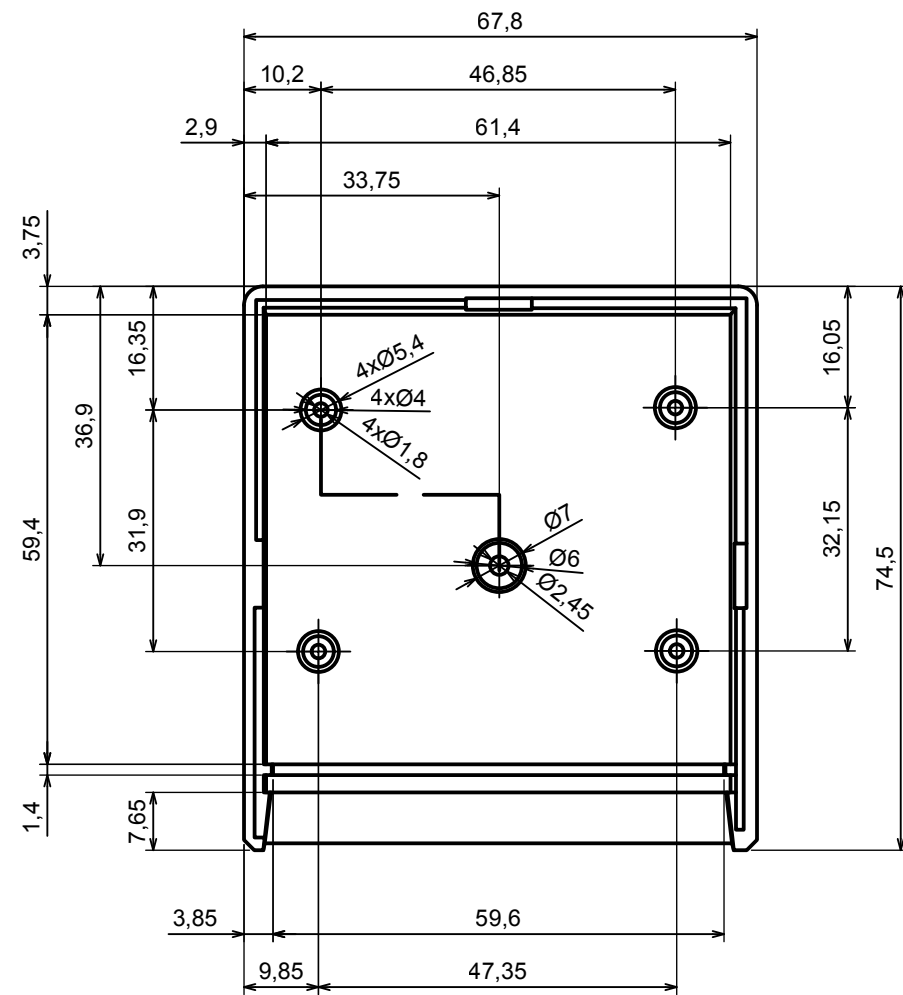
Product model Enclosure Z60 - Base

Format: A3 Material: PS, ABS

Scale 1:1 Tolerance: +/- 0.8

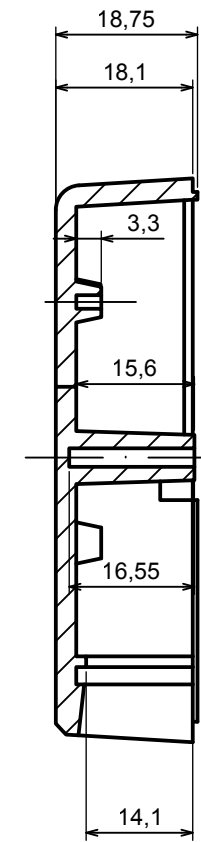



A |

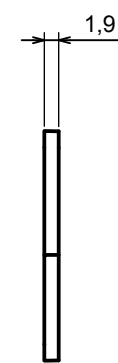


A |

A-A



All rights reserved, Copyright Kradox 2017		
Product model	Enclosure Z60 - Cover	
Format: A3	Material: PS, ABS	
Scale 1:1	Tolerance: +/- 0.8	



All rights reserved, Copyright Kradex 2017

Product model Enclosure Z60 - Board

Format: A3 Material: PS, ABS

Scale 1:1 Tolerance: +/- 0.8

