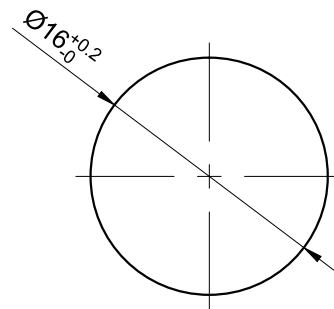
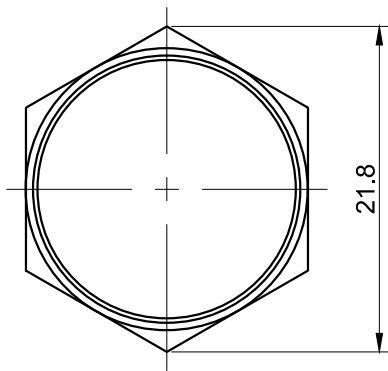
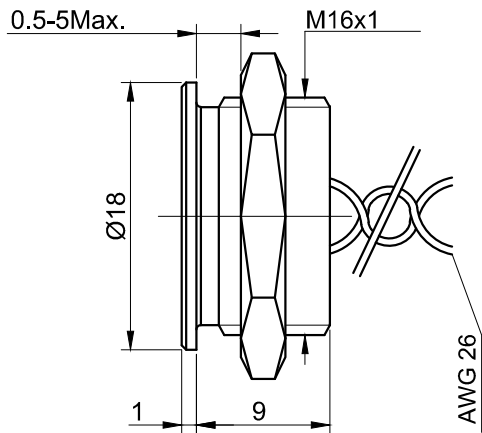
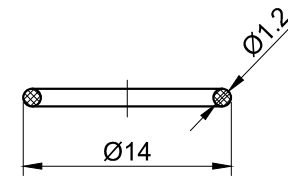


FOR 客户名称	APPROVED 客户确认签字	ATTN 销售负责人

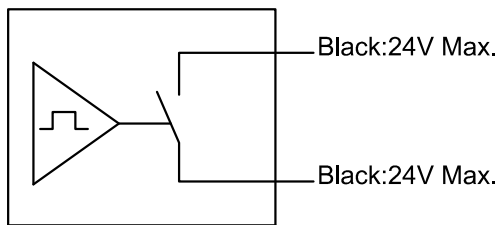


PANEL CUTOUT  
MAX.PANEL THICKNESS  
5 mm



Seal Ring

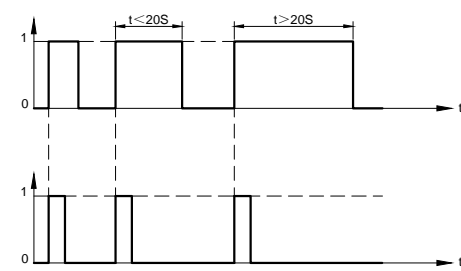
Part Number:PS161P10Y◆1



Wiring Diagram

"◆"	Colour/Materials
NT	Natural anodized (Al alloy)
BU	Blue anodized (Al alloy)
BK	Black anodized (Al alloy)
GD	Gold anodized (Al alloy)
RD	Red anodized (Al alloy)
SS	Stainless steel
GN	Green anodized (Al alloy)

Finger pressure applied to switch  
1=pressure  
0=no pressure



Output  
- Momentary NO (Pulse)  
No external power supply required

**SPECIFICATIONS:**

- 1.Switch Operation: Momentary NO (Pulse).
- 2.Max.Switch Rating: 200mA 24VAC/DC.
- 3.Operation Life: 50 Million cycles.
- 4.Operating Temperature: -40°C~ +75°C.
- 5.IP Class: IP69K.
- 6.Wiring: AWG 26, Length 300mm.
- 7.Operating Force: About 5~10N.

**MATERIALS:**

- 1.Body: Al Alloy/Stainless steel.

BRAND 品牌	<b>ONPOW</b>	<b>红波按钮制造有限公司</b> ONPOW PUSH BUTTON MANUFACTURE CO.,LTD.	
THESE DRAWINGS AND SPECIFICATIONS ARE THE PROPERTY OF ONPOW PUSH BUTTON MANUFACTURE CO.,LTD. AND SHALL NOT BE REPRODUCED COPIED OR USED IN ANY MANNER WITHOUT THE PRIOR WRITTEN CONSENT OF ONPOW PUSH BUTTON MANUFACTURE CO.,LTD.		USED 用途	APPD 审核 CH 2020/05/11
FINISH 处理		SCALE 比例 2 / 1	CHKD 校对 NCH 2020/05/11
DIMENSIONS		UNIT 单位 mm	DR. 制图 ZPD 2020/05/11
0.00 TO 18.00mm	±0.43mm	TITLE 名称 Piezo electric Switch	
18.01 TO 30.00mm	±0.52mm	DWG NO. 图号 PS161P10自复	
30.01 TO 50.00mm	±0.62mm	FILE NAME 档案名称 PS16.DWG	
50.01 TO 80.00mm	±0.74mm	SHEET 张 1 / 1	REV. 更改 1