

Specification of Temperature Probe

PART NUMBER: **TT4-PT1000B-T350-1500**

No. of pages: 1

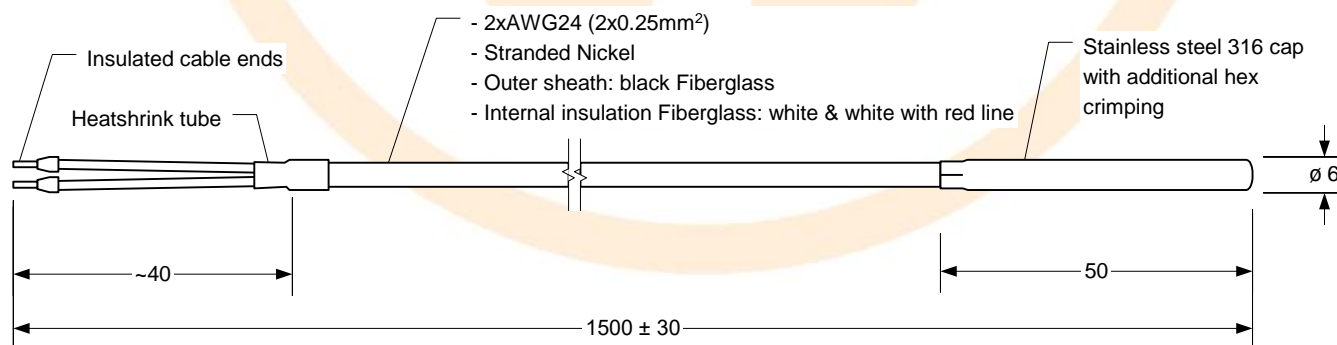
Date: **24.09.2015**

Revision: **00**

FEATURES:

| | |
|--|------------------|
| Sensing Element | PT1000 |
| Class according to EN 60751 | B |
| Temperature Coefficient | TCR = 3850 ppm/k |
| Operating temperature range | -40°C ÷ 350°C |
| Test Voltage | 1000V DC |
| International Protection Rating | IP 65 |
| RoHS Compatible | YES |

DRAWING:



UNITS: [mm]