

Momentary-contact foot switch, 2-pedal without cover, without latching, Metal enclosure IP65, Slow-action contacts 1 NO+1 NC
Cable entry M25 x 1.5



Product designation	momentary-contact foot switch
Suitability for use safety switch	No

General technical data

Protection class IP	IP65
Number of switching steps	1
Number of the actuation pedals	2
Minimum actuating force in activation direction	15 N
Number of NC contacts for auxiliary contacts	2
Number of NO contacts for auxiliary contacts	2
Operating current at AC-15	
• at 230 V rated value	16 A
• at 400 V rated value	16 A
Operating current at DC-13	
• at 24 V rated value	3 A
• at 250 V rated value	0.25 A

Enclosure

Material of the enclosure	metal
Color	

- of the enclosure
- of top part of the enclosure

black
grey

Actuator

Product feature

- interlock
- Latching

No
No

Safety related data

B10 value

- with high demand rate acc. to SN 31920

1 000 000

Proportion of dangerous failures

- with low demand rate acc. to SN 31920
- with high demand rate acc. to SN 31920

50 %
50 %

Failure rate [FIT]

- with low demand rate acc. to SN 31920

100 FIT

T1 value for proof test interval or service life acc. to IEC 61508

20 y

Cable entry type

M25 x 1.5

Ambient conditions

Ambient temperature

- during operation

-25 ... +80 °C

Installation/ mounting/ dimensions

(height)

68 mm

Width

193 mm

Depth

221 mm

Certificates/approvals

General Product Approval

Declaration of Conformity



[Miscellaneous](#)

Test Certificates

Marine / Shipping

other

[Miscellaneous](#)



[Confirmation](#)

Further information

Information- and Downloadcenter (Catalogs, Brochures,...)

<http://www.siemens.com/industrial-controls/catalogs>

Industry Mall (Online ordering system)

<https://mall.industry.siemens.com/mall/en/en/Catalog/product?mfb=3SE2932-0AB20>

Cax online generator

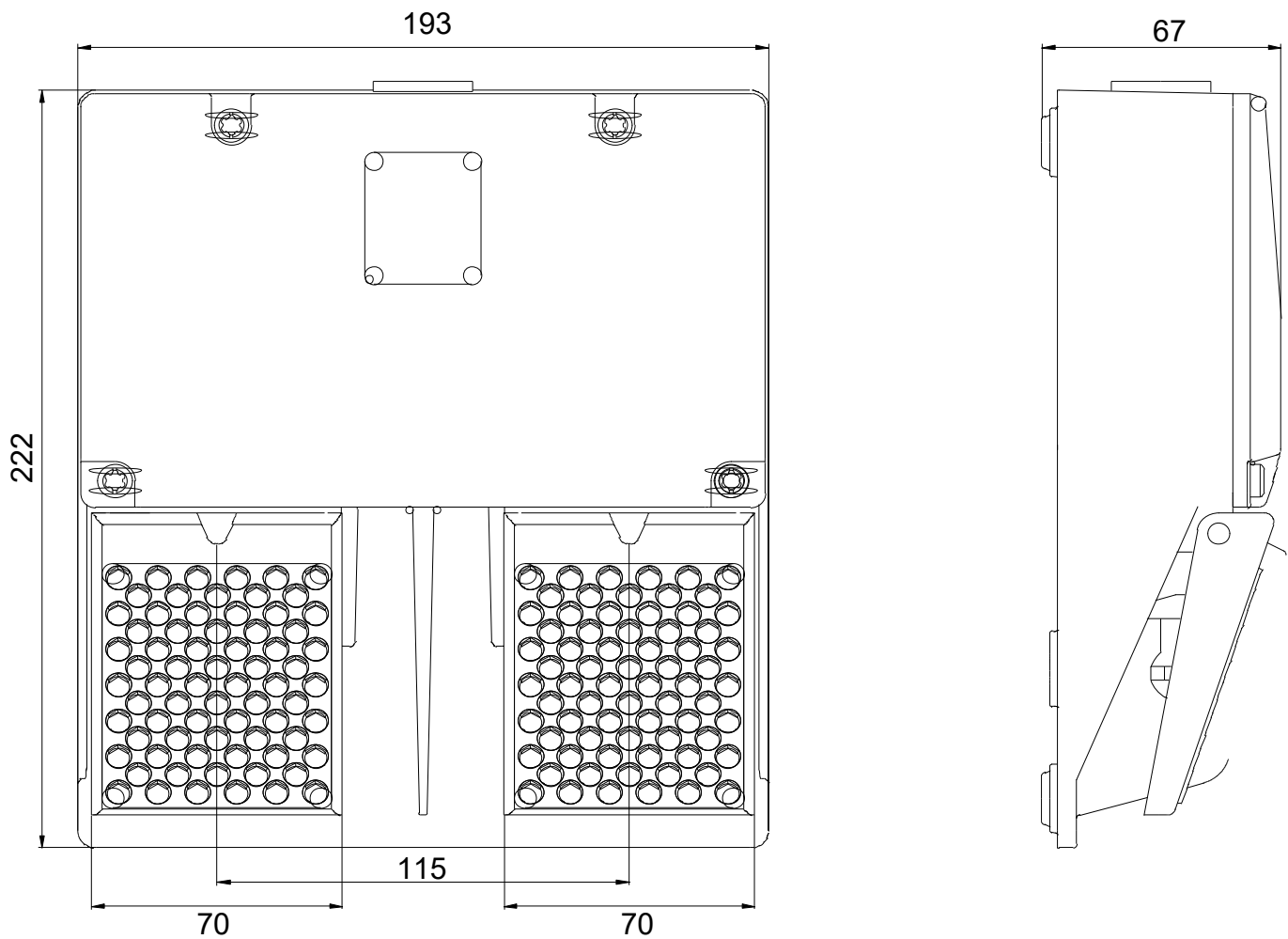
<http://support.automation.siemens.com/WW/CAXorder/default.aspx?lang=en&mfb=3SE2932-0AB20>

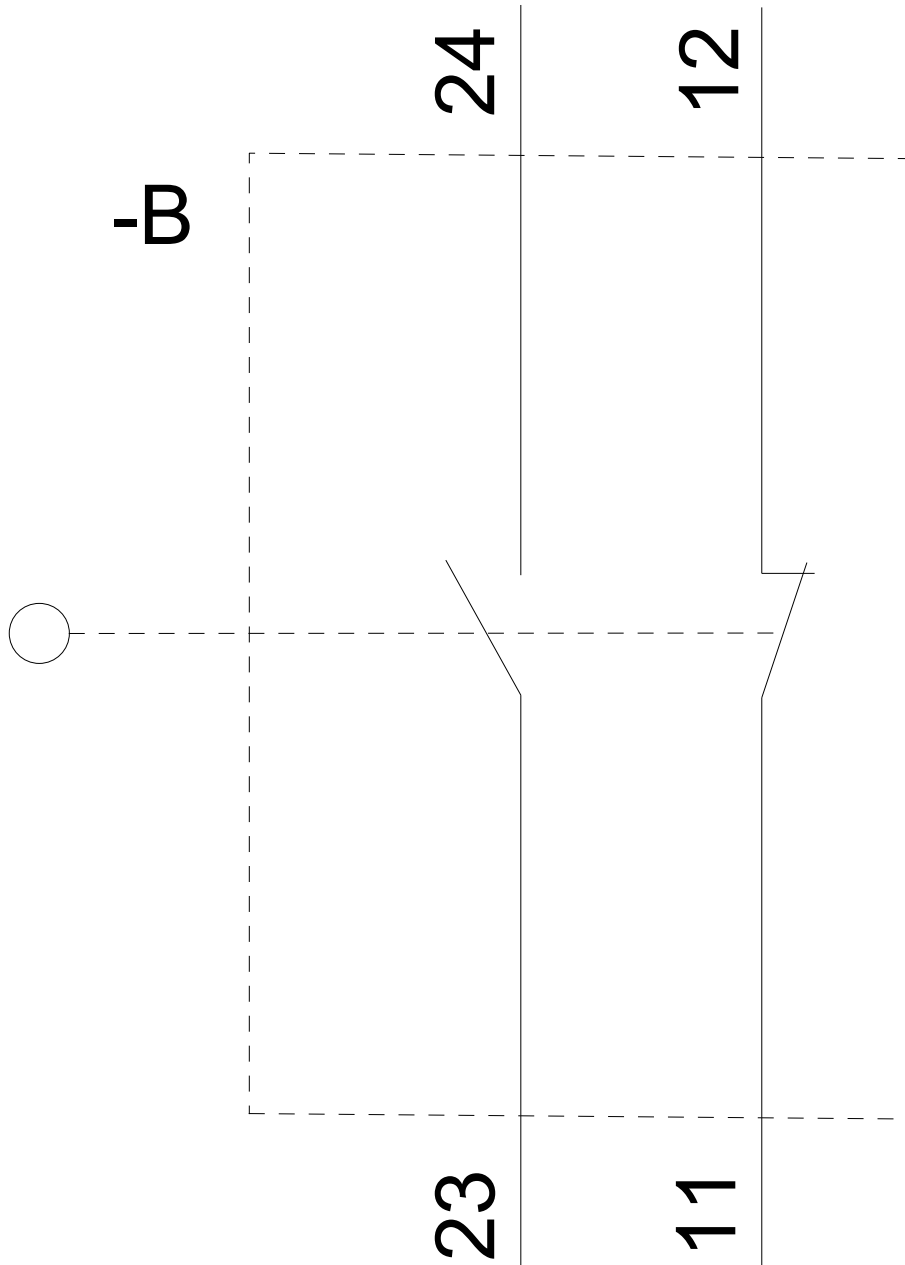
Service&Support (Manuals, Certificates, Characteristics, FAQs,...)

<https://support.industry.siemens.com/cs/ww/en/ps/3SE2932-0AB20>

Image database (product images, 2D dimension drawings, 3D models, device circuit diagrams, EPLAN macros, ...)

http://www.automation.siemens.com/bilddb/cax_de.aspx?mfb=3SE2932-0AB20&lang=en





last modified:

04/30/2019 [↗](#)