

REV.	DESCRIPTION	DRAWN	CHECKED	APPROVED
A	NEW RELEASE	LL 10/29/06'		

NOTES:

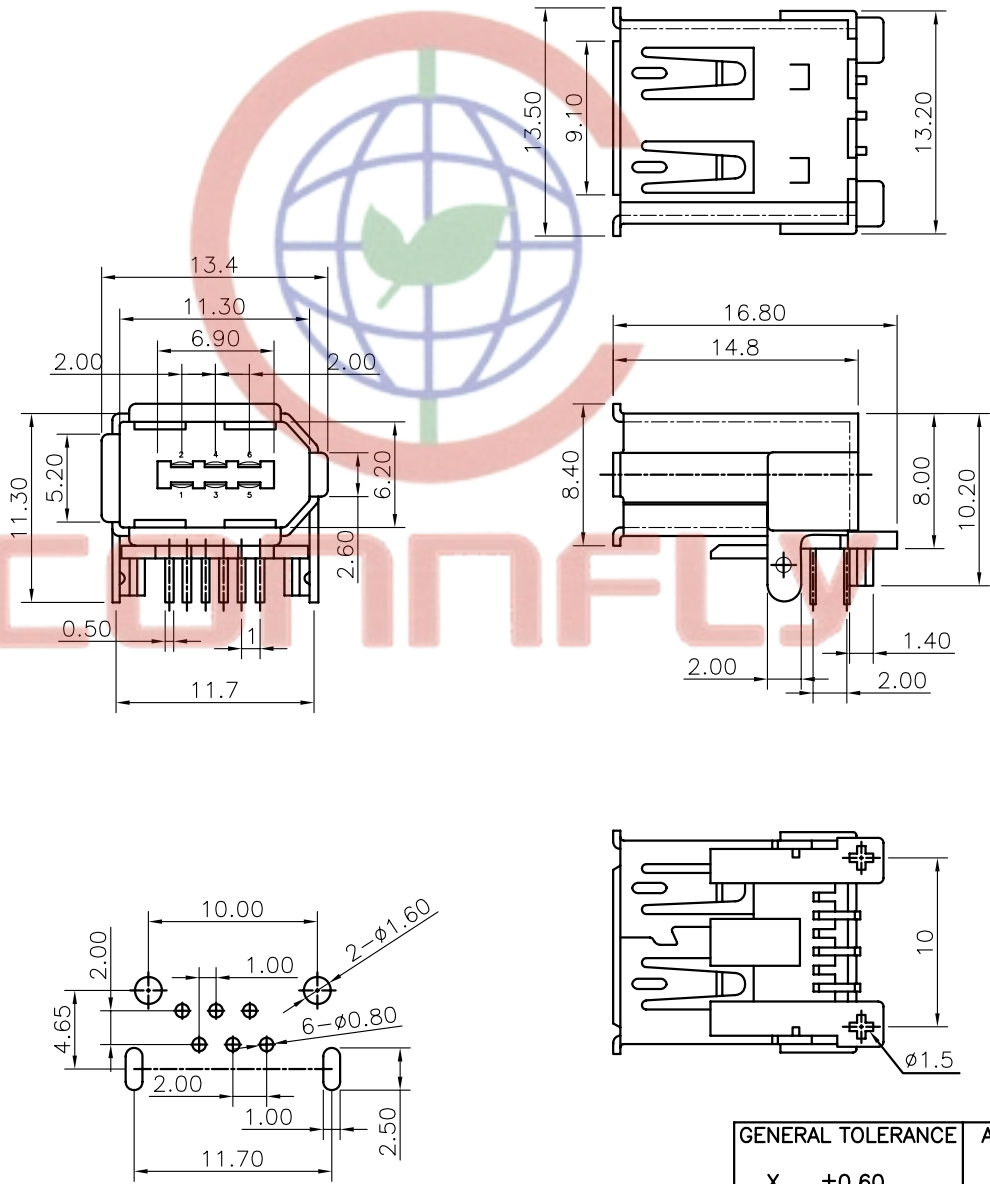
1. SPECIFICATIONS

- . Contact Resistance: 50mΩ max
- . Insulator Resistance: 100MΩ min.
- . Current Rating: 1.5 A.
- . Rated Voltage: 30V DC
- . Dielectric withstanding voltage: AC 100V For 1 minute
- . Contact: Copper Alloy
- . Housing: Thermoplastic(UL 94V-0)

2. PRODUCT NUMBER CODE:

DS1101 - X X X

- Contact plating
C: Selective 3u" gold
- Shell plating
N: Nickel
6: Tin
- Color of housing
B: Black



RECOMMEND P.C.B LAYOUT(TOLERANCE±0.05)

Tel: 86-574-63508787
Fax: 86-574-63510817

GENERAL TOLERANCE		ANGLE TOLERANCE		PROJECTION	mm	TITLE	
X.	±0.60	X.	±5°	UNITS	mm	IEEE 1394 Female 6PIN R/A TYPE	
.X	±0.38	.X	±3°	SHEET SIZE	A4	SERIES	DS1101 SERIES
.XX	±0.25	.XX	±2°				
DRAWING TYPE		CUSTOMER		晨翔电子有限公司 CONNFLY CONNFLY ELECTRONIC CO. LTD			
SCALE		1:1 SHEET 1 OF 1					
DRAWING NO.		C-DS1101-XXX					