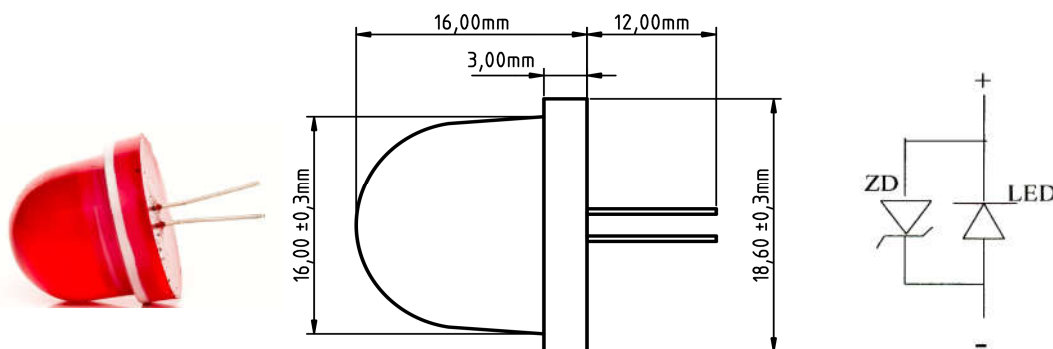




### LED DIODES $\Phi 16$ (CQL-7XX)



Nr	Type	Wave length	Lens colour	Luminosity [mcd] min - max	Angle of luminosity [degrees]	UF [V]	IF [mA] feed current
1.	CQL-731-2 ( O )	608	diffusive - orange	3000-3200	90	4,0-4,2	20
		608	diffusive - orange	750-800			
2.	CQL-733-2 ( R )	625	diffusive - red	2700-3000	90	4,0-4,2	20
		625	diffusive - red	650-700			
3.	CQL-733 / HV ( R )	625	diffusive - red	8000	90	33	7
		625	diffusive - red	1300-1500			
4.	CQL-734 ( B )	460-470	diffusive - blue	450-500	90	2,9-3,0	20
		460-470	diffusive - blue	140-150			
5.	CQL-734 / HV ( B )	460-470	diffusive - blue	2200-2500	90	11	20
		460-470	diffusive - blue	600-650			
6.	CQL-735-2 ( Y )	590-592	diffusive - yellow	2700-300	90	4,2-4,4	20
		590-592	diffusive - yellow	600-700			
7.	CQL-736 ( G )	525	diffusive - green	1700-1800	90	3,1-3,2	20
		525	diffusive - green	550-600			
8.	CQL-7100 ( W )	3000 K	diffusive - white	3400-3600	90	2,8-2,9	20
		3000 K	diffusive - white	900-1000			
9.	CQL-717 / WK (RG)	625	diffusive - white	2700-3000	90	4,0-4,2	20
		525		3,1-3,2			
10.	CQL-710 / WK (RGY)	625	diffusive - white	2700-3000	90	4,0-4,2	20
		525		1700-1800		3,1-3,2	
		590-592		2700-3000		4,2-4,4	
11.	CQL-710 / WK (RGB)	625	diffusive - white	2700-3000	90	4,0-4,2	20
		525		1700-1800		3,1-3,2	
		460-470		450-500		2,9-3,0	

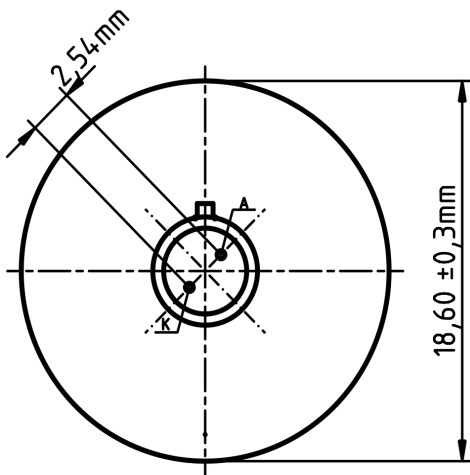
### BLINKING LED DIODES $\Phi 16$ (CQL-7XX / MZ)

Nr	Type	Wave length	Lens colour	Luminosity [mcd] min - max	Angle of luminosity [degrees]	UF [V]	IF [mA] feed current
1.	CQL-733 / MZ ( R )	625	diffusive - red	2700-3000	120	5,0-15	20
2.	CQL-734 / MZ ( B )	460-470	diffusive - blue	450-500	120	6,0-15	20
3.	CQL-735 / MZ ( Y )	590-592	diffusive - yellow	2700-3000	120	5,0-15	20

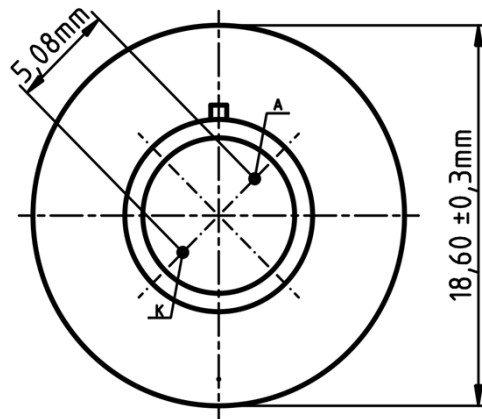
Blinking frequency: 2,4 Hz

Spacing of pins in particular types of 16mm LED diodes:

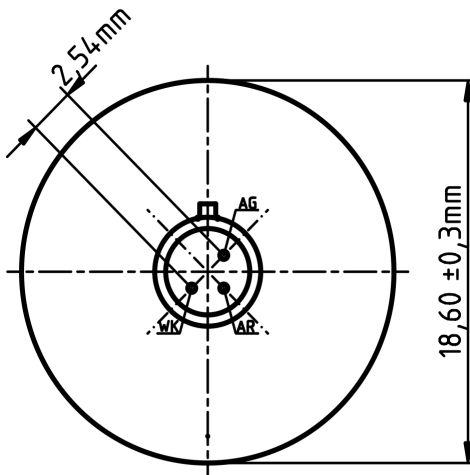
single-colors and flashing diodes



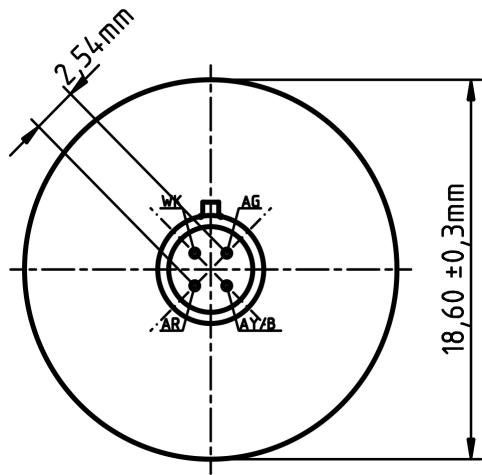
high voltage diodes (HV)



bicolor diodes



three-colored diodes



All LED diodes  $\Phi 16$  have an internal zener chip as a surge protector.

Update date : 02-01-2019