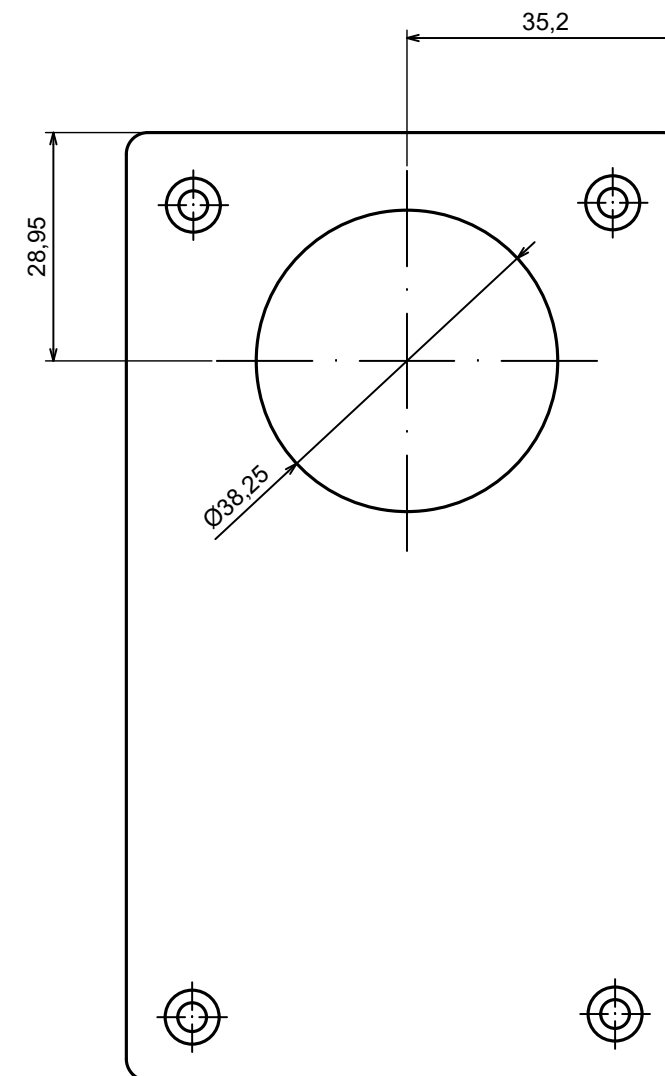
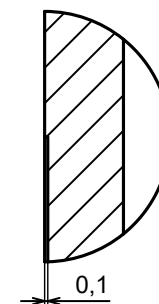


C (4:1)



All rights reserved, Copyright Kradex 2016

Product model Enclosure Z30A - base

Format: A3 Material: PS, ABS

Scale 1:1 Tolerance: +/- 0.5

