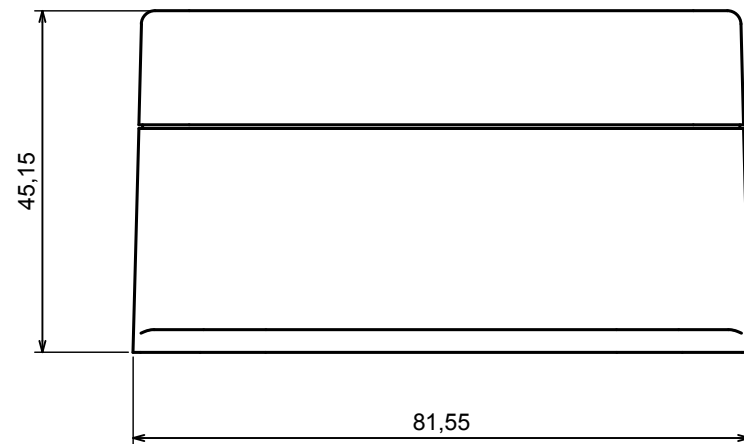
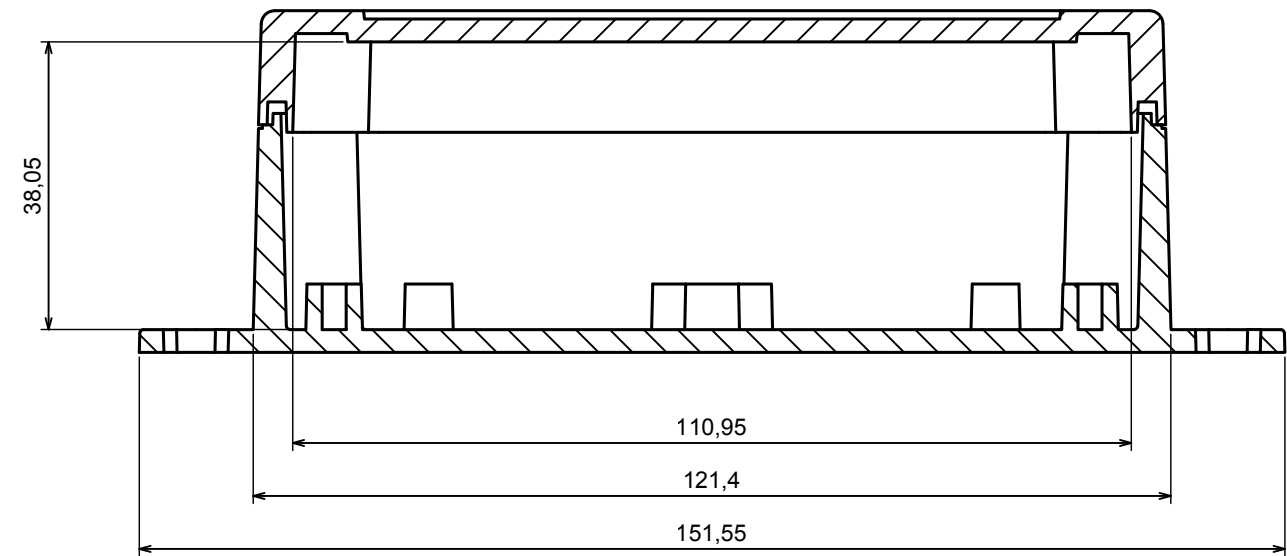


A |



A |

A-A



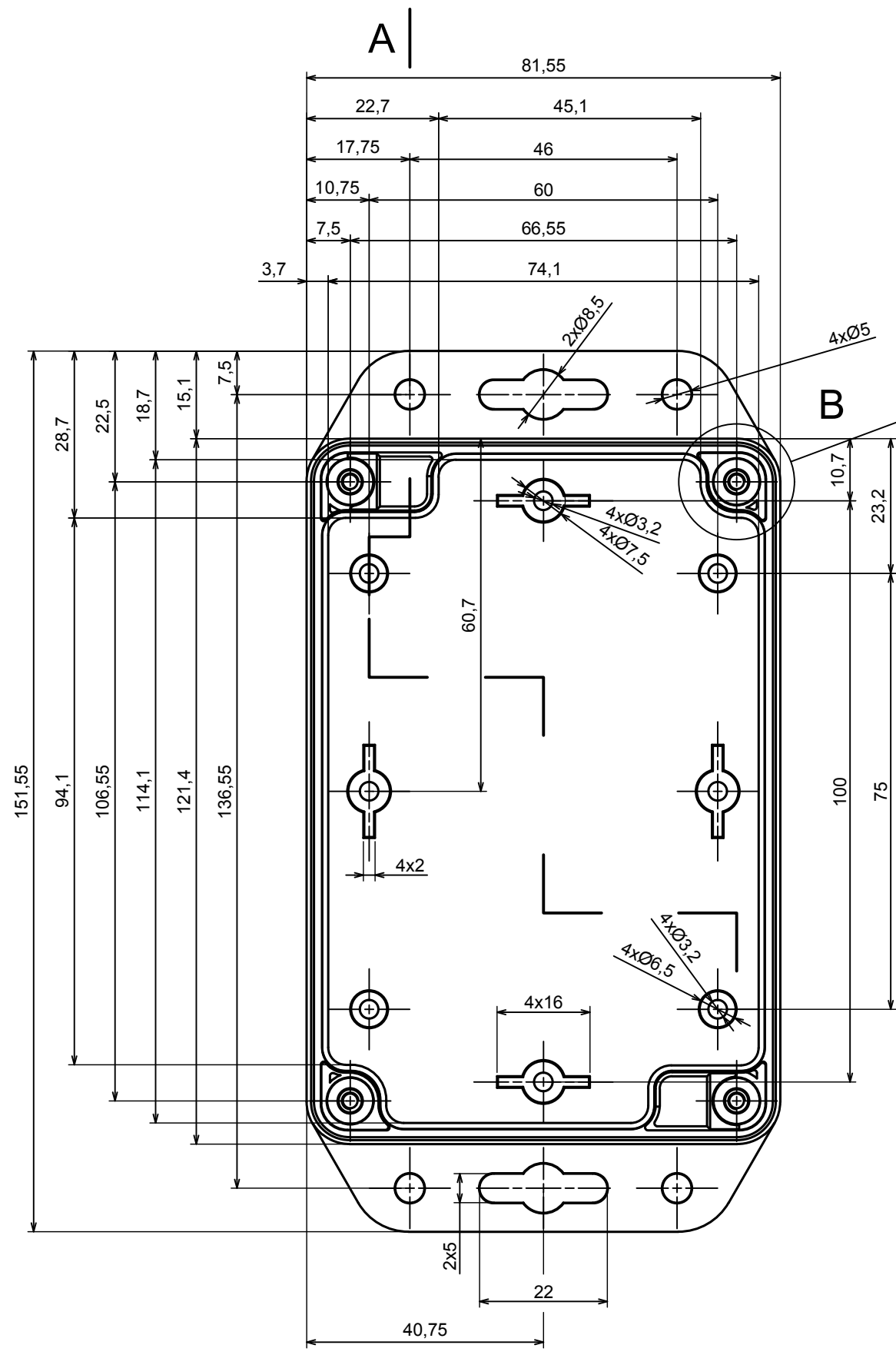
All rights reserved, Copyright Kradox 2019

Product model Enclosure ZP120.80.45U TM - Assembly

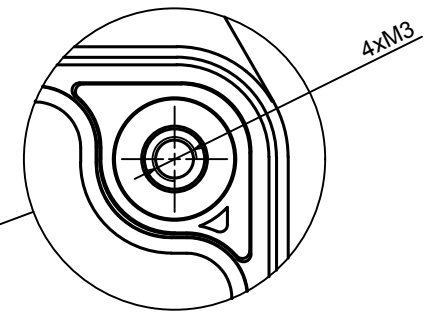
Format: A3 Material: PC, ABS

Scale 1:1 Tolerance: +/- 0.5

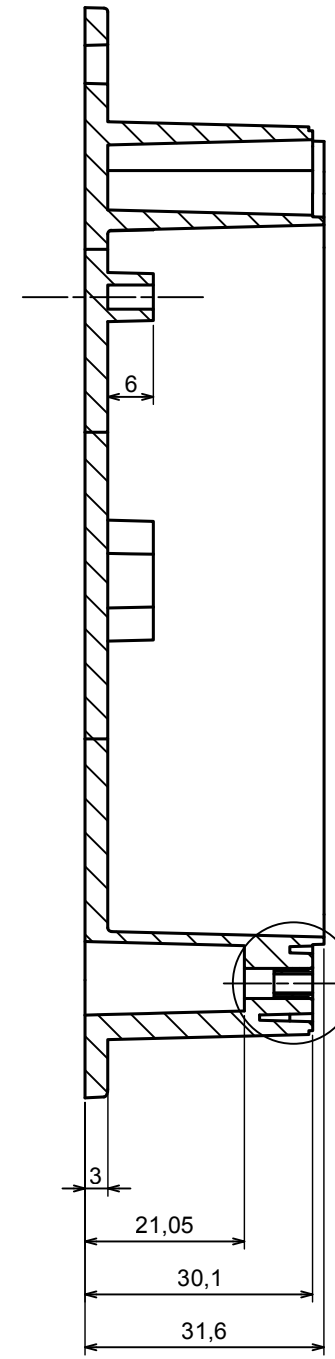




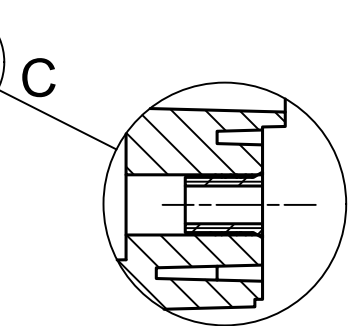
B (2:1)



A-A



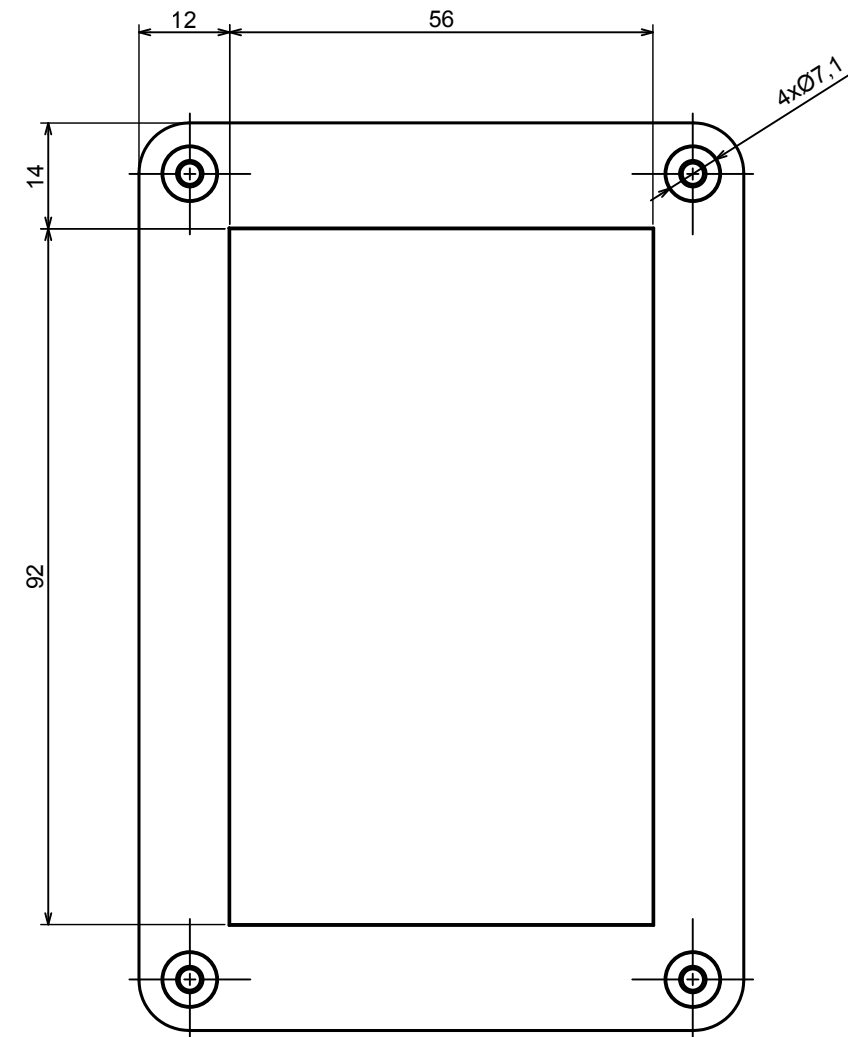
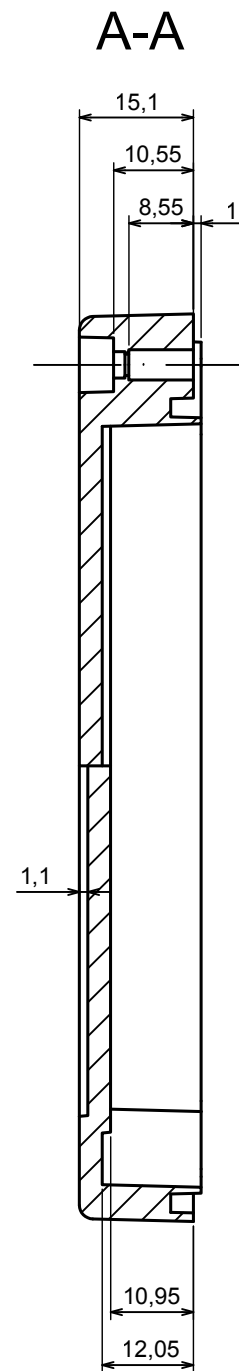
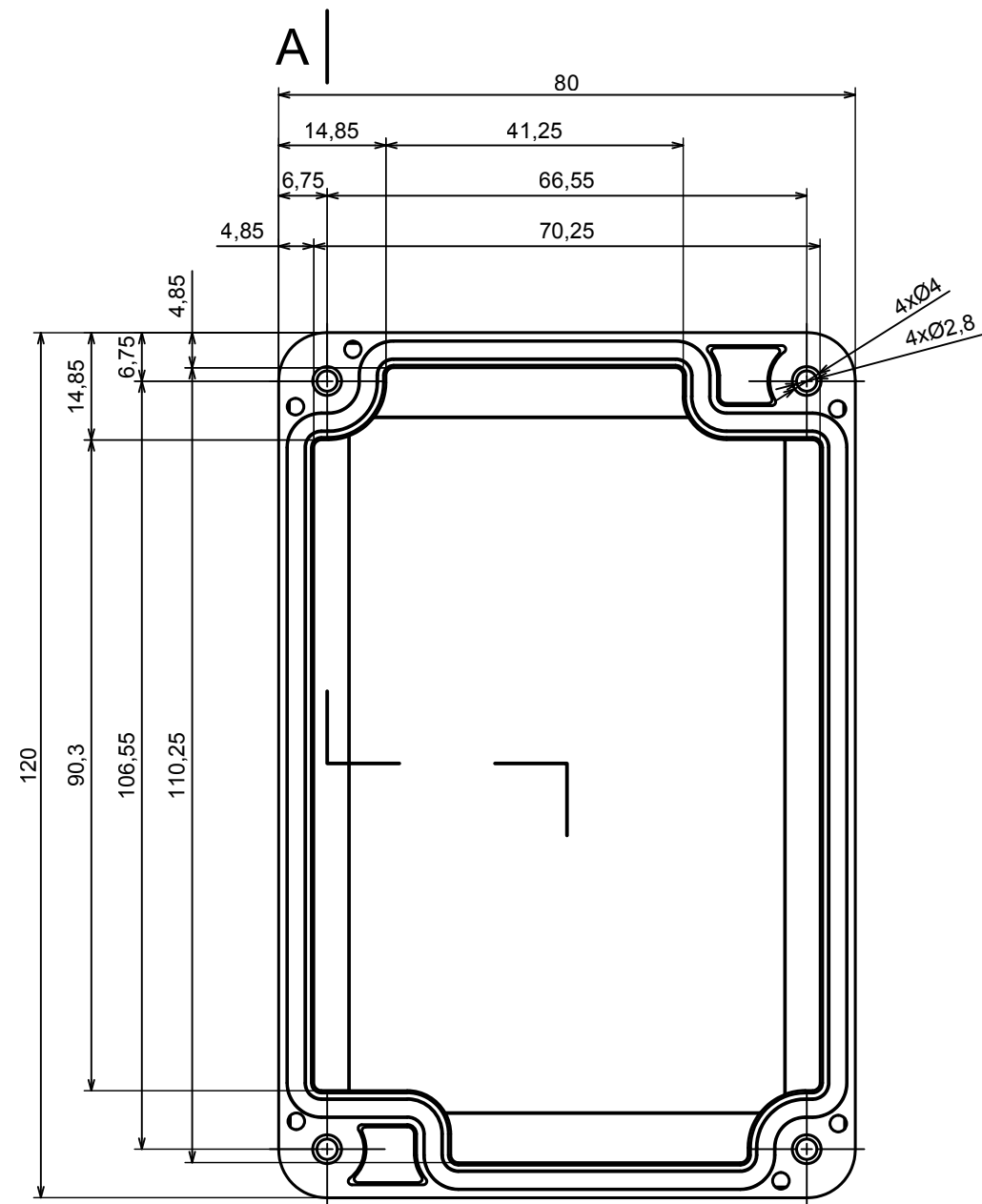
C (2:1)



A |

All rights reserved, Copyright Kradox 2019	
Product model	Enclosure ZP120.80.45U TM - Base ZP120.80 30U TM
Format: A3	Material: PC, ABS
Scale 1:1	Tolerance: +/- 0.5





A |

All rights reserved, Copyright Kradox 2019

Product model: Enclosure ZP120.80.45U TM - Cover ZP120.80.15

Format: A3 Material: PC, ABS

Scale 1:1 Tolerance: +/- 0.5

