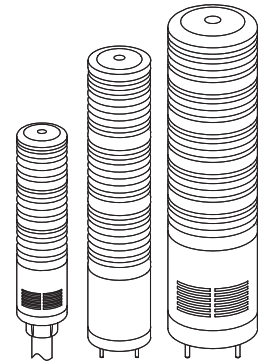


LED Steady/Flashing Tower Lights

ST45/ ST56/ ST80



Thank you for purchasing Qlight's products. Please read this user manual carefully prior to installation and operation to ensure safe and correct use.

⚠️ Precautions for Safety

Failure to follow the instructions below may cause a loss of life or serious physical injury.

1. During wiring or maintenance, please completely turn off the power of the product. (Failure to follow this may lead to an electric shock.)
2. Do not install the product in locations that subjects it to excessive dust or water other than the conditions designated by the IP protection ratings indicated for each product. (Failure to follow these instructions may cause a fire to the product, electric shock, physical injury, malfunction or damage to the product.)
3. Do not alter or repair this product. If maintenance or repair service is required, please contact your local Qlight contact point. (Failure to follow these instructions may lead to fire, electric shock, or product damage.)
4. Please apply the correct voltage to the product. (Failure to follow these instructions may lead to fire, electric shock, or product damage.)
5. When the product is applied to a condition that may impact lives or property, please make sure to have a double safety device. (Failure to follow this may cause damage to property, fire, electric shock and loss of life.)

⚠️ Precautions for Correct Use

Failure to follow the proper instructions may cause damage to property, the product, or malfunction of the product that would void the warranty.

1. Please remove any objects that can interrupt ventilation around the product.
2. Please turn off the power of the product immediately if it fails to operate properly.
3. Carefully wire the product according to each product's specification.
4. Please be careful in preventing chemicals such as thinner, benzene, etc. in contact with the surface of the product.
5. Do not apply excessive force/impact to the product.
6. Failure to follow any of the instructions above may cause malfunction or damage to the product, fire, and electric shock.



Please scan the QR code for more detailed product information.

www.qlight.com

Ordering Specifications

ST45/ 56ML	3	110/220	RAG	ST45/ 56L	3	110/220	RAG	LW18
[Model number]	[Layer count]	[Voltage]	[Color]	[Model number]	[Layer count]	[Voltage]	[Color]	[Mounting option]
<ul style="list-style-type: none"> • ST45/ 56ML • ST45/ 56ML-BZ • ST45/ 56ML-WS • ST45/ 56ML-WM • ST45/ 56ML-WA • ST45/ 56MLF • ST45/ 56MLF-BZ • ST45/ 56MLF-WS • ST45/ 56MLF-WM • ST45/ 56MLF-WA 	<ul style="list-style-type: none"> • 1 Layer • 2 Layers • 3 Layers • 4 Layers • 5 Layers 	<ul style="list-style-type: none"> • 12-DC12V • 24-DC24V • 110-AC110V • 220-AC220V 	<ul style="list-style-type: none"> R-Red A-Amber G-Green B-Blue W-White 	<ul style="list-style-type: none"> • ST45/ 56L • ST45/ 56L-BZ • ST45/ 56L-WS • ST45/ 56L-WM • ST45/ 56L-WA • ST45/ 56LF • ST45/ 56LF-BZ • ST45/ 56LF-WS • ST45/ 56LF-WM • ST45/ 56LF-WA 	<ul style="list-style-type: none"> • 1 Layer • 2 Layers • 3 Layers • 4 Layers • 5 Layers 	<ul style="list-style-type: none"> • 12-DC12V • 24-DC24V • 110-AC110V • 220-AC220V 	<ul style="list-style-type: none"> R-Red A-Amber G-Green B-Blue W-White 	<ul style="list-style-type: none"> • (Blank) - Standard type • Mounting type - LB18 - LW18 - QZ18 - SZ18 - QL18 - SL18 - QLA18



ST80ML	3	110/220	RAG	ST80L	3	110/220	RAG	LW24
[Model number]	[Layer count]	[Voltage]	[Color]	[Model number]	[Layer count]	[Voltage]	[Color]	[Mounting option]
<ul style="list-style-type: none"> • ST80ML • ST80ML-BZ • ST80ML-WS • ST80ML-WM • ST80ML-WA • ST80MLF • ST80MLF-BZ • ST80MLF-WS • ST80MLF-WM • ST80MLF-WA 	<ul style="list-style-type: none"> • 1 Layer • 2 Layers • 3 Layers • 4 Layers • 5 Layers 	<ul style="list-style-type: none"> • 12-DC12V • 24-DC24V • 110-AC110V • 220-AC220V 	<ul style="list-style-type: none"> R-Red A-Amber G-Green B-Blue W-White 	<ul style="list-style-type: none"> • ST80L • ST80L-BZ • ST80L-WS • ST80L-WM • ST80L-WA • ST80LF • ST80LF-BZ • ST80LF-WS • ST80LF-WM • ST80LF-WA 	<ul style="list-style-type: none"> • 1 Layer • 2 Layers • 3 Layers • 4 Layers • 5 Layers 	<ul style="list-style-type: none"> • 12-DC12V • 24-DC24V • 110-AC110V • 220-AC220V 	<ul style="list-style-type: none"> R-Red A-Amber G-Green B-Blue W-White 	<ul style="list-style-type: none"> • (Blank) - Standard type • Mounting type - LB24 - LW24 - QZ24 - SZ24 - QL24 - SL24 - QLA24

ST56MEL	3	110/220	RAG	ST56EL	3	110/220	RAG	LW18
[Model number]	[Layer count]	[Voltage]	[Color]	[Model number]	[Layer count]	[Voltage]	[Color]	[Mounting option]
<ul style="list-style-type: none"> • ST56MEL • ST56MEL-BZ • ST56MEL-WS • ST56MEL-WM • ST56MEL-WA • ST56MELF • ST56MELF-BZ • ST56MELF-WS • ST56MELF-WM • ST56MELF-WA 	<ul style="list-style-type: none"> • 1 Layer • 2 Layers • 3 Layers • 4 Layers • 5 Layers 	<ul style="list-style-type: none"> • 12-DC12V • 24-DC24V • 110-AC110V • 220-AC220V 	<ul style="list-style-type: none"> R-Red A-Amber G-Green B-Blue W-White 	<ul style="list-style-type: none"> • ST56EL • ST56EL-BZ • ST56EL-WS • ST56EL-WM • ST56EL-WA • ST56ELF • ST56ELF-BZ • ST56ELF-WS • ST56ELF-WM • ST56ELF-WA 	<ul style="list-style-type: none"> • 1 Layer • 2 Layers • 3 Layers • 4 Layers • 5 Layers 	<ul style="list-style-type: none"> • 12-DC12V • 24-DC24V • 110-AC110V • 220-AC220V 	<ul style="list-style-type: none"> R-Red A-Amber G-Green B-Blue W-White 	<ul style="list-style-type: none"> • (Blank) - Standard type • Mounting type - LB18 - LW18 - QZ18 - SZ18 - QL18 - SL18 - QLA18



ST80MEL	3	110/220	RAG	ST80EL	3	110/220	RAG	LW24
[Model number]	[Layer count]	[Voltage]	[Color]	[Model number]	[Layer count]	[Voltage]	[Color]	[Mounting option]
<ul style="list-style-type: none"> • ST80MEL • ST80MEL-BZ • ST80MEL-WS • ST80MEL-WM • ST80MEL-WA • ST80MELF • ST80MELF-BZ • ST80MELF-WS • ST80MELF-WM • ST80MELF-WA 	<ul style="list-style-type: none"> • 1 Layer • 2 Layers • 3 Layers • 4 Layers • 5 Layers 	<ul style="list-style-type: none"> • 12-DC12V • 24-DC24V • 110-AC110V • 220-AC220V 	<ul style="list-style-type: none"> R-Red A-Amber G-Green B-Blue W-White 	<ul style="list-style-type: none"> • ST80EL • ST80EL-BZ • ST80EL-WS • ST80EL-WM • ST80EL-WA • ST80ELF • ST80ELF-BZ • ST80ELF-WS • ST80ELF-WM • ST80ELF-WA 	<ul style="list-style-type: none"> • 1 Layer • 2 Layers • 3 Layers • 4 Layers • 5 Layers 	<ul style="list-style-type: none"> • 12-DC12V • 24-DC24V • 110-AC110V • 220-AC220V 	<ul style="list-style-type: none"> R-Red A-Amber G-Green B-Blue W-White 	<ul style="list-style-type: none"> • (Blank) - Standard type • Mounting type - LB24 - LW24 - QZ24 - SZ24 - QL24 - SL24 - QLA24

Product Specifications



•ST45ML

Model number	Layer count	Voltage	Current	Certificate	Weight	Color
* ST45ML * ST45ML-BZ ST45ML-WS ST45ML-WM ST45ML-WA * ST45MLF * ST45MLF-BZ ST45MLF-WS ST45MLF-WM ST45MLF-WA	1	AC/DC12V AC/DC24V AC110V AC220V	Max. 0.040A Max. 0.040A Max. 0.024A Max. 0.012A	 DC24V only  DC24V only	0.19kg 0.19kg 0.25kg 0.25kg	R-Red
	2	AC/DC12V AC/DC24V AC110V AC220V	Max. 0.080A Max. 0.080A Max. 0.026A Max. 0.013A		0.21kg 0.21kg 0.29kg 0.29kg	R-Red G-Green
	3	AC/DC12V AC/DC24V AC110V AC220V	Max. 0.120A Max. 0.120A Max. 0.028A Max. 0.014A		0.25kg 0.25kg 0.34kg 0.34kg	R-Red A-Amber G-Green
	4	AC/DC12V AC/DC24V AC110V AC220V	Max. 0.160A Max. 0.160A Max. 0.031A Max. 0.015A		0.30kg 0.30kg 0.38kg 0.38kg	R-Red A-Amber G-Green B-Blue
	5	AC/DC12V AC/DC24V AC110V AC220V	Max. 0.200A Max. 0.200A Max. 0.033A Max. 0.016A		0.34kg 0.34kg 0.42kg 0.42kg	R-Red A-Amber G-Green B-Blue W-White



•ST45L

Model number	Layer count	Voltage	Current	Certificate	Weight	Color
* ST45L * ST45L-BZ ST45L-WS ST45L-WM ST45L-WA * ST45LF * ST45LF-BZ ST45LF-WS ST45LF-WM ST45LF-WA	1	AC/DC12V AC/DC24V AC110V AC220V	Max. 0.040A Max. 0.040A Max. 0.024A Max. 0.012A	 DC24V only  DC24V only	0.35kg 0.35kg 0.45kg 0.45kg	R-Red
	2	AC/DC12V AC/DC24V AC110V AC220V	Max. 0.080A Max. 0.080A Max. 0.026A Max. 0.013A		0.39kg 0.39kg 0.44kg 0.49kg	R-Red G-Green
	3	AC/DC12V AC/DC24V AC110V AC220V	Max. 0.120A Max. 0.120A Max. 0.028A Max. 0.014A		0.44kg 0.44kg 0.54kg 0.54kg	R-Red A-Amber G-Green
	4	AC/DC12V AC/DC24V AC110V AC220V	Max. 0.160A Max. 0.160A Max. 0.031A Max. 0.015A		0.48kg 0.48kg 0.58kg 0.58kg	R-Red A-Amber G-Green B-Blue
	5	AC/DC12V AC/DC24V AC110V AC220V	Max. 0.200A Max. 0.200A Max. 0.033A Max. 0.016A		0.52kg 0.52kg 0.62kg 0.62kg	R-Red A-Amber G-Green B-Blue W-White



•ST56MEL

Model number	Layer count	Voltage	Current	Certificate	Weight	Color
* ST56MEL * ST56MEL-BZ ST56MEL-WS ST56MEL-WM ST56MEL-WA * ST56MELF * ST56MELF-BZ ST56MELF-WS ST56MELF-WM ST56MELF-WA	1	AC/DC12V AC/DC24V AC110V AC220V	Max. 0.060A Max. 0.040A Max. 0.044A Max. 0.022A	 DC24V only  DC24V only	0.26kg 0.26kg 0.42kg 0.42kg	R-Red
	2	AC/DC12V AC/DC24V AC110V AC220V	Max. 0.120A Max. 0.080A Max. 0.048A Max. 0.024A		0.32kg 0.32kg 0.48kg 0.48kg	R-Red G-Green
	3	AC/DC12V AC/DC24V AC110V AC220V	Max. 0.180A Max. 0.120A Max. 0.053A Max. 0.026A		0.37kg 0.37kg 0.54kg 0.54kg	R-Red A-Amber G-Green
	4	AC/DC12V AC/DC24V AC110V AC220V	Max. 0.240A Max. 0.160A Max. 0.057A Max. 0.028A		0.43kg 0.43kg 0.59kg 0.59kg	R-Red A-Amber G-Green B-Blue
	5	AC/DC12V AC/DC24V AC110V AC220V	Max. 0.300A Max. 0.200A Max. 0.062A Max. 0.031A		0.49kg 0.49kg 0.65kg 0.65kg	R-Red A-Amber G-Green B-Blue W-White



•ST56EL

Model number	Layer count	Voltage	Current	Certificate	Weight	Color
* ST56EL * ST56EL-BZ ST56EL-WS ST56EL-WM ST56EL-WA * ST56ELF * ST56ELF-BZ ST56ELF-WS ST56ELF-WM ST56ELF-WA	1	AC/DC12V AC/DC24V AC110V AC220V	Max. 0.060A Max. 0.040A Max. 0.044A Max. 0.022A	 DC24V only  DC24V only	0.41kg 0.41kg 0.57kg 0.57kg	R-Red
	2	AC/DC12V AC/DC24V AC110V AC220V	Max. 0.120A Max. 0.080A Max. 0.048A Max. 0.024A		0.47kg 0.47kg 0.62kg 0.62kg	R-Red G-Green
	3	AC/DC12V AC/DC24V AC110V AC220V	Max. 0.180A Max. 0.120A Max. 0.053A Max. 0.026A		0.52kg 0.52kg 0.68kg 0.68kg	R-Red A-Amber G-Green
	4	AC/DC12V AC/DC24V AC110V AC220V	Max. 0.240A Max. 0.160A Max. 0.057A Max. 0.028A		0.58kg 0.58kg 0.74kg 0.74kg	R-Red A-Amber G-Green B-Blue
	5	AC/DC12V AC/DC24V AC110V AC220V	Max. 0.300A Max. 0.200A Max. 0.062A Max. 0.031A		0.63kg 0.63kg 0.75kg 0.75kg	R-Red A-Amber G-Green B-Blue W-White

•ST56ML

Model number	Layer count	Voltage	Current	Certificate	Weight	Color
* ST56ML * ST56ML-BZ ST56ML-WS ST56ML-WM ST56ML-WA * ST56MLF * ST56MLF-BZ ST56MLF-WS ST56MLF-WM ST56MLF-WA	1	AC/DC12V AC/DC24V AC110V AC220V	Max. 0.120A Max. 0.080A Max. 0.048A Max. 0.024A	 DC24V only  DC24V only	0.22kg 0.22kg 0.45kg 0.45kg	R-Red
	2	AC/DC12V AC/DC24V AC110V AC220V	Max. 0.240A Max. 0.160A Max. 0.057A Max. 0.028A		0.30kg 0.30kg 0.53kg 0.53kg	R-Red G-Green
	3	AC/DC12V AC/DC24V AC110V AC220V	Max. 0.360A Max. 0.240A Max. 0.066A Max. 0.033A		0.38kg 0.38kg 0.61kg 0.61kg	R-Red A-Amber G-Green
	4	AC/DC12V AC/DC24V AC110V AC220V	Max. 0.480A Max. 0.320A Max. 0.075A Max. 0.037A		0.46kg 0.46kg 0.70kg 0.70kg	R-Red A-Amber G-Green B-Blue
	5	AC/DC12V AC/DC24V AC110V AC220V	Max. 0.600A Max. 0.400A Max. 0.082A Max. 0.041A		0.54kg 0.54kg 0.78kg 0.78kg	R-Red A-Amber G-Green B-Blue W-White

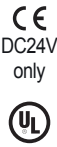
•ST56L

Model number	Layer count	Voltage	Current	Certificate	Weight	Color
* ST56L * ST56L-BZ ST56L-WS ST56L-WM ST56L-WA * ST56LF * ST56LF-BZ ST56LF-WS ST56LF-WM ST56LF-WA	1	AC/DC12V AC/DC24V AC110V AC220V	Max. 0.120A Max. 0.080A Max. 0.048A Max. 0.024A	 DC24V only  DC24V only	0.44kg 0.44kg 0.60kg 0.60kg	R-Red
	2	AC/DC12V AC/DC24V AC110V AC220V	Max. 0.240A Max. 0.160A Max. 0.057A Max. 0.028A		0.52kg 0.52kg 0.68kg 0.68kg	R-Red G-Green
	3	AC/DC12V AC/DC24V AC110V AC220V	Max. 0.360A Max. 0.240A Max. 0.066A Max. 0.033A		0.60kg 0.60kg 0.76kg 0.76kg	R-Red A-Amber G-Green
	4	AC/DC12V AC/DC24V AC110V AC220V	Max. 0.480A Max. 0.320A Max. 0.075A Max. 0.037A		0.68kg 0.68kg 0.84kg 0.84kg	R-Red A-Amber G-Green B-Blue
	5	AC/DC12V AC/DC24V AC110V AC220V	Max. 0.600A Max. 0.400A Max. 0.082A Max. 0.041A		0.77kg 0.77kg 0.93kg 0.93kg	R-Red A-Amber G-Green B-Blue W-White

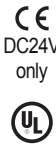
※ Models with an asterisk mark (*) have certification.

Product Specifications

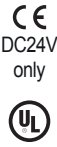
• ST80MEL

Model number	Layer count	Voltage	Current	Certificate	Weight	Color
* ST80MEL * ST80MEL-BZ ST80MEL-WS ST80MEL-WM ST80MEL-WA ST80MELF ST80MELF-BZ ST80MELF-WS ST80MELF-WM ST80MELF-WA	1	AC/DC12V	Max. 0.080A	 DC24V only	0.36kg	R-Red
		AC/DC24V	Max. 0.040A		0.36kg	
		AC110V	Max. 0.046A		0.59kg	
	2	AC/DC12V	Max. 0.160A		0.45kg	R-Red G-Green
		AC/DC24V	Max. 0.080A		0.45kg	
		AC110V	Max. 0.051A		0.68kg	
	3	AC/DC12V	Max. 0.240A		0.55kg	R-Red A-Amber G-Green
		AC/DC24V	Max. 0.120A		0.76kg	
		AC110V	Max. 0.057A		0.76kg	
	4	AC/DC12V	Max. 0.320A		0.64kg	R-Red A-Amber G-Green B-Blue
		AC/DC24V	Max. 0.160A		0.87kg	
		AC110V	Max. 0.064A		0.87kg	
	5	AC/DC12V	Max. 0.400A		0.73kg	R-Red A-Amber G-Green B-Blue W-White
		AC/DC24V	Max. 0.200A		0.73kg	
		AC110V	Max. 0.071A		0.96kg	
AC220V	Max. 0.035A	0.96kg				

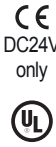
• ST80EL

Model number	Layer count	Voltage	Current	Certificate	Weight	Color
* ST80EL * ST80EL-BZ ST80EL-WS ST80EL-WM ST80EL-WA ST80ELF ST80ELF-BZ ST80ELF-WS ST80ELF-WM ST80ELF-WA	1	AC/DC12V	Max. 0.080A	 DC24V only	0.58kg	R-Red
		AC/DC24V	Max. 0.040A		0.58kg	
		AC110V	Max. 0.046A		0.81kg	
	2	AC/DC12V	Max. 0.160A		0.67kg	R-Red G-Green
		AC/DC24V	Max. 0.080A		0.67kg	
		AC110V	Max. 0.051A		0.91kg	
	3	AC/DC12V	Max. 0.240A		0.77kg	R-Red A-Amber G-Green
		AC/DC24V	Max. 0.120A		1.00kg	
		AC110V	Max. 0.057A		1.00kg	
	4	AC/DC12V	Max. 0.320A		0.86kg	R-Red A-Amber G-Green B-Blue
		AC/DC24V	Max. 0.160A		0.86kg	
		AC110V	Max. 0.064A		1.09kg	
	5	AC/DC12V	Max. 0.400A		0.95kg	R-Red A-Amber G-Green B-Blue W-White
		AC/DC24V	Max. 0.200A		0.95kg	
		AC110V	Max. 0.071A		1.19kg	
AC220V	Max. 0.035A	1.19kg				

• ST80ML

Model number	Layer count	Voltage	Current	Certificate	Weight	Color
* ST80ML * ST80ML-BZ ST80ML-WS ST80ML-WM ST80ML-WA ST80MLF ST80MLF-BZ ST80MLF-WS ST80MLF-WM ST80MLF-WA	1	AC/DC12V	Max. 0.160A	 DC24V only	0.40kg	R-Red
		AC/DC24V	Max. 0.080A		0.40kg	
		AC110V	Max. 0.055A		0.64kg	
	2	AC/DC12V	Max. 0.320A		0.54kg	R-Red G-Green
		AC/DC24V	Max. 0.160A		0.54kg	
		AC110V	Max. 0.064A		0.78kg	
	3	AC/DC12V	Max. 0.480A		0.68kg	R-Red A-Amber G-Green
		AC/DC24V	Max. 0.240A		0.92kg	
		AC110V	Max. 0.073A		0.92kg	
	4	AC/DC12V	Max. 0.640A		0.83kg	R-Red A-Amber G-Green B-Blue
		AC/DC24V	Max. 0.320A		1.06kg	
		AC110V	Max. 0.084A		1.06kg	
	5	AC/DC12V	Max. 0.800A		0.97kg	R-Red A-Amber G-Green B-Blue W-White
		AC/DC24V	Max. 0.400A		0.97kg	
		AC110V	Max. 0.093A		1.20kg	
AC220V	Max. 0.046A	1.20kg				

• ST80L

Model number	Layer count	Voltage	Current	Certificate	Weight	Color
* ST80L * ST80L-BZ ST80L-WS ST80L-WM ST80L-WA ST80LF ST80LF-BZ ST80LF-WS ST80LF-WM ST80LF-WA	1	AC/DC12V	Max. 0.160A	 DC24V only	0.62kg	R-Red
		AC/DC24V	Max. 0.080A		0.62kg	
		AC110V	Max. 0.055A		0.86kg	
	2	AC/DC12V	Max. 0.320A		0.77kg	R-Red G-Green
		AC/DC24V	Max. 0.160A		0.77kg	
		AC110V	Max. 0.064A		1.00kg	
	3	AC/DC12V	Max. 0.480A		0.91kg	R-Red A-Amber G-Green
		AC/DC24V	Max. 0.240A		0.91kg	
		AC110V	Max. 0.073A		1.14kg	
	4	AC/DC12V	Max. 0.640A		1.05kg	R-Red A-Amber G-Green B-Blue
		AC/DC24V	Max. 0.320A		1.05kg	
		AC110V	Max. 0.084A		1.29kg	
	5	AC/DC12V	Max. 0.800A		1.19kg	R-Red A-Amber G-Green B-Blue W-White
		AC/DC24V	Max. 0.400A		1.19kg	
		AC110V	Max. 0.093A		1.14kg	
AC220V	Max. 0.046A	1.14kg				

※ Models with an asterisk mark (*) have certification.

• Signal/ Audible line current(Per each layer)

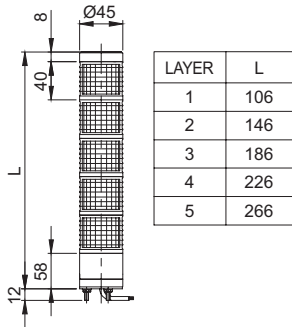
Model number	Current	AC/DC12V	AC/DC24V	AC110V	AC220V
ST45ML ST45L	Signal line current	0.040A	0.040A	0.024A	0.012A
	Audible line current	0.016A	0.031A	0.027A	0.030A
ST56MEL ST56EL	Signal line current	0.060A	0.040A	0.044A	0.022A
	Audible line current	0.016A	0.031A	0.027A	0.030A
ST56ML ST56L	Signal line current	0.120A	0.080A	0.048A	0.024A
	Audible line current	0.016A	0.031A	0.027A	0.030A
ST80MEL ST80EL	Signal line current	0.080A	0.040A	0.046A	0.023A
	Audible line current	0.016A	0.031A	0.027A	0.030A
ST80ML ST80L	Signal line current	0.160A	0.080A	0.055A	0.027A
	Audible line current	0.016A	0.031A	0.027A	0.030A

Dimensions

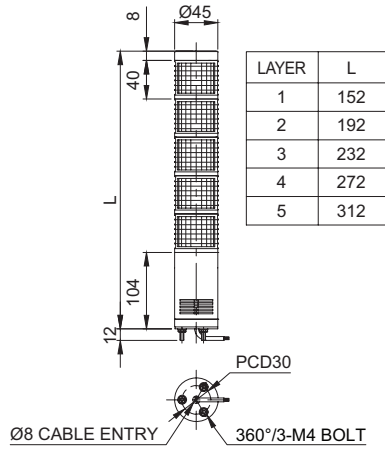
(Units : mm)

• ST45ML/ ST45L

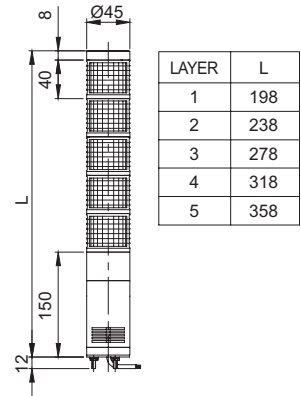
ST45ML : AC/DC
ST45ML-BZ : DC
ST45MLF : DC



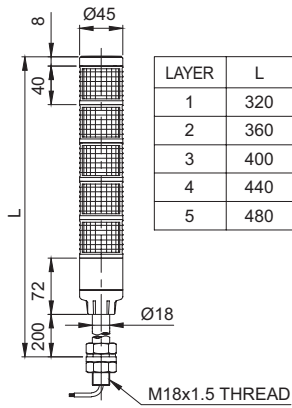
ST45ML-BZ : AC
ST45MLF : AC
ST45MLF-BZ : DC



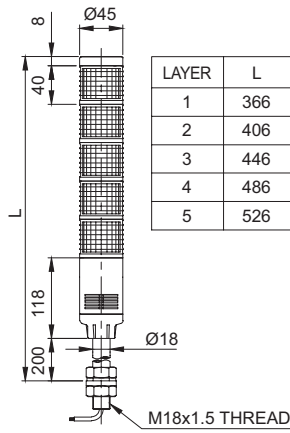
ST45MLF-BZ : AC



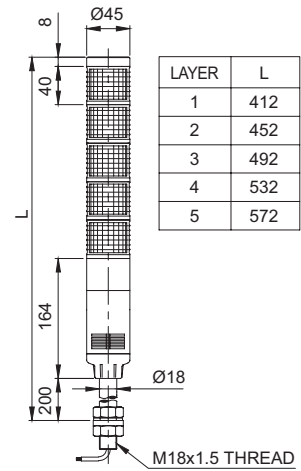
ST45L : AC/DC
ST45L-BZ : DC
ST45LF : DC



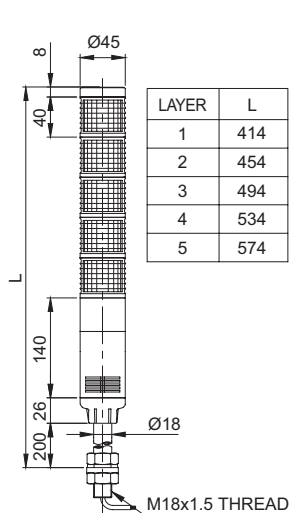
ST45L-BZ : AC
ST45LF : AC
ST45LF-BZ : DC



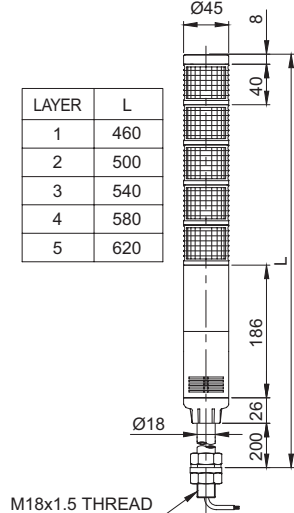
ST45LF-BZ : AC



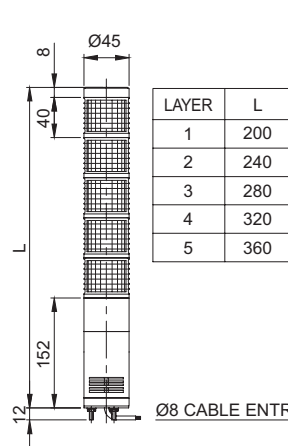
ST45L-W□ : DC
ST45LF-W□ : DC



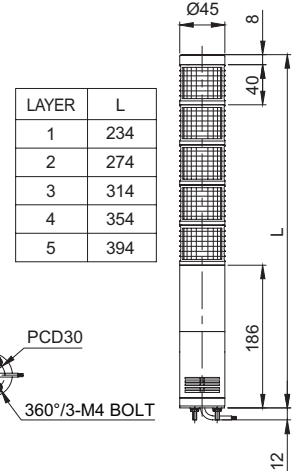
ST45L-W□ : AC
ST45LF-W□ : AC



ST45ML-W□ : DC
ST45MLF-W□ : DC



ST45ML-W□ : AC
ST45MLF-W□ : AC

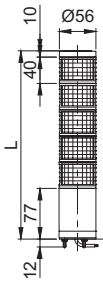


Dimensions

(Units : mm)

• ST56MEL/ ST56EL

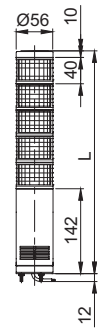
ST56MEL : AC/DC
ST56MEL-BZ : DC
ST56MELF : DC



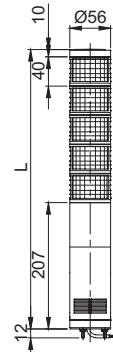
LAYER	L
1	127
2	167
3	207
4	247
5	287

LAYER	L
1	192
2	232
3	272
4	312
5	352

ST56MEL-BZ : AC
ST56MELF-BZ : AC/DC
ST56MELF : AC



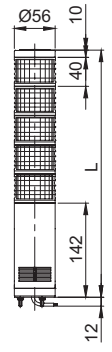
ST56MEL-W□ : AC
ST56MELF-W□ : AC



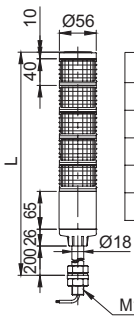
LAYER	L
1	257
2	297
3	337
4	377
5	417

LAYER	L
1	192
2	232
3	272
4	312
5	352

ST56MEL-W□ : DC
ST56MELF-W□ : DC



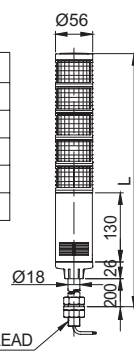
ST56EL : AC/DC
ST56EL-BZ : DC
ST56ELF : DC



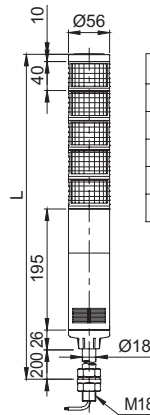
LAYER	L
1	341
2	381
3	421
4	461
5	501

LAYER	L
1	406
2	446
3	486
4	526
5	566

ST56EL-BZ : AC
ST56ELF-BZ : AC/DC
ST56ELF : AC



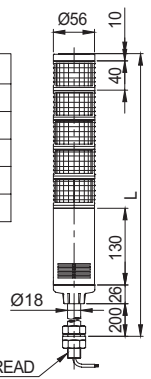
ST56EL-W□ : AC
ST56ELF-W□ : AC



LAYER	L
1	471
2	511
3	551
4	591
5	631

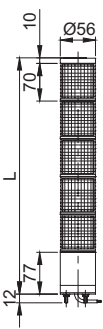
LAYER	L
1	406
2	446
3	486
4	526
5	566

ST56EL-W□ : DC
ST56ELF-W□ : DC



• ST56ML/ ST56L

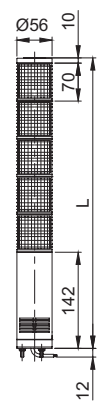
ST56ML : AC/DC
ST56ML-BZ : DC



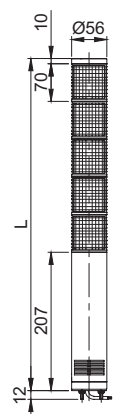
LAYER	L
1	157
2	227
3	297
4	367
5	437

LAYER	L
1	222
3	362
4	432
5	502

ST56ML-BZ : AC
ST56MLF-BZ : AC/DC



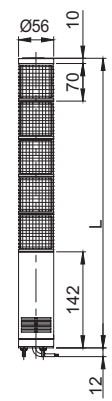
ST56ML-W□ : AC
ST56MLF-W□ : AC



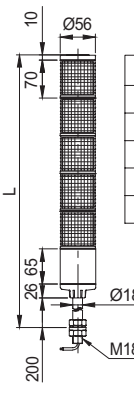
LAYER	L
1	287
2	357
3	427
4	497
5	567

LAYER	L
1	222
2	292
3	362
4	432
5	502

ST56ML-W□ : DC
ST56MLF-W□ : DC



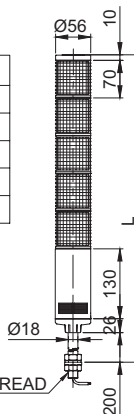
ST56L : AC/DC
ST56L-BZ : DC
ST56LF : DC



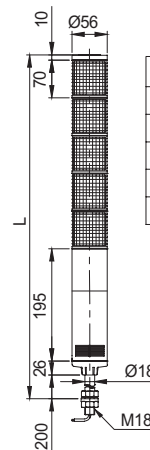
LAYER	L
1	371
2	441
3	511
4	581
5	651

LAYER	L
1	436
2	506
3	576
4	646
5	716

ST56L-BZ : AC
ST56LF-BZ : AC/DC
ST56LF : AC



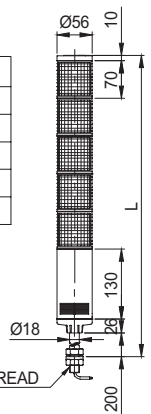
ST56L-W□ : AC
ST56LF-W□ : AC



LAYER	L
1	501
2	571
3	641
4	711
5	781

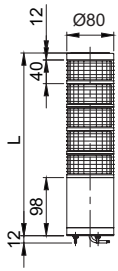
LAYER	L
1	436
2	506
3	576
4	646
5	716

ST56L-W□ : DC
ST56LF-W□ : DC



• ST80MEL/ ST80EL

ST80MEL : AC/DC
ST80MELF : AC/DC

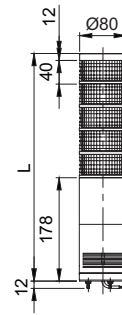


LAYER	L
1	150
2	190
3	230
4	270
5	310



ST80MEL-BZ : AC/DC
ST80MELF-BZ : AC/DC

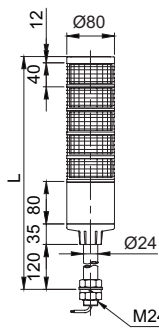
ST80MEL-W□
ST80MELF-W□



LAYER	L
1	230
2	270
3	310
4	350
5	390



ST80EL : AC/DC
ST80ELF : AC/DC



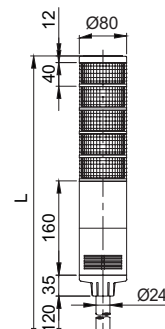
LAYER	L
1	287
2	327
3	367
4	407
5	447



M24x1.5 THREAD

ST80EL-BZ : AC/DC
ST80ELF-BZ : AC/DC

ST80EL-W□
ST80ELF-W□

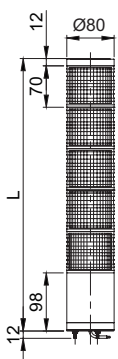


LAYER	L
1	367
2	407
3	447
4	487
5	527

M24x1.5 THREAD

• ST80ML/ ST80L

ST80ML : AC/DC
ST80MLF : AC/DC

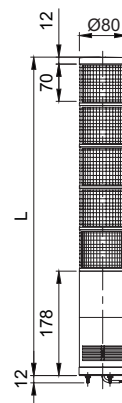


LAYER	L
1	180
2	250
3	320
4	390
5	460



ST80ML-BZ : AC/DC
ST80MLF-BZ : AC/DC

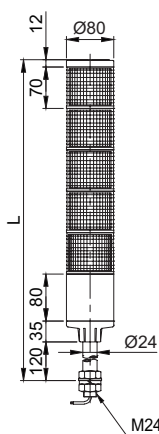
ST80ML-W□
ST80MLF-W□



LAYER	L
1	260
2	330
3	400
4	470
5	540



ST80L : AC/DC
ST80LF : AC/DC



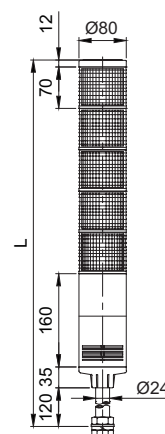
LAYER	L
1	317
2	387
3	457
4	527
5	597



M24x1.5 THREAD

ST80L-BZ : AC/DC
ST80LF-BZ : AC/DC

ST80L-W□
ST80LF-W□



LAYER	L
1	397
2	467
3	537
4	607
5	677

M24x1.5 THREAD

Wiring Instructions

■ Wiring using external contact

- In case of wiring with external contacts, refer to the wiring diagrams below according to your product's type and voltage setting.

	Wiring diagrams		Wiring diagrams
DC Steady		AC Steady	
ST45ML ST45L ST56MEL ST56ML ST56EL ST56L ST80MEL ST80ML ST80EL ST80L	External contact Layer 1 Layer 2 Layer 3 Layer 4 Layer 5 Buzzer Steady Black Fuse Power	ST45ML ST45L ST56MEL ST56ML ST56EL ST56L ST80MEL ST80ML ST80EL ST80L	External contact Layer 1 Layer 2 Layer 3 Layer 4 Layer 5 Buzzer Steady Common Black White Fuse Power
DC Steady/Flashing		AC Steady/Flashing	
ST45MLF ST45LF ST56MELF ST56MLF ST56ELF ST56LF ST80MELF ST80MLF ST80ELF ST80LF	External contact Layer 1 Layer 2 Layer 3 Layer 4 Layer 5 Buzzer Steady Flash Common White Black Fuse Power	ST45MLF ST45LF ST56MELF ST56MLF ST56ELF ST56LF ST80MELF ST80MLF ST80ELF ST80LF	External contact Layer 1 Layer 2 Layer 3 Layer 4 Layer 5 Buzzer Steady Flash Common Black Gray White Black Fuse Power
DC/AC Steady Built-in Signal Sound		DC/AC Steady/Flashing Built-in Signal Sound	
ST45ML ST45L ST56MEL ST56ML ST56EL ST56L ST80MEL ST80ML ST80EL ST80L	External contact Layer 1 Layer 2 Layer 3 Layer 4 Layer 5 Ch 1 Ch 2 Ch 3 Ch 4 Ch 5 Steady Black White Fuse Power	ST45MLF ST45LF ST56MELF ST56MLF ST56ELF ST56LF ST80MELF ST80MLF ST80ELF ST80LF	External contact Layer 1 Layer 2 Layer 3 Layer 4 Layer 5 Ch 1 Ch 2 Ch 3 Ch 4 Ch 5 Steady Flash Common Black Violet White Black Fuse Power
	<ul style="list-style-type: none"> • ST□□M(E)L - WS/ WM/ WA type same wiring instruction • ST□□(E)L - WS/ WM/ WA type same wiring instruction • ST□□L <p> Lens diameter 45(45mm) : ST45L 56(56mm) : ST56L 80(80mm) : ST80L </p>		<ul style="list-style-type: none"> • ST□□M(E)LF - WS/ WM/ WA type same wiring instruction • ST□□(E)LF - WS/ WM/ WA type same wiring instruction • ST□□LF <p> Lens diameter 45(45mm) : ST45LF 56(56mm) : ST56LF 80(80mm) : ST80LF </p>

• DC steady type cable specification : External power/ signal line - UL1007 AWG22(0.3sq) 400mm.

• AC steady, AC/DC steady/flashing type cable specification : External power line - UL1015 AWG18(0.75sq) × 2C 400mm,
External signal line - UL1007 AWG22(0.3sq) 400mm

■ Wiring using transistor

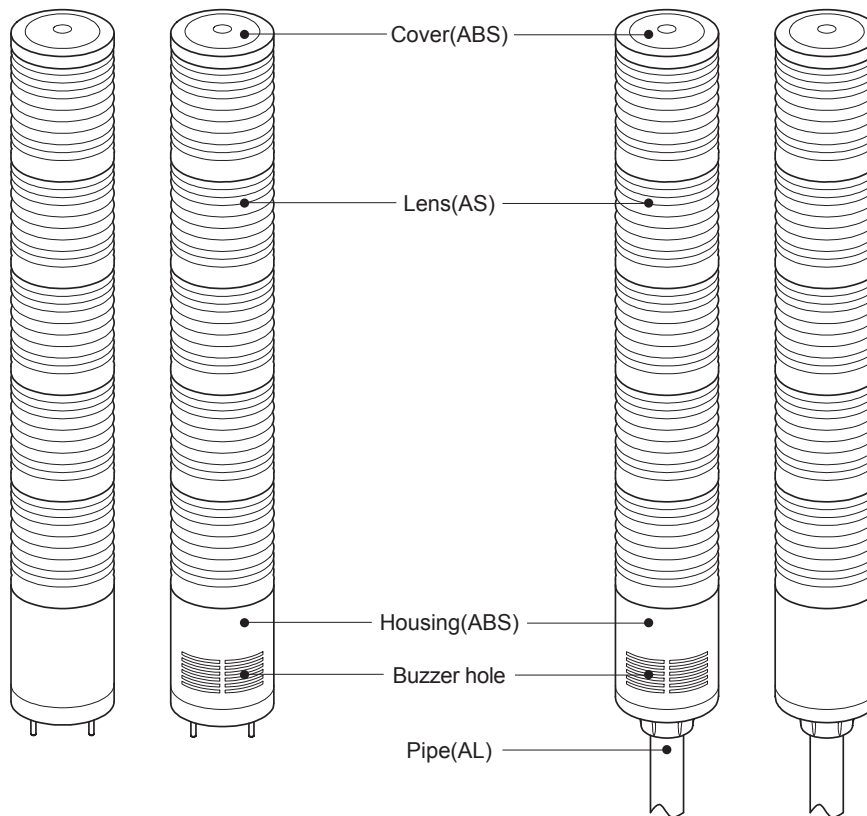
- When using a transistor, please choose between the NPN or PNP type transistor which best matches the voltage and product type, then connect them correctly according to the wiring diagrams below.

		Wiring diagrams			
DC Steady		NPN-Transistor	External Transistor-NPN	PNP-Transistor	External Transistor-PNP
ST45ML ST45L ST56MEL ST56ML ST56EL ST56L ST80MEL ST80ML ST80EL ST80L					
DC Steady/Flashing	PNP-Transistor	External Transistor-PNP	AC Steady/Flashing	PNP-Transistor	External Transistor-PNP
ST45MLF ST45LF ST56MELF ST56MLF ST56ELF ST56LF ST80MELF ST80MLF ST80ELF ST80LF					
DC/AC Steady Built-in Signal Sound	NPN-Transistor	External Transistor-NPN	DC/AC Steady/Flashing Built-in Signal Sound	NPN-Transistor	External Transistor-NPN
ST45ML ST45L ST56MEL ST56ML ST56EL ST56L ST80MEL ST80ML ST80EL ST80L					
	<ul style="list-style-type: none"> • ST□□M(E)L - WS/ WM/ WA type same wiring instruction • ST□□(E)L - WS/ WM/ WA type same wiring instruction • ST□□L <p style="text-align: center;">Lens diameter 45(45mm) : ST45L 56(56mm) : ST56L 80(80mm) : ST80L</p>		<ul style="list-style-type: none"> • ST□□M(E)LF - WS/ WM/ WA type same wiring instruction • ST□□(E)LF - WS/ WM/ WA type same wiring instruction • ST□□LF <p style="text-align: center;">Lens diameter 45(45mm) : ST45LF 56(56mm) : ST56LF 80(80mm) : ST80LF</p>		

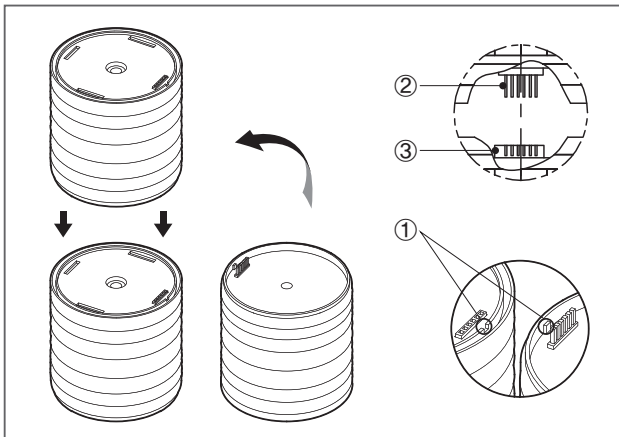
• DC steady type cable specification : External power/ signal line - UL1007 AWG22(0.3sq) 400mm.

• AC steady, AC/DC steady/flashing type cable specification : External power line - UL1015 AWG18(0.75sq) × 2C 400mm,
External signal line - UL1007 AWG22(0.3sq) 400mm

Parts Definition



How to Change Lens Kit



- Please familiarize yourself with the contact points ① and the male ② and female ③ connector pins marked in the diagram to the left.
- Assemble the lens kits by carefully aligning the connector pins together ②&③
- While assembling the lens kits, please make sure the rubber spacer is tightly secured between the top and bottom lens kits.

※Cautions

- Lens modules are connected through contact point of each module. In case the contact point is damaged, it may cause a contact failure.

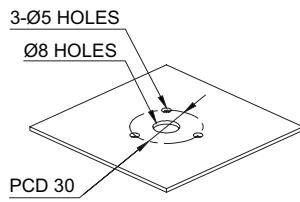
Installation Environment and Protection Rating

- This product is designed for indoor use with protection rating of IP44(standard type) or IP23(buzzer type).
- If the product is installed in locations that subject it to excessive dust or water other than the designated IP protection rating indicated(IP44), it may cause malfunction or damage to the product.
- For further information, please visit our website (<http://www.qlight.com>).

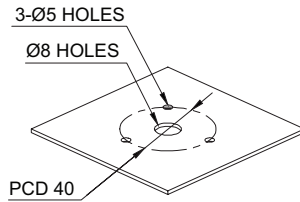
Mounting Hole Specifications

■ ST45ML/ ST56MEL/ ST56ML/ ST80MEL/ ST80ML-Direct Mounting Type Model

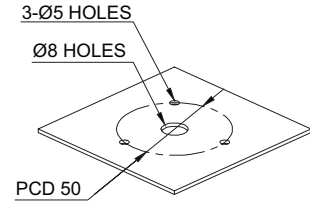
① Machine holes on the mounting surface referring to the diagram below.



ST45ML



ST56MEL/ ST56ML



ST80MEL/ ST80ML

② First, remove the flange nuts from bolts and place the product through the mounting surface holes.

③ Fasten the flange nuts on the opposite side of the mounting surface until the product is tightened securely.

■ 2 Sound Buzzer Type

• Buzzer type model with 2 different sounds of long beeping sound and short beeping sound is available upon request.

■ Lens Kits supplied by AC Type power (same wiring as DC Steady type product)

■ Customized pole length(ST45L/ ST56EL/ ST56L/ ST80EL/ ST80L)

Mounting Accessories (Sold Separately)

• Please refer to the dimensions below for installation of mounting brackets.

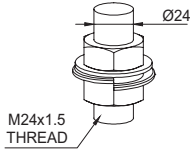
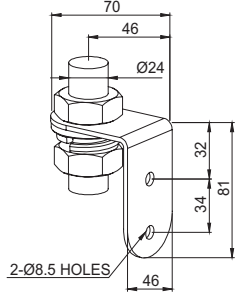
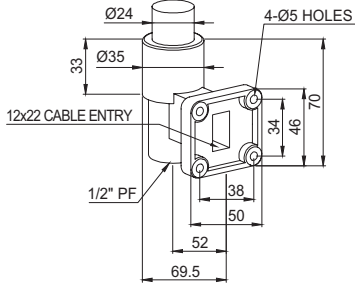
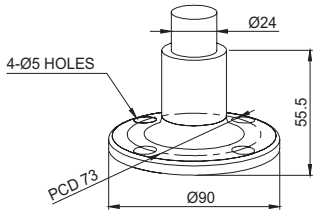
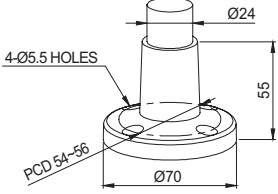
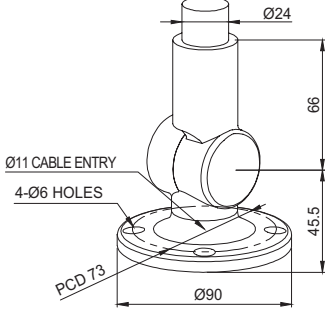
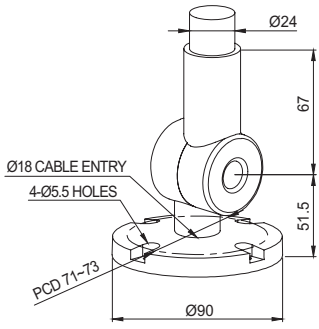
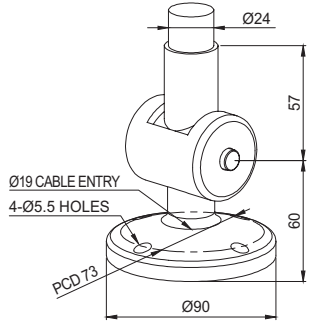
■ ST45ML/ ST56MEL/ ST56ML/ ST80MEL/ ST80ML - Direct Mounting Type Model

	Dimensions	
ST45 series ST56 series	<p>TWS45</p>	<p>TWA45</p>
ST80 series	<p>TWS80</p>	<p>TWA80</p>

■ ST45L/ ST56EL/ ST56L - Pole Mounting Type Model

Dimensions		
<p>ST45 series ST56 series</p>	<p style="text-align: center;">18mm SCREW & NUT</p> <p style="text-align: center;">LB18</p>	
	<p style="text-align: center;">LW18</p>	<p style="text-align: center;">SZ18</p>
	<p style="text-align: center;">QZ18</p>	<p style="text-align: center;">SL18</p>
	<p style="text-align: center;">QL18</p>	<p style="text-align: center;">QLA18</p>

■ ST80EL/ ST80L - Pole Mounting Type Model

Dimensions	
<p>ST80 series</p>  <p>M24x1.5 THREAD</p> <p style="text-align: center;">Ø24</p>	 <p style="text-align: center;">70 46 Ø24 32 34 81 2-Ø8.5 HOLES 46</p> <p style="text-align: center;">LB24</p>
<p style="text-align: center;">24mm SCREW & NUT</p>  <p style="text-align: center;">Ø24 33 Ø35 12x22 CABLE ENTRY 1/2" PF 34 70 38 50 52 69.5 4-Ø5 HOLES</p> <p style="text-align: center;">LW24</p>	 <p style="text-align: center;">Ø24 4-Ø5 HOLES PCD 73 Ø90 55.5</p> <p style="text-align: center;">SZ24</p>
 <p style="text-align: center;">Ø24 4-Ø5.5 HOLES PCD 54-56 Ø70 55</p> <p style="text-align: center;">QZ24</p>	 <p style="text-align: center;">Ø24 66 Ø11 CABLE ENTRY 4-Ø6 HOLES PCD 73 Ø90 45.5</p> <p style="text-align: center;">SL24</p>
 <p style="text-align: center;">Ø24 67 Ø18 CABLE ENTRY 4-Ø5.5 HOLES PCD 71-73 Ø90 51.5</p> <p style="text-align: center;">QL24</p>	 <p style="text-align: center;">Ø24 57 Ø19 CABLE ENTRY 4-Ø5.5 HOLES PCD 73 Ø90 60</p> <p style="text-align: center;">QLA24</p>

Technical Certification

- Qlight products are designed to meet strict quality and technical standards. Thus, the Qlight brand is widely recognized for its high quality and technical innovations from leading institutions around the world.



ISO International Organization for Standardization

Qlight quality assurance systems have been certified by ISO by applying the ISO 9001:2008, KS Q ISO 9001:2009 regulation.



IECEX International Explosion Proof Certification (IECEX)

Certified that Qlight's products are being manufactured and manage according to international standards.



ATEX The European Regulatory Framework of Manufacture, Installation and Use of Equipment in Explosive Atmospheres

Qlight explosion proof products comply with ATEX Directives 94/9/EC.



NEPSI National Supervision and Inspection Center for Explosion Protection and Safety of Instrumentation

Qlight's design and manufacturing system meets the People's Republic of China National explosion proof Standard. (Chinese Standard-GB3836/GB12476)



KGS Korea Gas Safety Corporation

Approved from "Korea Gas Safety Corporation" that Qlight's design and manufacturing system meets the standard of KGS.



KOSHA Korea Occupational Safety and Health Agency

Approved by the "Korea Occupational Safety and Health Agency" that Qlight's design and manufacturing system meets the standard of KOSHA.



ABS American Bureau of Shipping

Qlights design and quality assurance system has been certified by the American Bureau of Shipping.



LR Lloyd's Register

Qlight design and quality assurance system has been certified from Lloyd's Register.



CCS China Classification Society

Qlight design and quality assurance system has been certified by the China Classification Society.



RMRS Russian Maritime Register of Shipping

Qlight design and quality assurance system has been certified from Russian Maritime Register of Shipping.



KR Korean Register of Shipping

Qlight design and quality assurance system has been certified by the Korean Register of Shipping.



CE European Commission

Qlight has been certified by the European Commission.



UL Underwriters Laboratories

Qlight design and quality assurance system has been certified from UL to ensure the stability of consumption goods and to protect consumers.



KC Korea Safety Certification

Qlight products are certified by KC for preventing accident caused by fire.



CCC China Compulsory Certificate

Qlight has obtained CCC which guarantees safety, protection against fraud, environment, etc.



ICAO International Civil Aviation Organization

Qlight guarantees our products satisfy the criteria regulated by the International Civil Aviation Organization (ICAO, FAA).



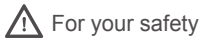
E-mark Commission Directive Regarding Vehicle Industry

Qlight has obtained EU mark for approved vehicles and vehicle components sold into the EU (EEA: European Economic Area)



RoHS Restriction of Hazardous Substances Directive

Qlight complies with the Restriction of Hazardous Substances Directive by limiting its use of hazardous materials.



For your safety

Specification and dimensions listed in this catalogue subject to change without notice for product quality improvement.
The newest product information is available on our web site.(www.qlight.com)
Please read the instruction Manual attached to the product carefully before installation and use.

Qlight Co., Ltd. www.qlight.com | qlightkr@qlight.com

Head Office | A-412, 579, Gyeongin-ro, Guro-gu, Seoul, Korea Tel. +82-80-328-2222 Fax : +82-2-2679-6154

Factory | 185-25, Mukbang-Ro, Sangdong-Myeon, Gimhae-si, Gyeongsangnamdo, Korea Tel. +82-80-328-1111

Qlight Overseas Sales Dept | 185-25, Mukbang-Ro, Sangdong-Myeon, Gimhae-Si, Gyeongsangnam-Do, Korea Tel : +82-55-328-4082

Qlight Public Relations & Marketing Team Office | Nakdong-daero, Sasang-gu, Busan, Korea(Eomgung-Dong) Tel : +82-51-245-0017

Qlight USA, Inc. www.qlight.com www.qlightusa.com | sales@qlightusa.com

3003 North First Street, Suite #341, San Jose, CA 95134 USA Tel. +1.408.519.5740 Fax. +1.408.519.5739

SHANGHAI Qlight Electronic Co., Ltd. www.qlight.com www.qlightcn.com | qlightcn@qlight.com

China Factory/ Shanghai Sales Office | #19, Nanda Road, Baoshan Area, Shanghai, China Tel. +86.21.6651.7100 Fax. +86.21.6315.3929

Qlight
Innovation in Alarm & Signal

Product Operation Inquiry / Customer Support +82-55-328-4082

You can expect prompt service if you have exact information such as model name, symptom, telephone number and address.

※ALL PRODUCT, PRODUCT SPECIFICATIONS AND DATA ARE SUBJECT TO CHANGE WITHOUT NOTICE TO IMPROVE RELIABILITY, FUNCTION OR DESIGN OR OTHERWISE.

Head office : A-412, 579 Kyungin-Ro, Guro-Gu, Seoul, Korea (Postal Code : 08212)

Factory : 185-25, Mukbang-Ro, Sangdong-Myeon, Gimhae-Si, Gyeongsangnam-Do, Korea (Postal Code : 50805)

www.qlight.com

EN-1812A