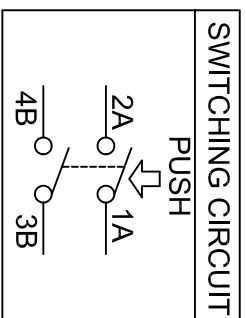
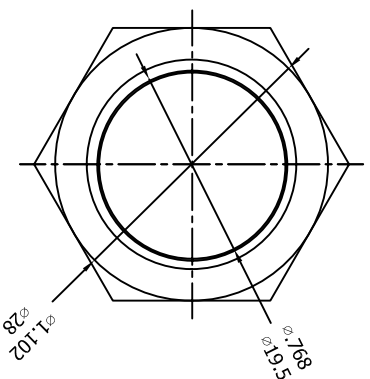
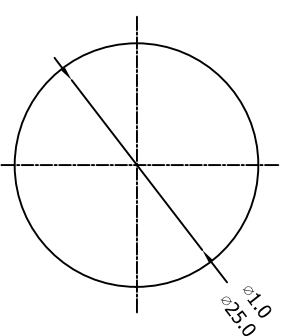
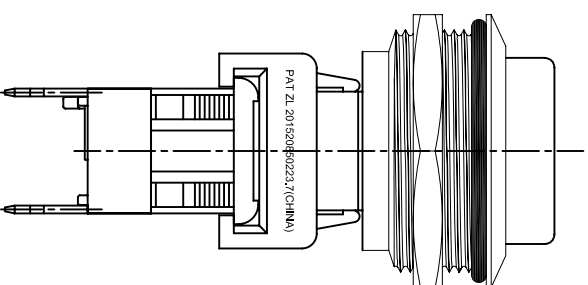
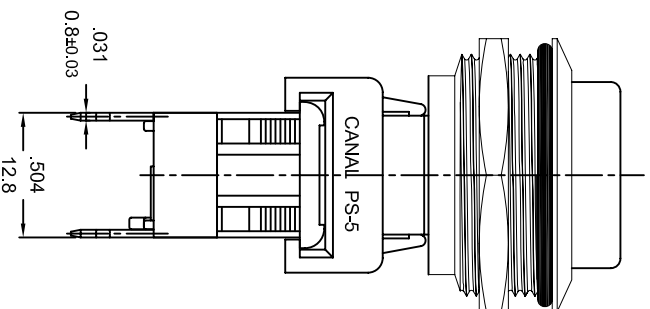
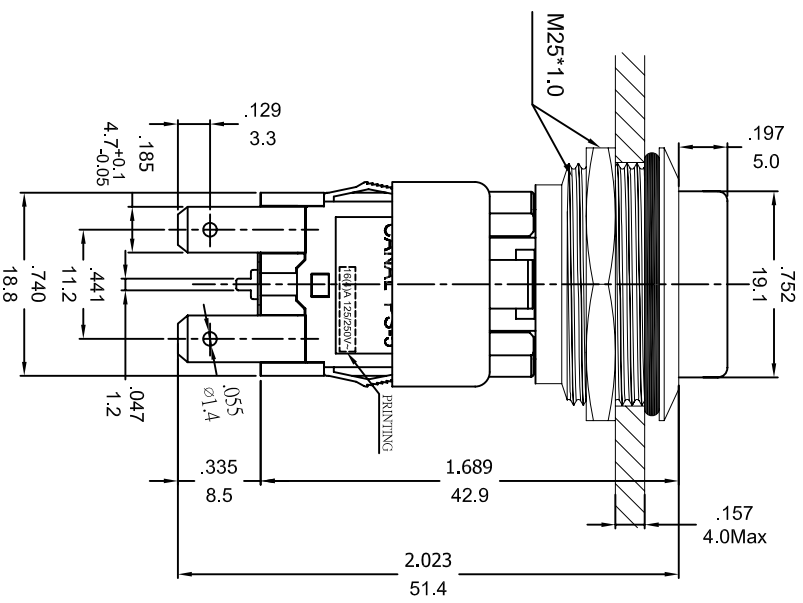


# 嘉尼企業股份有限公司 CANAL ELECTRONIC CO.,LTD.



**SPECIFICATION MODEL : "PS5" SERIES**  
 RATING: 16(4)A 125/250V~T-125/55(cURus/ENEC15)  
 16(4)A 250V~ T125/55(CQC)  
 WITHSTAND VOLTAGE: 1500VAC 1 MINUTE  
 CONTACT RESISTANCE: 20mΩ INITIAL (MAX),  
 PROTECTION TYPE: IP65(PANEL WATERPROOF)  
 MECHANICAL COLLISION PROTECTION TYPE: IK07  
 INSULATION RESISTANCE: 500VDC - 100MΩ (MIN).



PANEL MOUNTING



NOTE: TOLERANCES UNLESS OTHERWISE SPECIFIED: ±.012/0.3 (In/mm)

REVISION	DESCRIPTION	REVISED BY	TOLERANCES		ANGLE	SCALE	UNIT	PART NAME	PART NO	DWG NO
△			DRAWN BY	達志各	1/2	5/4	mm	PSS5 SPEC DRAWING		S7563A
△			CHECKED BY	[Signature]					PSS-210RN-BSA-0MAC	
△			DESIGNED BY	蔡劍						
△			APPROVED BY	[Signature]						
△	2018.09.06	首次出圖		達志各						