

WiFi Antenna

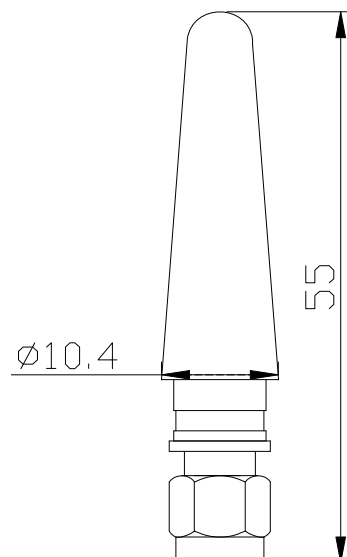
Model : WIFI-ANT401-S



1 Part Number

WIFI-ANT401-S

2 Dimension (Unit : mm)



3 Electrical Characteristics

3.1 WiFi Antenna

Form 1

No.	Item	Specifications
1	Frequency (MHz)	2400 ~ 2500 MHz
2	V.S.W.R(in BW)	$\leq 2.0 : 1$
3	Gain (Zenith)	2 dBi
4	Polarization	Vertical
5	Impedance	50 Ω

3.2 Mechanical

Form 2

No.	Item	Specification
1	Cable	—
2	Connector	SMA
3	Plastic Housing	Black