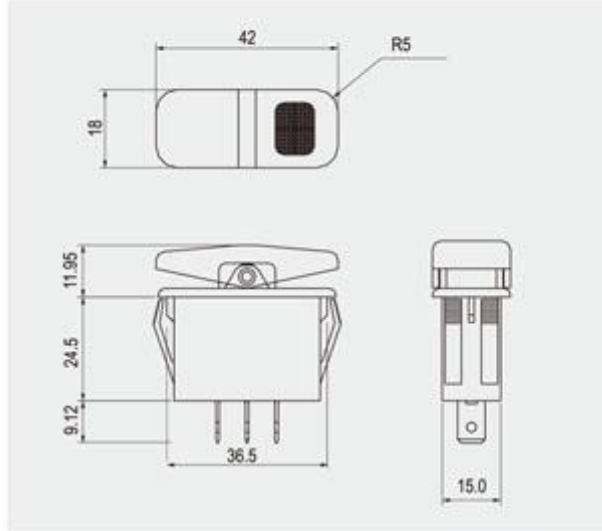


R13-258



Rating

20A 125V AC 1/3HP
 10A 250V AC 3/4HP
 (A,B,C,D)
 20A 125V AC 3/4HP
 10A 250V AC 3/4HP
 (E,F,G,H,I)

Contact resistance

50mΩ Max

Insulation resistance

DC 500V 100MΩ Min

Dielectric strength

AC 1500V 1 minute

Cut-out



	X	Y
0.75-5.0	36.8	15.3+0.1

FEATURES

- * MATERIAL: Frame is nylon (UL frame: 94V-2). Terminals are silver plated brass.
- * Illuminated actuators are molded in PC, available with red, amber, green, blue and white colors.
- * Snap-in mounting, easy to install switch into panel.
- * Water proof and dust proof to fit IP-56.
- * Waterproof IPX6 of this switch is effective by the mounting panel sealed only.

R13-258 -

FUNCTION			TERMINAL
A OFF ON 2P SPST	D ON OFF ON 3P SPDT	H (ON) OFF ON 3P SPDT	0 1 .250" SQ
B OFF ON 3P SPST (ILLUMINATED) 125VAC 33KΩ / 250VAC 150KΩ	E (OFF) ON 2P SPST	I (ON) OFF (ON) 3P SPDT	ROCKER A,C,D,E,F,I,H,G
B T OFF ON 3P SPST (ILLUMINATED) 125VAC 33KΩ / 250VAC 150KΩ	F OFF (ON) 2P SPST	* () = momentary	
C ON ON 3P SPDT	G (ON) ON 3P SPDT	B T Soft surface lens	

