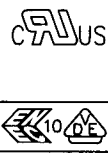
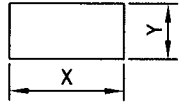
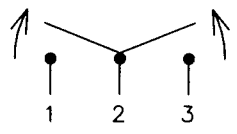

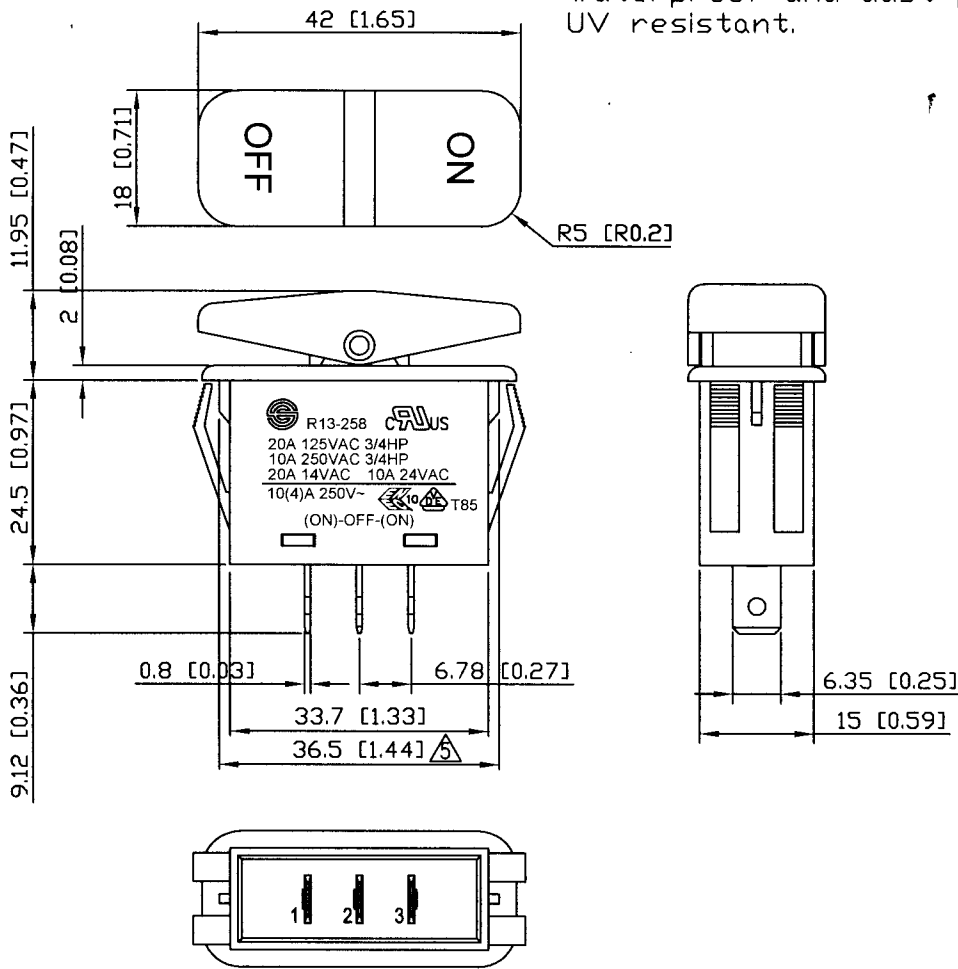


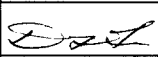
| | | | | | | | |
|-----------------------|---|---|---|--|--|--|---|
| Rating | 20A 125VAC 3/4HP 10A 250VAC 3/4HP 20A 14VAC 10A 24VAC |  | Mounting Hole | | | Circuit Diagram | |
| | 10(4)A 250V~ | |  | | | | |
| Contact Resistance | 50m ohm Max. | |  | | | | |
| Insulation Resistance | DC 500V 100M ohm Min. | | | | | | |
| Dielectric Strength | AC 1500V 1 minute | | | | | | |
| Operation Temperature | -20°C~85°C | Thickness | | | | X | Y |
| Operation force | 800±200 gram | 0.75~5mm 0.03~0.2inch | | | | 36.8 ^{+0.2} 1.45 ^{+0.008} | 15.3 ^{+0.2} .60 ^{+0.008}  |
| SPDT 3P (ON)-OFF-(ON) | | | | | | | |

Material: Case and bottom are nylon-66, actuator is nylon-66 with 33% glass fiber, terminals are silver plated copper.
Waterproof and dust proof to IP-56.
UV resistant.



原稿

C8\R13\R13-258I-01(1824102)_2

| | | | | | | | | | |
|-----------|---------|---|--------------|----------|--------------------------------|---------------|------|---|----|
| 07/16/'08 | 曹盈芳 | 修改尺寸原37 -> 36.5 | | | | | | | |
| 05/19/'08 | 徐洲迎 | 修改装配孔尺寸及公差 | | | | | | | |
| Date | Name | Description | | | | | | | NO |
| Drawn | Checked | Approved | SCI BOM NO. | 1824102 | Model Name | Rocker Switch | | | |
| 曹盈芳 | |  | Customer No. | | Model No. | R13-258I-01 | REV. | 2 | |
| 07/16/'08 | | 7/16/08 | Unit | mm(inch) | SHIN CHIN INDUSTRIAL CO., LTD. | | | | |