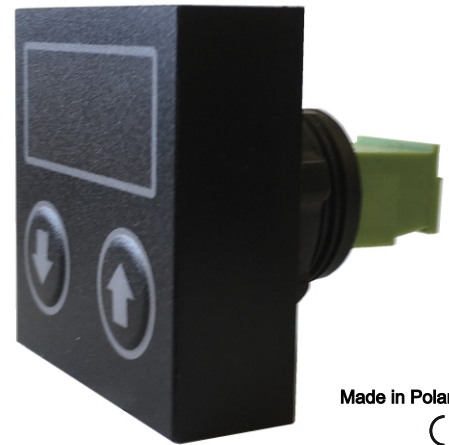


DIGITAL INDICATORS CM22 SERIES



Made in Poland
CE

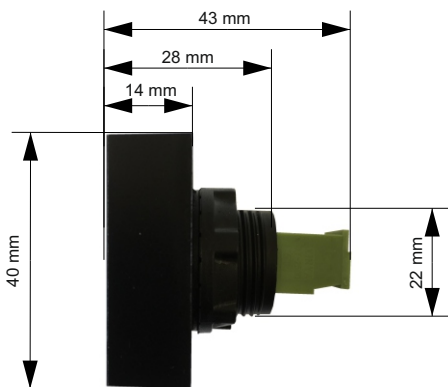
Features

Small dimensions
Easy installation, opening \varnothing 22,5mm
Ingress protection IP65
Programmable range of indications, position of decimal point, minus sign
Programmable thresholds of indications pulsation
Programmable measurement
High range accuracy of indications

Technical data

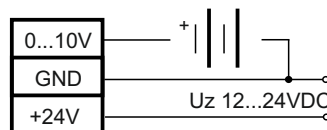
Model	CM22-0-10V-DD	CM22-4-20mA-DD
Input signal	0...10V, 2...10V, 0...5V	0...20mA, 4...20mA
Accuracy	0,1%	0,1%
Range of indications	-999...9999	
Supply voltage / power consumption	12...24VDC / 100mA	
Assembly	Opening \varnothing 22,5mm	
Connections	Terminal strip 3x1,5mm ²	
Operating temperature	-25...60°C	
Ingress protection	IP 65 from front	
Dimensions / weight	40 x 40 x 43 mm / 25 g	

Dimensions

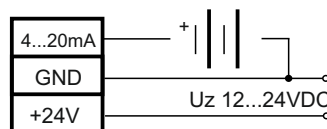


Connection diagram

model CM22-0-10V-DD



model CM22-4-20mA-DD



Programmable parameters

- n-00 lower value of indications -999...0...9999 lub 40
- n-01 upper value of indications -999...100...9999 lub 200
- n-02 position of decimal point 0...3
- n-03 minus sign lock 0...1
- n-04 lower threshold of indication pulsation -999...9999
- n-05 upper threshold of indication pulsation -999...9999
- n-06 measurement range : 0 - 0..10V , 1 - 2..10V , 2 - 0..5V
0 - 0..20mA , 1 - 4..20mA
- n-07 menu access lock 0...1

Programming description

Press up/down buttons simultaneously for 2 seconds - n-00 parameter will be shown on the display
select parameter from n-00 to n-07 using up/down buttons
press up/down buttons simultaneously for 2 seconds once again - value of the parameter will be shown on the display
make changes using up/down buttons
press buttons up/down simultaneously for 0.5 seconds - exit from parameter and settings saving
press buttons up/down simultaneously for 0.5 seconds once again - exit from settings menu
Menu entry unlocking - press up/down button for 2 seconds simultaneously after the power is switched on