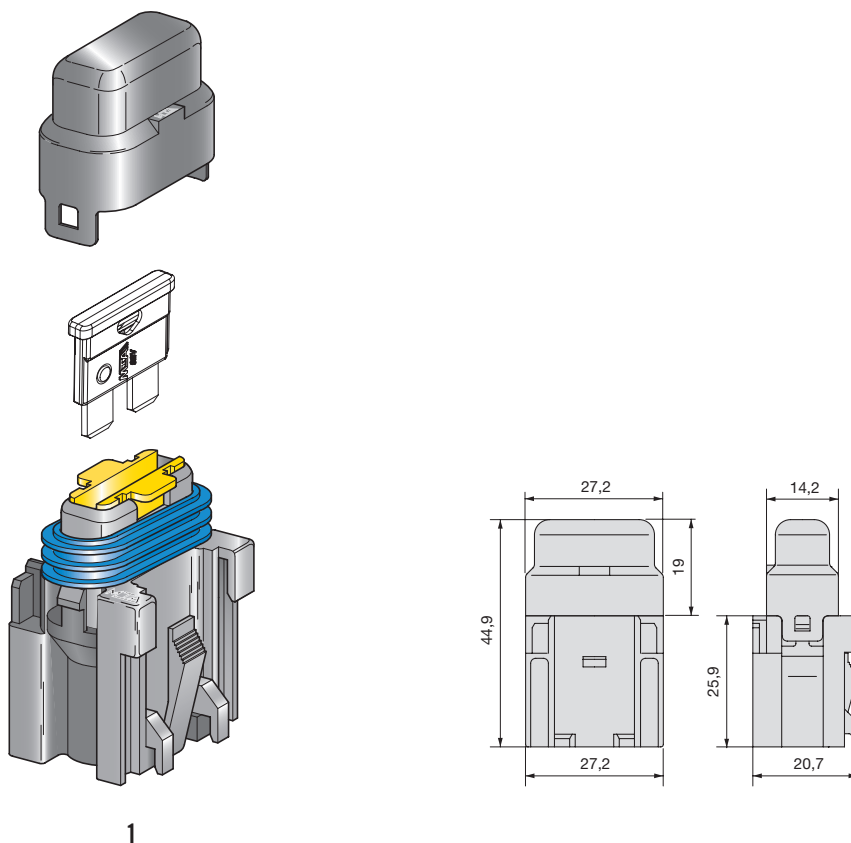


SPLASH PROOF UNIVAL® HOLDER



IMG.	DESCRIPTION	WAY	MATERIAL	COLOUR	P/N BOX	M.O.Q.	P/N BOX	M.O.Q.	P/N BULK	M.O.Q.
1	S.P. HOLDER+ COVER	1	PA66	■ Black					0301301	1200
	+ SECONDARYLOCK 1 AMP		PBT GF20	■ Black						
	+ SECONDARYLOCK 5 AMP		PBT GF20	■ Beige			0302305	100	0301305	1200
	+ SECONDARYLOCK 7,5 A		PBT GF20	■ Brown					0301307	1200
	+ SECONDARYLOCK 10 AMP		PBT GF20	■ Red			0302310	100	0301310	1200
	+ SECONDARYLOCK 15 AMP		PBT GF20	■ Blue			0302315	100	0301315	1200
	+ SECONDARYLOCK 20 AMP		PBT GF20	■ Yellow	0101320	50	0302320	100	0301320	1200
	+ SECONDARYLOCK 25 AMP		PBT GF20	■ Natural			0302325	100	0301325	1200
	+ SECONDARYLOCK 30 AMP		PBT GF20	■ Green			0302330	100	0301330	1200
	KIT WITH TERMINALS GASKET AND FIXING PLATE				3050153	1				

CONNECTIONS AND FIXINGS



0300949



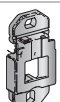
0300851



0300856



0300392



0300440



0300430



0300697



0300698



UNI F630