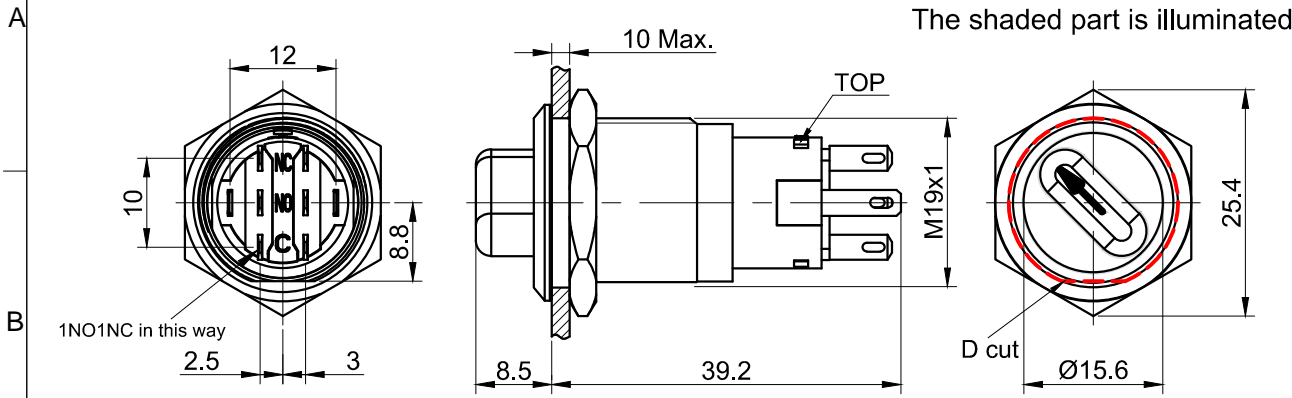
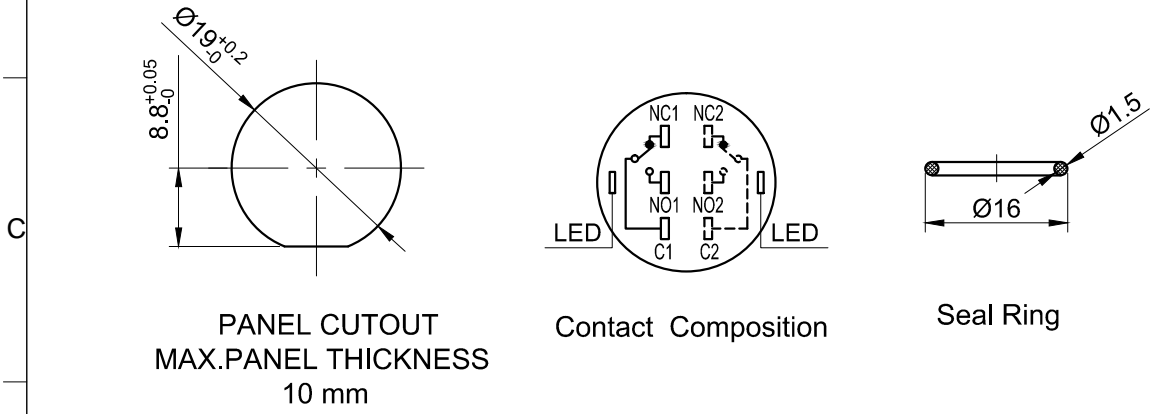
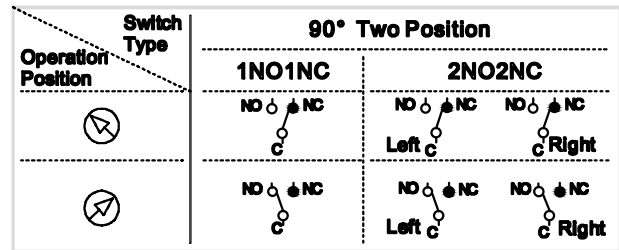


FOR 客户名称	APPROVED 客户确认签字	ATTN 销售负责人



Contact Composition



Part Number: LAS1-AGQ-□X/◆●△/▲/S

□	Contact structure	◆	Operation position	●	Operation type
11	1NO 1NC	2	Two Position	1	Maintain
22	2NO 2NC			3	Return
△	Lamp Color	▲	Lamp Voltage		
R	Red	6V	AC/DC 6V		
G	Green	12V	AC/DC 12V		
Y	Yellow	24V	AC/DC 24V		
B	Blue	110V	AC/DC 110V		
W	White	220V	AC/DC 220V		
Other voltage can be made to order					

- SPECIFICATIONS:**
- Switch Rating: AC220V/0.5A, DC110V/0.1A.
 - Mechanical Life: ≥500,000cycles.
 - Electrical Life: ≥50,000cycles.
 - Contact Resistance: ≤50mΩ.
 - Insulation Resistance: ≥1,000MΩ.
 - Dielectric Strength: 1,500V, RMS 50Hz, 1min.
 - Operating Temperature: -25°C ~ +55°C (No Freezing).
 - Torque: About 0.8Nm max. applied to nut.
 - IP Class: IP40, IP67 (Maintain can made to order).
 - Terminal Type: Pin Terminal (2.8 x 0.5mm).

- MATERIALS:**
- Contact: Silver alloy.
 - Button: Stainless Steel.
 - Body: Stainless Steel.
 - Base: PBT.

BRAND 品牌 ONPOW	红波按钮制造有限公司 ONPOW PUSH BUTTON MANUFACTURE CO.,LTD.			
	USED 用途	APPD 审核	CH 2020/04/26	
THESE DRAWINGS AND SPECIFICATIONS ARE THE PROPERTY OF ONPOW PUSH BUTTON MANUFACTURE CO.,LTD. AND SHALL NOT BE REPRODUCED COPIED OR USED IN ANY MANNER WITHOUT THE PRIOR WRITTEN CONSENT OF ONPOW PUSH BUTTON MANUFACTURE CO.,LTD.	FINISH 处理	CHKD 校对	NCH 2020/04/26	
	SCALE 比例	UNIT 单位	DR. 制图	ZPD 2020/04/26
DIMENSIONS	TOLERANCE	TITLE 名称	LAS1-AGQ Series selector switch	
0.00 TO 18.00mm	±0.43mm	DWG NO. 图号	LAS1-AGQ-X二位置带灯	
18.01 TO 30.00mm	±0.52mm	FILE NAME 档案名称	LAS1-AGQ-X.DWG	SHEET 张
30.01 TO 50.00mm	±0.62mm			1 / 1
50.01 TO 80.00mm	±0.74mm			REV. 更改
				1