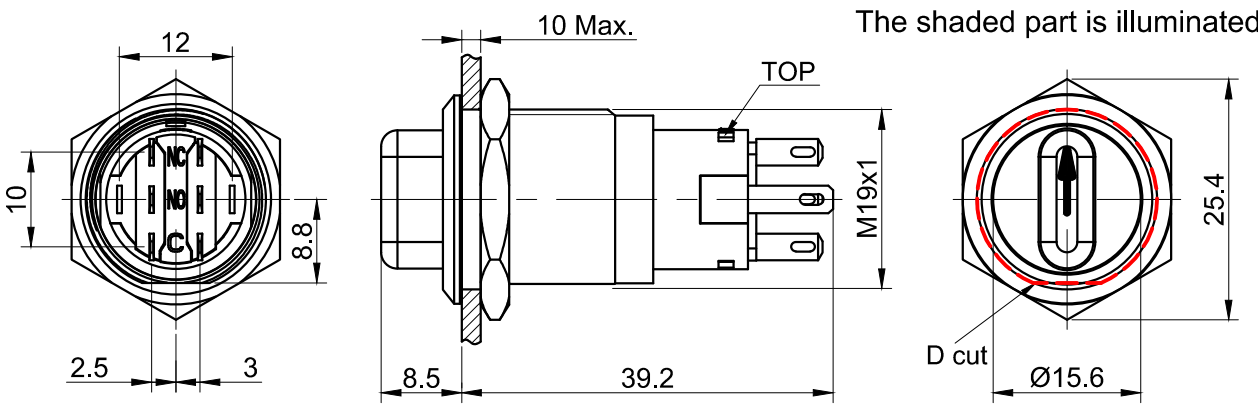
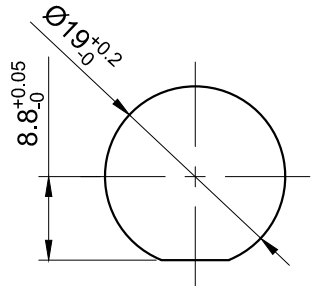
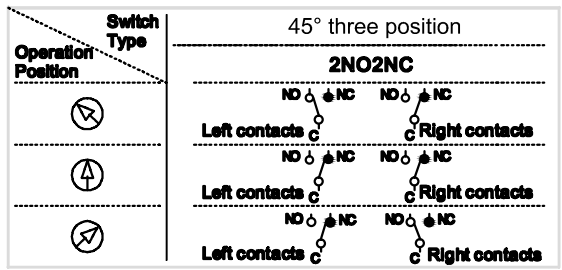


5	6	7
FOR 客户名称	APPROVED 客户确认签字	ATTN 销售负责人

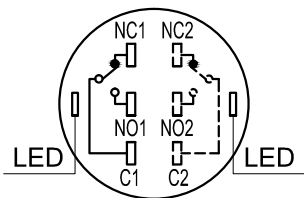


The shaded part is illuminated

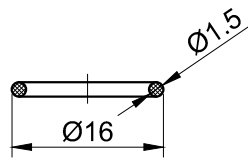
LAS1-AGQ States in operation



PANEL CUTOUT
MAX.PANEL THICKNESS
10 mm



Contact Composition



Seal Ring

Part Number: LAS1-AGQ-22X/◆●/△/▲/S

"◆"	Operation position	"●"	Operation type
3	Three Position $\begin{matrix} L \\ \downarrow \\ C \\ \downarrow \\ R \end{matrix}$	1	Maintain $\begin{matrix} L \\ \downarrow \\ C \\ \downarrow \\ R \end{matrix}$
		3	Return $\begin{matrix} L \\ \downarrow \\ C \\ \downarrow \\ R \end{matrix}$
"△"	Lamp Color	"▲"	Lamp Voltage
R	Red	6V	AC/DC 6V
G	Green	12V	AC/DC 12V
Y	Yellow	24V	AC/DC 24V
B	Blue	110V	AC/DC 110V
W	White	220V	AC/DC 220V
Other voltage can be made to order			

SPECIFICATIONS:

- 1.Switch Rating: AC220V/0.5A, DC110V/0.1A.
- 2.Mechanical Life: ≥500,000cycles.
- 3.Electrical Life: ≥50,000cycles.
- 4.Contact Resistance: ≤50mΩ.
- 5.Insulation Resistance: ≥1,000MΩ.
- 6.Dielectric Strength: 1,500V, RMS 50Hz, 1min.
- 7.Operating Temperature: -25°C~ +55°C(No Freezing).
- 8.Torque: About 0.8Nm max.applied to nut.
- 9.IP Class: IP40,IP67(Maintain can made to order).
- 10.Terminal Type: Pin Terminal(2.8 x 0.5mm).

MATERIALS:

- 1.Contact: Silver alloy.
- 2.Button: Stainless Steel.
- 3.Body: Stainless Steel.
- 4.Base: PBT.

BRAND 品牌	ONPOW		红波按钮制造有限公司 ONPOW PUSH BUTTON MANUFACTURE CO.,LTD.	
USED 用途	THESE DRAWINGS AND SPECIFICATIONS ARE THE PROPERTY OF ONPOW PUSH BUTTON MANUFACTURE CO.,LTD. AND SHALL NOT BE REPRODUCED COPIED OR USED IN ANY MANNER WITHOUT THE PRIOR WRITTEN CONSENT OF ONPOW PUSH BUTTON MANUFACTURE CO.,LTD.		APPD 审核	CH 2020/04/26
FINISH 处理	SCALE 比例		CHKD 校对	NCH 2020/04/26
TITLE 名称		UNIT 单位	DR. 制图	ZPD 2020/04/26
DIMENSIONS		TOLERANCE	LAS1-AGQ Series selector switch	
0.00 TO 18.00mm		±0.43mm	SIZE 图纸	
18.01 TO 30.00mm		±0.52mm	A4	
30.01 TO 50.00mm		±0.62mm	DWG NO. 图号	
50.01 TO 80.00mm		±0.74mm	LAS1-AGQ-X三位置带灯	
FILE NAME 档案名称		SHEET 张	1 / 1	REV. 更改
LAS1-AGQ-X.DWG		1	1	1