

GSM Antenna

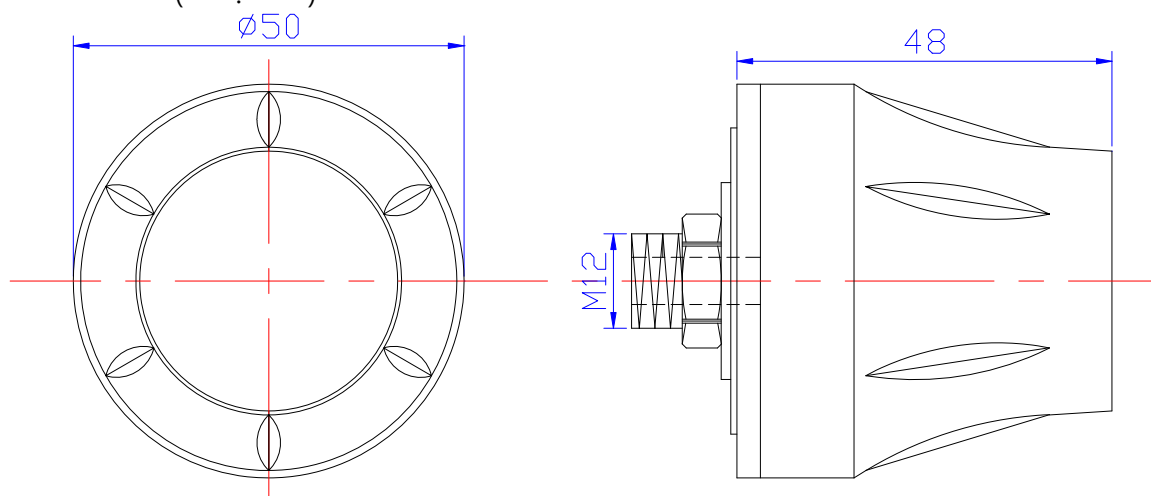
Model: GSM-ANT058



1 Part Number

GSM-ANT058

2 Dimension (Unit: mm)



3 Electrical Characteristics

3.1 GSM Antenna

Form 1

No.	Item	Specifications
1	Frequency	824~960 MHz/1710~2655 MHz
2	V.S.W.R (5m)	$\leq 2.0 \square 1 @ 824\sim 960 \text{ MHz}/1710\sim 2170 \text{ MHz}$ $\leq 3.0 \square 1 @ 2400 \sim 2500 \text{ MHz}$
3	Gain (Zenith)	2 dBi
4	Impedance	50 Ω

3.2 Mechanical

Form 2

No.	Item	Specification
1	Cable	RG174 3m/5m or others
2	Connector	SMA or others
3	Plastic Housing	Black
4	Mounting	Screw