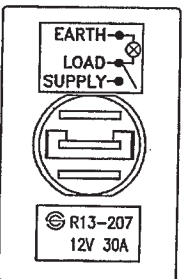
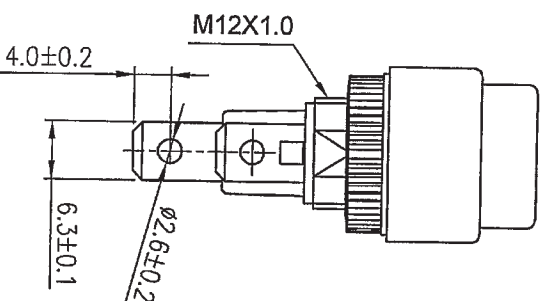
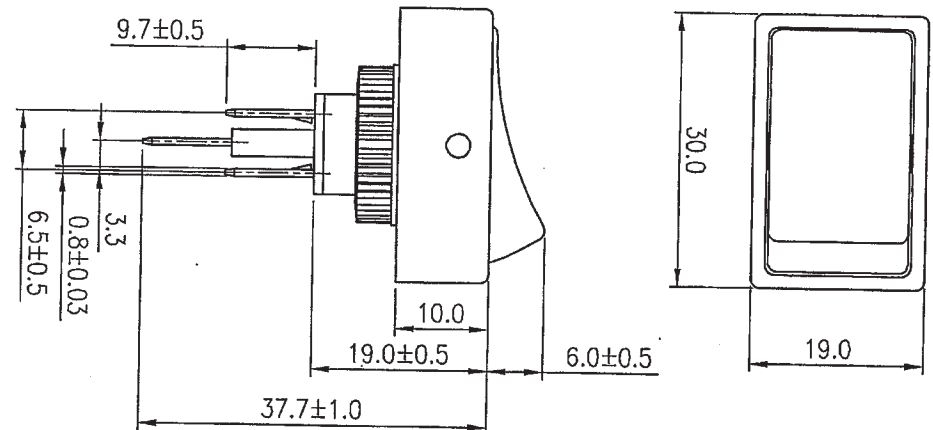


Rating	30A 12VDC	Mounting Hole	Circuit Diagram
Contact Resistance	50m ohm Max.		
Insulation Resistance	DC 500V .100M ohm Min.		
Dielectric Strength	AC 1500V 1 minute		
Switch Function	3P SPST ON-OFF (Bulb dependent)		

Material:  
Frame: Black, Nylon#66  
Actuator: Green Clear, PC  
Printed: None



Tolerances  $\pm 0.3$  Unless Otherwise Specified

Date	Name	Description		No.		
Drawn	Checked	Approved	SCI BOM No.	1820972	Model Name	ROCKER SWITCH
何珮	周志強	Shinica	Customer No.		Model No.	R13-207B-01
05/21/16	6/1-16	6/1-16	Unit	mm	Shin Chin Industrial Co., Ltd.	
					Rev.	0