

VARISTOR



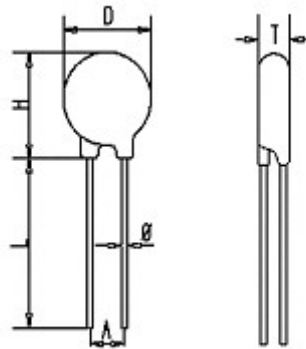
VAR20 Series

VAR20 Series varistors Size (mm)

Dmax	23
Hmax	25
Lmin	25
A±1	10
□±0.02	1

VAR20 Series varistor thickness Tmax(mm)

VAR20-150	5.5
VAR20-250 – VAR20-300	6.0
VAR20-385 – VAR20-420	7.0
VAR20-460 – VAR20-510	7.5
VAR20-550	8.0



Part No.	Varistor Voltage	Max.Allowable Voltage		Max.Clamping Voltage (8/20μS)		Energy (J)		Peak Current (8/20μS)		Rated Wattage	Capacitance
	V1mA (v)	Acrms (v)	DC (v)	Vc (v)	Ip (A)	10/1000 μS	2ms	1time (kA)	2times (kA)	(W)	1kHz (pF)
VAR20-150	216-264	150	200	395	100	200	140	10	7	1.0	1,500
VAR20-250	351-429	250	320	650	100	275	195	10	7	1.0	1,180
VAR20-275	387-473	275	350	710	100	303	215	10	7	1.0	1,100
VAR20-300	423-517	300	385	775	100	350	250	10	7	1.0	1,050
VAR20-385	558-682	385	505	1025	100	390	280	10	7	1.0	950
VAR20-420	612-748	420	560	1120	100	400	290	10	7	1.0	900
VAR20-460	657-825	460	615	1240	100	420	300	10	7	1.0	850
VAR20-485	702-858	485	640	1290	100	445	315	10	7	1.0	750
VAR20-510	738-902	510	670	1355	100	460	325	10	7	1.0	700
VAR20-550	819-1001	550	745	1500	100	510	350	10	7	1.0	600