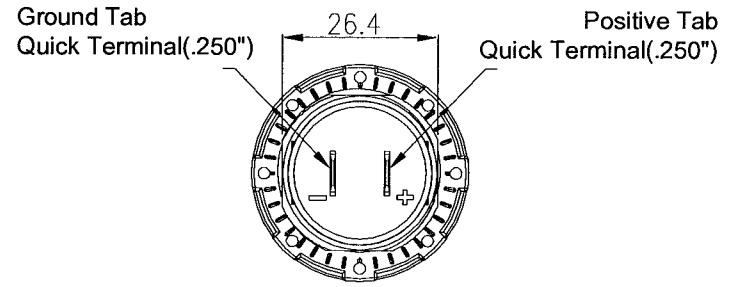
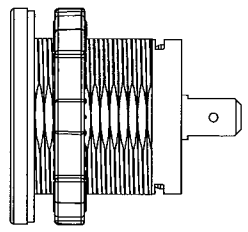
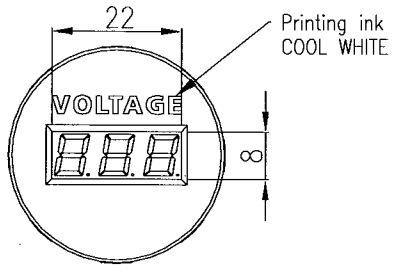
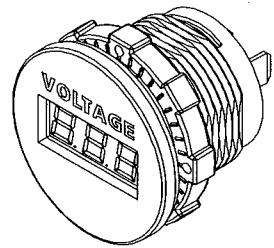
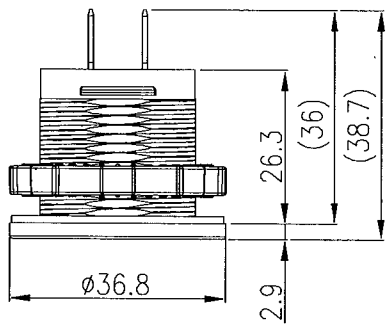
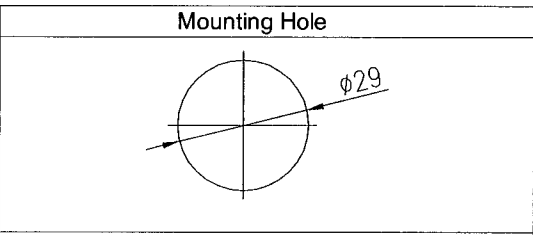


Rating	Input: 6V-33V DC Voltage Tolerance: +/- 1% (0.1V @ 12V, 0.2V @ 24V) LED display. Reverse polarity protection Surge protection up to 400W/35V
Insulation Resistance	DC 500V 100MΩ Min.
Operating Temperature	-20°C~50°C



Tolerances ±0.3 Unless Otherwise Specified

			△	Drawn	Checked	Approved	SCI BOM No.	1570003	Model Name	DC Voltmeter	
			△	Rock Hsu	2016.1.04		Customer No.		Model No.	A25-1-BB3-U	Rev.
Date	Name	Description	No.	12/31/15	蘇承民		Unit	mm	Shin Chin Industrial Co., Ltd.		0