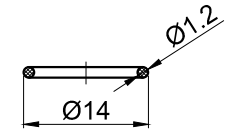
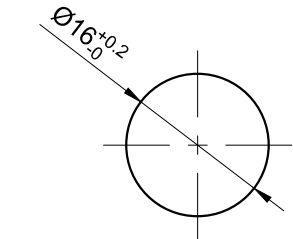
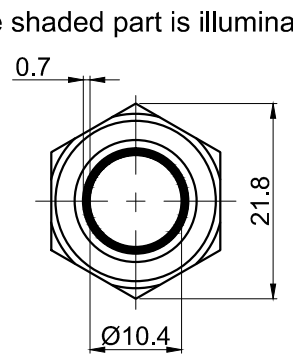
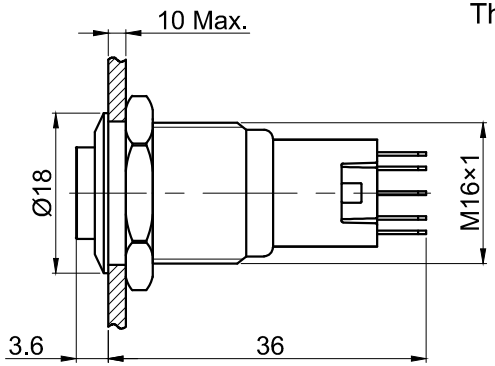
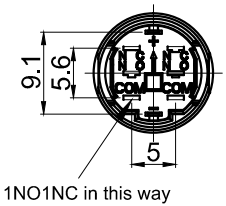
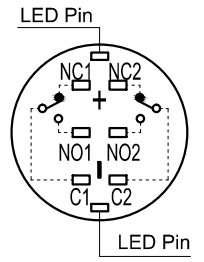


FOR 客户名称	APPROVED 客户确认签字	ATTN 销售负责人



Seal Ring



Contact Composition

Part Number: LAS2GQH-□■E/△/▲/◎/☆

"□"	Contact structure	"■"	Operation mode	"△"	Lamp Color	"▲"	Lamp Voltage	"◎"	Crust material
11	1NO1NC	No Letter	Momentary	R	Red	6V	AC/DC 6V	S	Stainless steel
22	2NO2NC	Z	Latching	G	Green	12V	AC/DC 12V	A	Al alloy(black)
				Y	Yellow	24V	AC/DC 24V	N	Nickel Plated Brass
				B	Blue	110V	AC/DC 110V	"☆"	IP Class
				W	White	220V	AC/DC 220V	No Letter	IP40
						Other voltage can be made to order		P	IP65
								FP	IP67

**SPECIFICATIONS:**

- 1.Switch Rating: AC220V/0.5A, DC110V/0.1A.
- 2.Mechanical Life: ≥1,000,000cycles.
- 3.Electrical Life: ≥50,000cycles.
- 4.Contact Resistance: ≤50mΩ.
- 5.Insulation Resistance: ≥1,000MΩ.
- 6.Dielectric Strength: 1,500V, RMS 50Hz, 1min.
- 7.Operating Temperature: -25°C~ +55°C(No Freezing).
- 8.Operating Force: About 1.2~1.8N(1NO1NC), About 1.4~2N(2NO2NC).
- 9.Operating Travel: About 2.3mm.
- 10.Torque: About 0.6Nm max.applied to nut.
- 11.Protection degree: IP40/IP65/IP67;IK09.
- 12.Terminal Type: Pin Terminal(1.8 x 0.4mm), LED Pin(1.8 x 0.3mm).

**MATERIALS:**

- 1.Contact: Silver alloy.
- 2.Button: ◎.
- 3.Body: ◎.
- 4.Base: PA.

BRAND 品牌 <b>ONPOW</b>	<b>红波按钮制造有限公司</b> ONPOW PUSH BUTTON MANUFACTURE CO.,LTD.		
	USED 用途	APPD 审核	CH 2020/04/23
THESE DRAWINGS AND SPECIFICATIONS ARE THE PROPERTY OF ONPOW PUSH BUTTON MANUFACTURE CO.,LTD. AND SHALL NOT BE REPRODUCED COPIED OR USED IN ANY MANNER WITHOUT THE PRIOR WRITTEN CONSENT OF ONPOW PUSH BUTTON MANUFACTURE CO.,LTD.	FINISH 处理	CHKD 校对	NCH 2020/04/23
	SCALE 比例	UNIT 单位	DR. 制图
	1.2 / 1	mm	ZPD 2020/04/23
DIMENSIONS	TOLERANCE	TITLE 名称	
0.00 TO 18.00mm	±0.43mm	GQ Series Anti-vandal push button	
18.01 TO 30.00mm	±0.52mm	DWG NO. 图号	SIZE 图纸
30.01 TO 50.00mm	±0.62mm	LAS2GQH-E	
50.01 TO 80.00mm	±0.74mm	FILE NAME 档案名称	SHEET 张
		LAS2GQH带灯.DWG	1 / 1
		REV. 更改	1