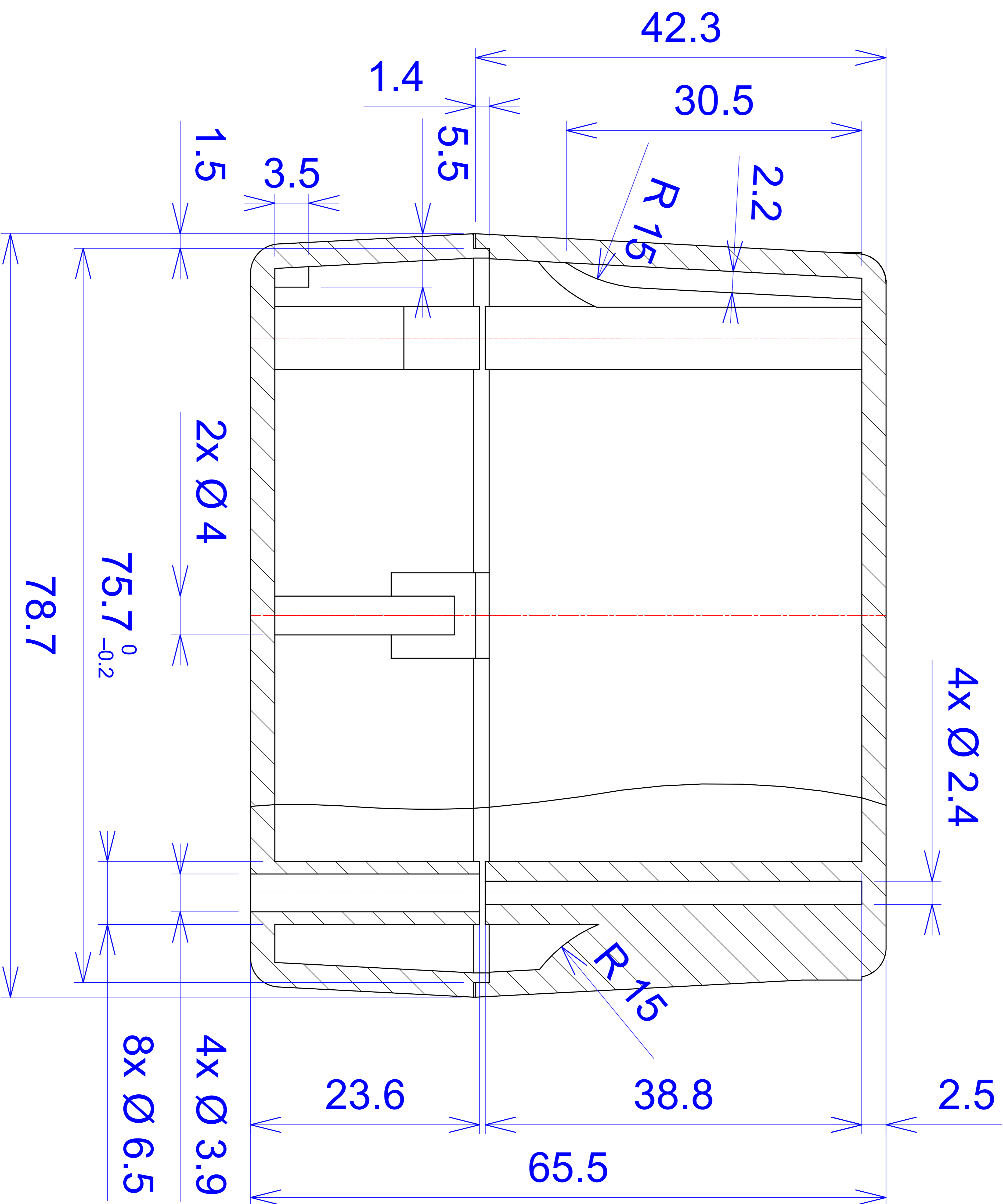
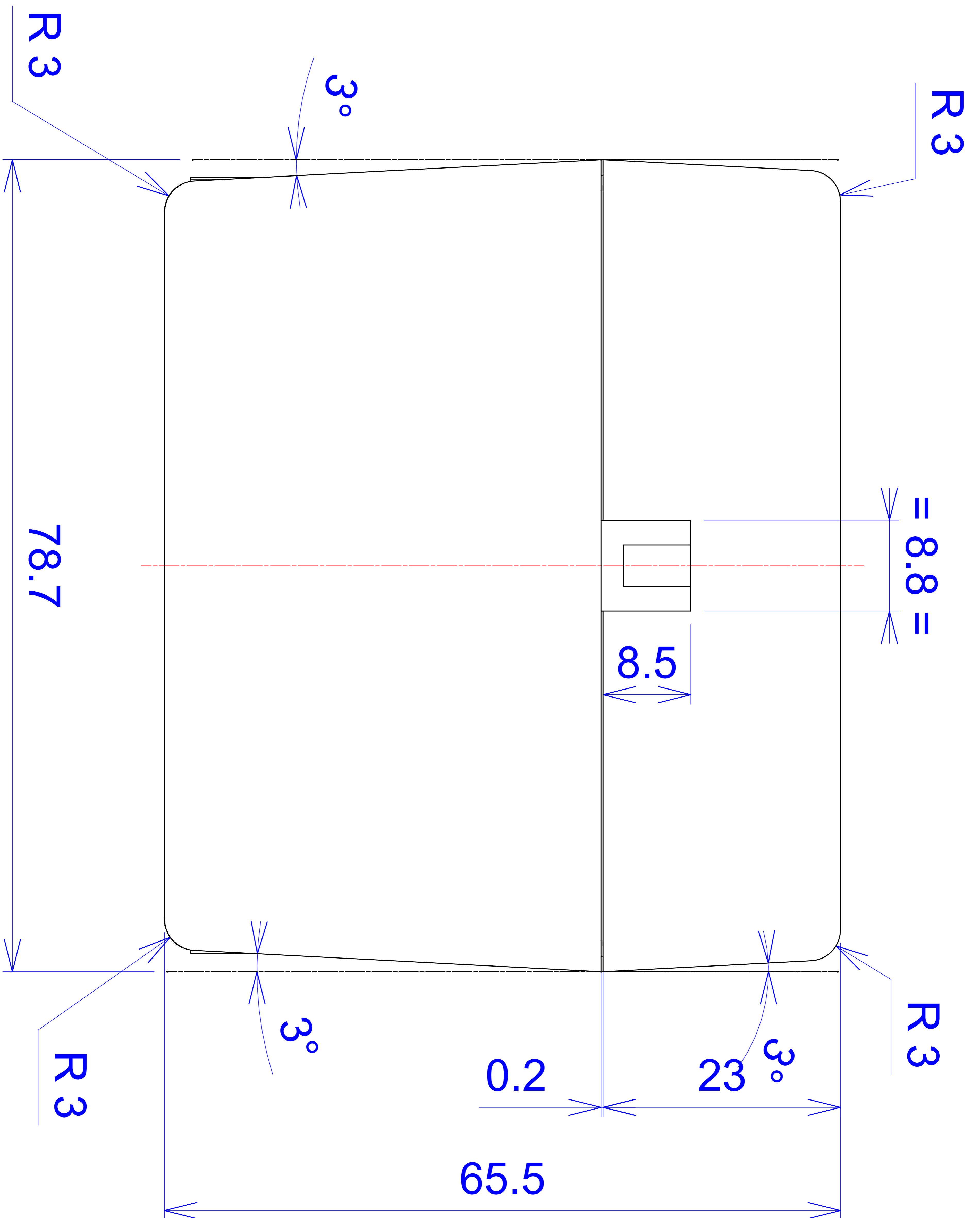
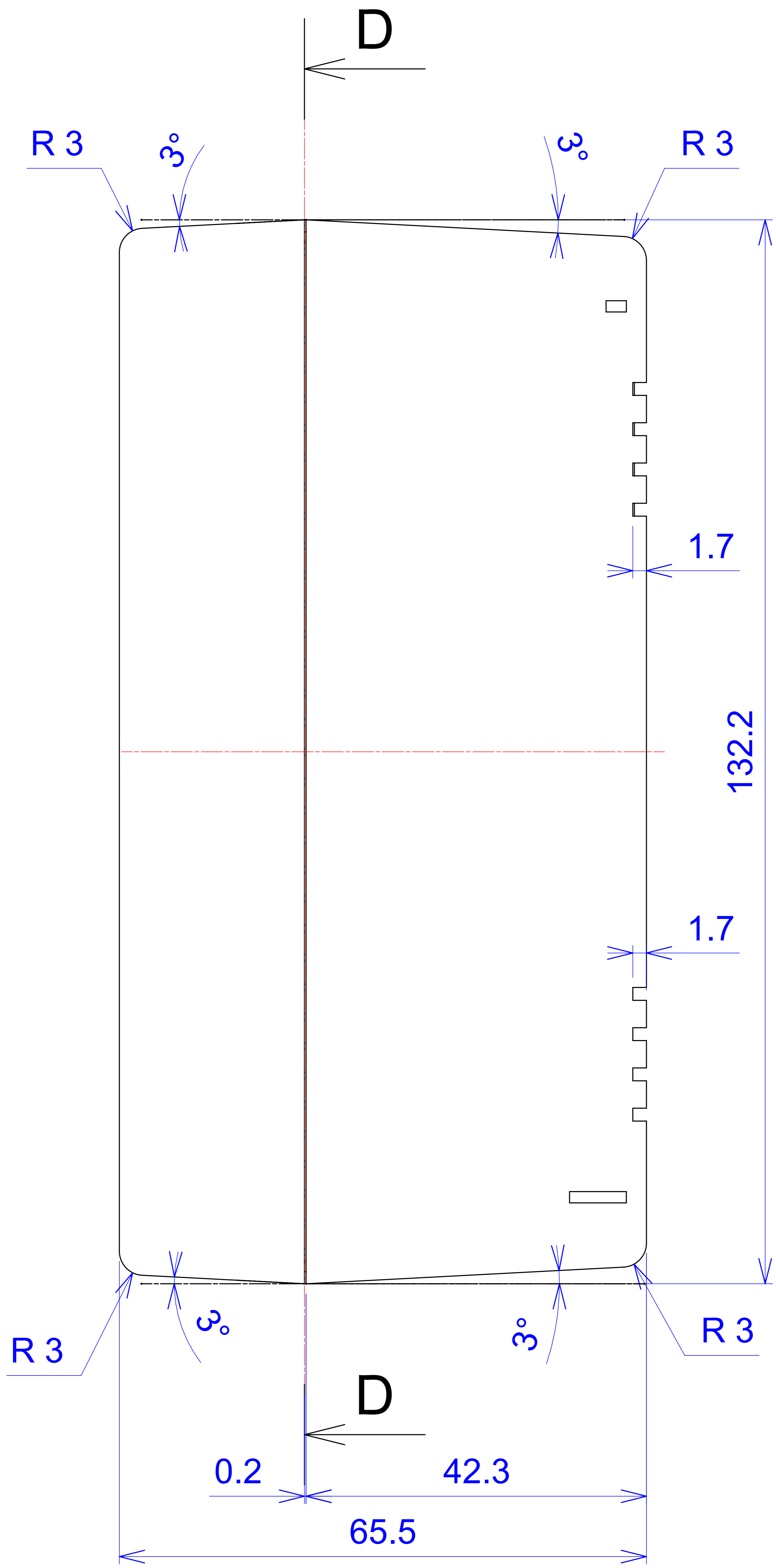
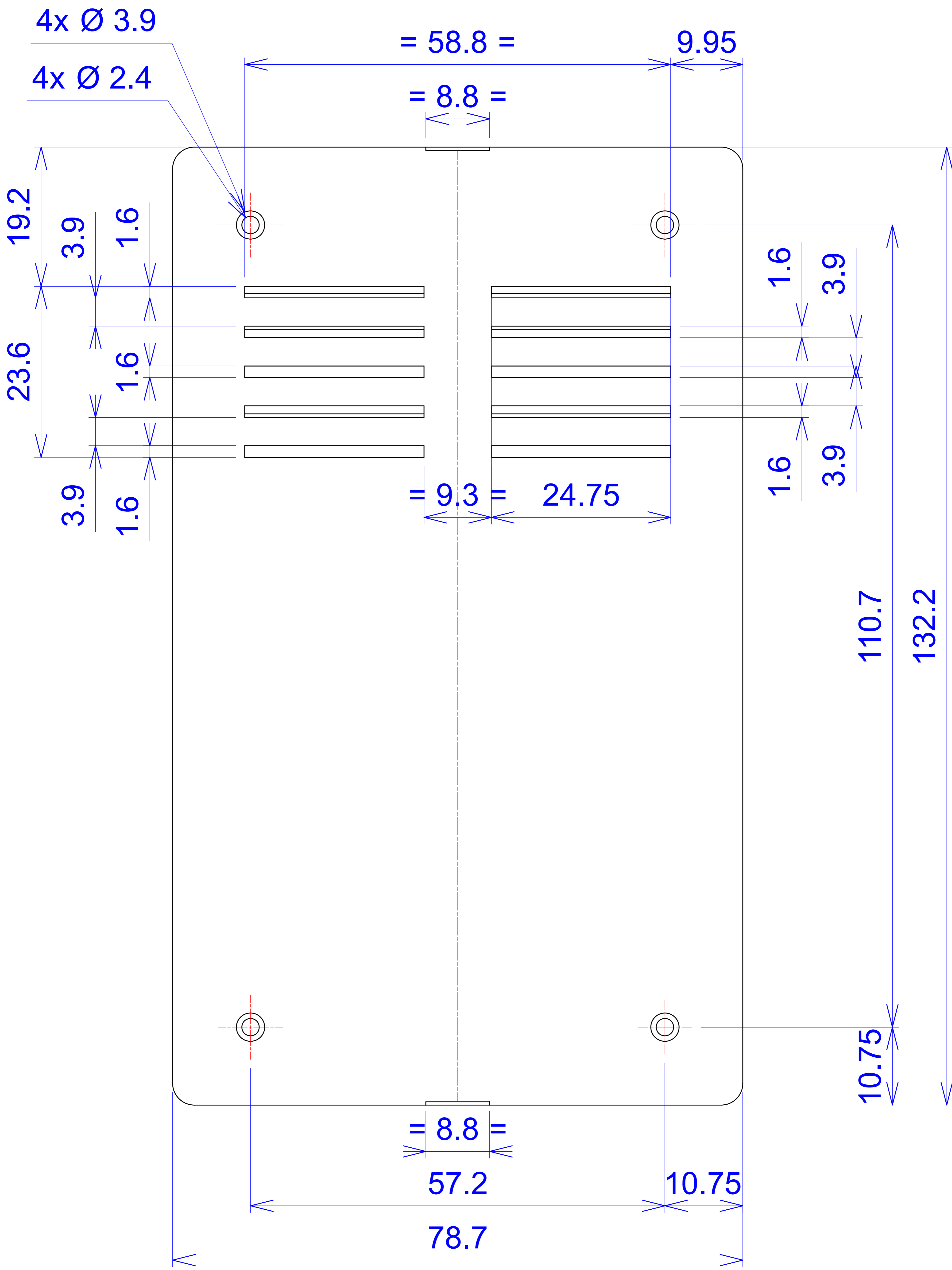


# B - B









C - C

4x Ø 6.5

4x Ø 3.9

4x Ø 2.4

75.7<sup>0</sup><sub>-0.2</sub>

1.5

4x R 3

1

1

32.5

1

1.3

5.5

1.3

129.2<sup>0</sup><sub>-0.2</sub>

110.7

132.2

1.4

0.7

10.75

1.5

1

2.5

57.2

10.75

78.7

