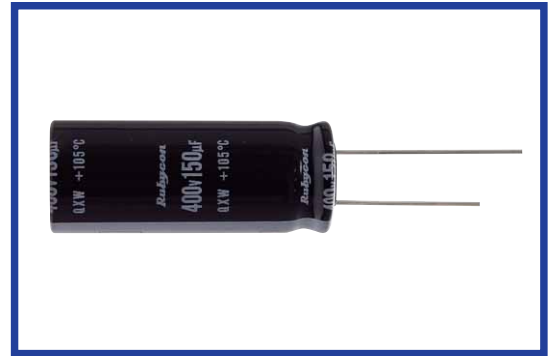


QXW SERIES
UPGRADE
105°C 2000 hours, Ultra Miniaturized
◆FEATURES

- Load Life : 105°C 2000 hours. (Temperature Range:-40°C~+105°C)
- Body diameter of $\phi 8\text{mm}$ to $\phi 18\text{mm}$ with high ripple current capability.
- This series is one class smaller than KXW series.
- RoHS compliance.


◆SPECIFICATIONS

Items	Characteristics								
Category Temperature Range	-40~+105°C								
Rated Voltage Range	400~450Vdc								
Capacitance Tolerance	±20% (20°C, 120Hz)								
Leakage Current(MAX)	$I=3\sqrt{CV}$ (After 5 minutes application of rated voltage) I =Leakage Current(μA) C =Capacitance(μF) V =Rated Voltage(Vdc)								
(tan δ) Dissipation Factor(MAX)	<table border="1"> <thead> <tr> <th>Rated Voltage (Vdc)</th> <th>400</th> <th>420, 450</th> <th>(20°C, 120Hz)</th> </tr> </thead> <tbody> <tr> <td>tanδ</td> <td>0.15</td> <td>0.20</td> <td></td> </tr> </tbody> </table>	Rated Voltage (Vdc)	400	420, 450	(20°C, 120Hz)	tan δ	0.15	0.20	
Rated Voltage (Vdc)	400	420, 450	(20°C, 120Hz)						
tan δ	0.15	0.20							
Endurance	After applying rated voltage with rated ripple current for 2000 hours at 105°C, the capacitors shall meet the following requirements. <table border="1"> <tbody> <tr> <td>Capacitance Change</td> <td>Within ±20% of the initial value.</td> </tr> <tr> <td>Dissipation Factor</td> <td>Not more than 200% of the specified value.</td> </tr> <tr> <td>Leakage Current</td> <td>Not more than the specified value.</td> </tr> </tbody> </table>	Capacitance Change	Within ±20% of the initial value.	Dissipation Factor	Not more than 200% of the specified value.	Leakage Current	Not more than the specified value.		
Capacitance Change	Within ±20% of the initial value.								
Dissipation Factor	Not more than 200% of the specified value.								
Leakage Current	Not more than the specified value.								
Low Temperature Stability Impedance Ratio(MAX)	<table border="1"> <thead> <tr> <th>Rated Voltage (Vdc)</th> <th>400</th> <th>420, 450</th> <th>(120Hz)</th> </tr> </thead> <tbody> <tr> <td>Z(-25°C)/Z(20°C)</td> <td>5</td> <td>6</td> <td></td> </tr> </tbody> </table>	Rated Voltage (Vdc)	400	420, 450	(120Hz)	Z(-25°C)/Z(20°C)	5	6	
Rated Voltage (Vdc)	400	420, 450	(120Hz)						
Z(-25°C)/Z(20°C)	5	6							

◆MULTIPLIER FOR RIPPLE CURRENT

Frequency (Hz)	60(50)	120	500	1k	10k \leq
Coefficient	0.80	1.00	1.25	1.40	1.50

◆OPTION

Option	Code
PET Sleeve (-40~+105°C)	EFR*

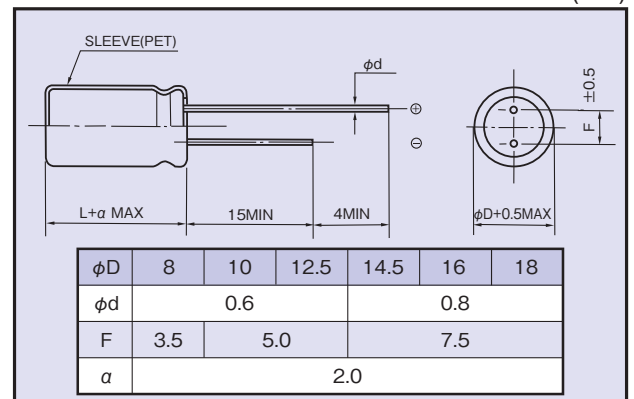
*PET Sleeve -25~+105°C (EFC) is also available, please consult our sales offices.

◆PART NUMBER

□□□	QXW	□□□□□	M	□□□	□□	D×L
Rated Voltage	Series	Capacitance	Capacitance Tolerance	Option	Lead Forming	Case Size

◆DIMENSIONS

(mm)



◆STANDARD SIZE

Rated Voltage (Vdc)	Capacitance (μF)	Size φD×L (mm)	Rated Ripple Current (A r.m.s./105°C,120Hz)
400	18	8×25	0.19
	22	8×30	0.22
	27	8×35	0.25
	33	8×45	0.33
	33	10×30	0.33
	39	8×50	0.35
	39	10×35	0.37
	47	10×40	0.43
	56	10×45	0.48
	56	12.5×30	0.47
	68	12.5×35	0.54
	82	12.5×40	0.62
	82	14.5×31.5	0.61
	100	12.5×50	0.73
	100	14.5×35	0.70
	100	16×31.5	0.71
	120	14.5×40	0.79
	120	16×35	0.80
	150	14.5×50	0.94
	150	16×40	0.92
150	18×31.5	0.89	
180	16×50	1.08	
180	18×40	1.06	
220	18×45	1.20	
420	15	8×25	0.12
	18	8×30	0.14
	22	8×40	0.22
	27	8×45	0.26
	33	10×30	0.32
	39	10×35	0.36
	47	10×40	0.41
	56	10×50	0.49
	56	12.5×30	0.46
	68	12.5×35	0.53
	82	12.5×45	0.63
	82	14.5×31.5	0.60
	100	12.5×50	0.71
	100	14.5×40	0.72
	100	16×31.5	0.69
	120	14.5×45	0.81
	120	16×35	0.78
	120	18×31.5	0.80
	150	16×45	0.94
	150	18×35	0.92
180	16×50	1.05	
180	18×40	1.04	
220	18×50	1.22	

Rated Voltage (Vdc)	Capacitance (μF)	Size φD×L (mm)	Rated Ripple Current (A r.m.s./105°C,120Hz)
450	12	8×25	0.15
	15	8×30	0.17
	18	8×35	0.19
	22	8×45	0.23
	27	10×30	0.30
	33	10×35	0.34
	39	10×40	0.39
	47	10×45	0.44
	47	12.5×30	0.43
	56	12.5×35	0.49
	68	12.5×40	0.56
	68	14.5×31.5	0.56
	82	12.5×45	0.63
	82	14.5×35	0.63
	82	16×31.5	0.64
	100	14.5×40	0.72
	100	16×35	0.73
	120	14.5×50	0.85
	120	16×40	0.82
	120	18×31.5	0.80
	150	16×50	0.98
	150	18×40	0.97
	180	18×45	1.09
	220	18×50	1.22