

NOTES:

1. MATERIALS AND FINISHES:
 BODY, SHELL, RETAINING RING
 WASHER & FERRULE - BRASS, NICKEL PLATING
 CONTACT - BRASS, GOLD PLATING
 INSULATOR - PTFE, NATURAL
 RING - DELRIN, NATURAL
 GASKET - RUBBER, RED
2. ELECTRICAL:
 A. IMPEDANCE: 50 OHM
3. MECHANICAL:
 A. DURABILITY: 500 CYCLES MIN.
 B. TEMPERATURE RANGE: -65°C TO +165°C

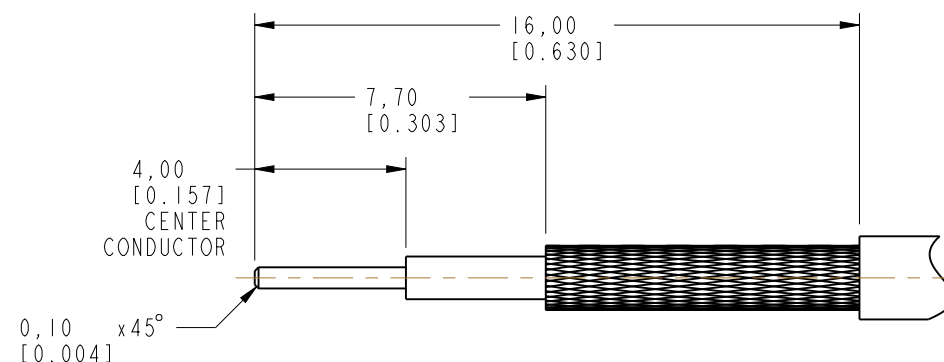
4. PACKAGING:
 A. QUANTITY: SINGLE PACK
 B. MARKING: BAG TO BE MARKED
 "AMPHENOL RF, 122108, AND DATE CODE"
5. CABLE ASSEMBLY INSTRUCTIONS:
 A. TRIM CABLE AS SHOWN.
 B. SLIDE FERRULE ONTO CABLE.
 C. CRIMP CONTACT TO CABLE CENTER CONDUCTOR
 WITH 0.068" HEX DIE
 D. CRIMP FERRULE WITH 0.213" HEX DIE.

6 SHOWS CABLE ENTRY DIMENSIONS.

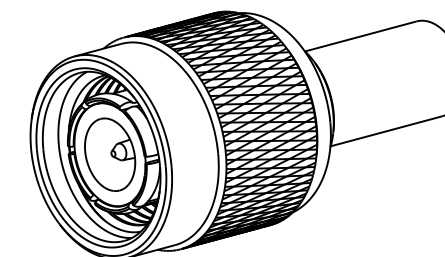
THIRD ANGLE PROJ.

REVISIONS

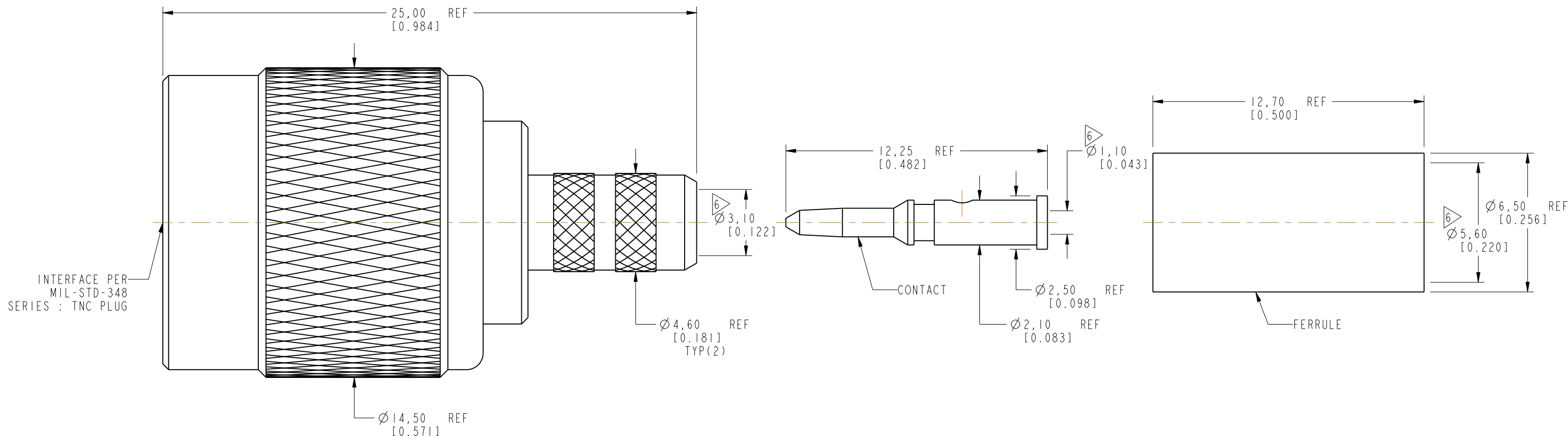
REV	DESCRIPTION	DATE	ECO	APPR
A	MODIFY CONTACT PIN LENGTH 12.25 MM	23-Dec-02	--	--
C	Ø 5.60 WAS Ø 5.33, Ø 6.50 WAS Ø 6.48, NOTES & FORMAT UPDATED	09-Nov-16	2383	VK



RECOMMENDED CABLE STRIPPING DIMENSIONS



SCALE 2.000



CUSTOMER OUTLINE DRAWING

ALL OTHER SHEETS ARE FOR INTERNAL USE ONLY

UNLESS OTHERWISE SPECIFIED, DIMENSIONS ARE IN METRIC AND TOLERANCES ARE:
 <0.5mm ± 0.05mm 0.5 - 6mm ± 0.1mm 6 - 30mm ± 0.2mm 30 - 120mm ± 0.3mm ANGLES ± 1°

NOTICE - These drawings, specifications, or other data (1) are, and remain the property of Amphenol corp. (2) must be returned upon request; and (3) are confidential and not to be disclosed to any person other than those to whom they are given by Amphenol Corp. the furnishing of these drawings, specifications, or other data by Amphenol Corp., or to any other person to anyone for any purpose is not to be regarded by implication or otherwise in any manner licensing, granting rights to permitting such holder or any other person to manufacture, use or sell any product, process or design, patented or otherwise, that may in any way be related to or disclosed by said drawings, specifications, or other data.

MATERIAL	SEE NOTES
REFERENCE EAR #	
CONFIGURATION LEVEL:	In Work
FINISH	

DRAWN	VIJI K	DATE	11-Oct-16
ENGINEER	VIJI K	DATE	11-Oct-16
APPROVED	K.CAPOZZI	DATE	09-Nov-16
CAD FILE			

TITLE	
TNC STR CRIMP PLUG FOR RG 58, 58A, 141 & LMR 195 CABLE	
SCALE: 6.0:1.0	SHEET 2 OF 2
DWG SIZE B	REV C

Amphenol RF	
www.amphenolrf.com	
DRAWING NO. 122108	
ITEM NO. 122108	
PART NO. 122108	