



Oscar 20A

2G/3G/4G/5G High Gain Yagi Antenna



Key Features

- 7-10dB peak gain
- Small size
- Highly sensitive
- Extended Freq Coverage
 - › 600-960MHz
 - › 1710-2170MHz
 - › 2200-2400MHz
 - › 2500-2700MHz
 - › 3300-3500MHz

General Description

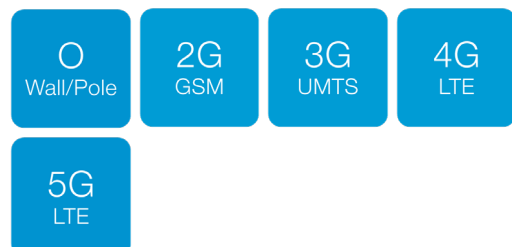
The Oscar 20A antenna is a high gain, quad band 2G/3G/4G and 5G LTE antenna generally used in fixed locations where the base station direction is known.

The advantage of using a yagi type antenna is to improve performance over omnidirectional antennas whilst keeping the size in a small format.

See the Snyder cellular signal tester for a tool to locate the best base station in your area.

Additional Considerations

- High performance for fringe coverage areas
- Suitable for both indoor and outdoor use
- Meets all EU compliance criteria for electronic goods





Oscar 20A

2G/3G/4G/5G High Gain Yagi Antenna

Electrical Specifications

Operating Temperature:	-30 - +70°C
Storage Temperature:	-40 - +80°C
Peak Gain:	7 - 10dB
VSWR:	<1.3:1
Operating Frequencies:	600-960MHz 1710-2170MHz 2200/2400MHz 2500/2700MHz 3300/3500MHz
Polarization:	Vertical
Maximum Power Rating	50 W

Mechanical Specifications

Dimensions:	L170 x W147 x H35mm
Antenna Connector:	SMA Female
Cable:	RG58 type with SMA Male connector

Return Loss and VSWR with 5m cable

Frequency MHz	Return Loss dB (5m)	VSWR dB (5m)
600	-16.315	1.361
635	-33.041	1.046
746	-26.858	1.095
827	-22.899	1.154
960	-11.301	1.747
1700	-25.684	1.110
1800	-15.680	1.393
1945	-31.158	1.057
2000	-25.755	1.109
2170	-19.356	1.241
2200	-14.839	1.442
2250	-16.345	1.359
2300	-21.995	1.173
2350	-15.654	1.395
2400	-14.976	1.434
2500	-18.922	1.256
2550	-19.901	1.225
2610	-27.468	1.088
2664	-27.775	1.085
2700	-22.522	1.162



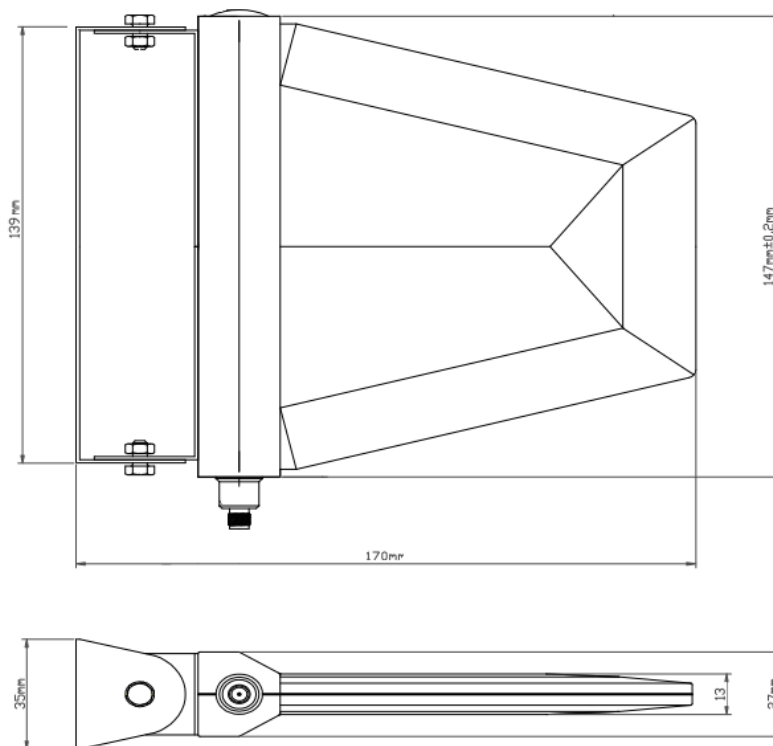
Oscar 20A

2G/3G/4G/5G High Gain Yagi Antenna

Return Loss and VSWR cont.

Frequency MHz	Return Loss dB	VSWR dB
3300	-26.151	1.104
3350	-21.712	1.179
3389	-26.288	1.102
3448	-25.003	1.119
3500	-22.373	1.165

Dimensions



Ordering Details

Part Number	Description
OSCAR20A/X/SMAF/S/S/15	2G/GPRS, 3G/UMTS, 4G/5G/LTE Yagi Antenna SMA Female No Cable
OSCAR20A/5M/SMAM/S/S/15	2G/GPRS, 3G/UMTS, 4G/5G/LTE Yagi Antenna with 5M RG58 cable SMA Male